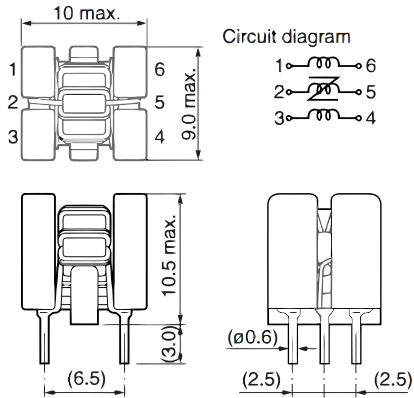


KEMET Part Number: SH-S132
(UDLSH00S132000)

KEMET, SH, DC Line Filters, Common Mode, 1700 nH



Dimensions	
L	9mm MAX
W	10mm MAX
H	10.5mm MAX
LL	3mm +/-0.7mm
S	6.5mm MAX

Packaging Specifications	
Weight:	1 g

General Information	
Series:	SH
Style:	Through-Hole
RoHS:	Yes
Miscellaneous:	For 3 Lines

Specifications	
Voltage DC:	50 VDC
Inductance:	1.7 uH
Temperature Range:	-25/+80°C
DC Resistance:	81 mOhms