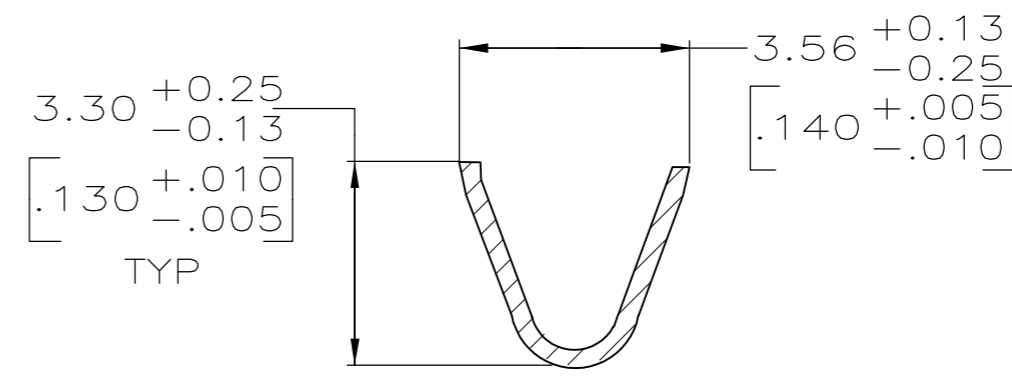
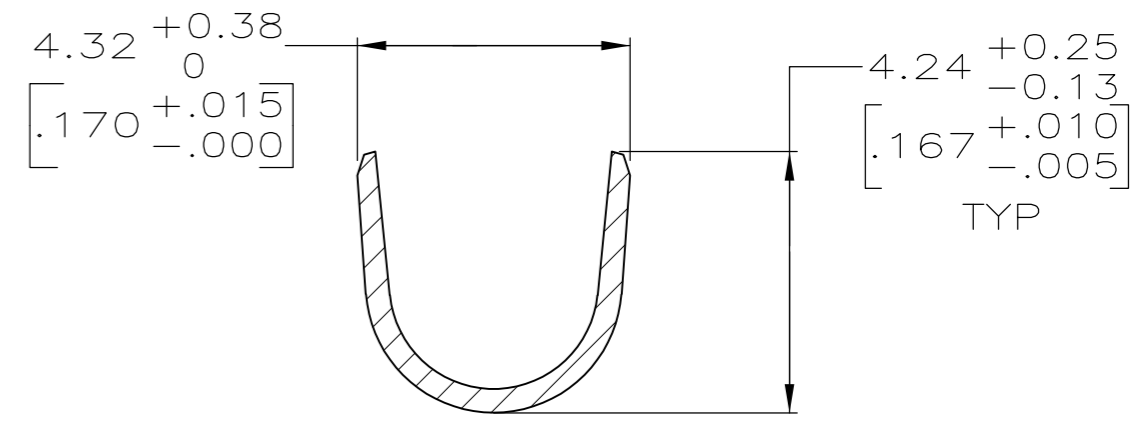
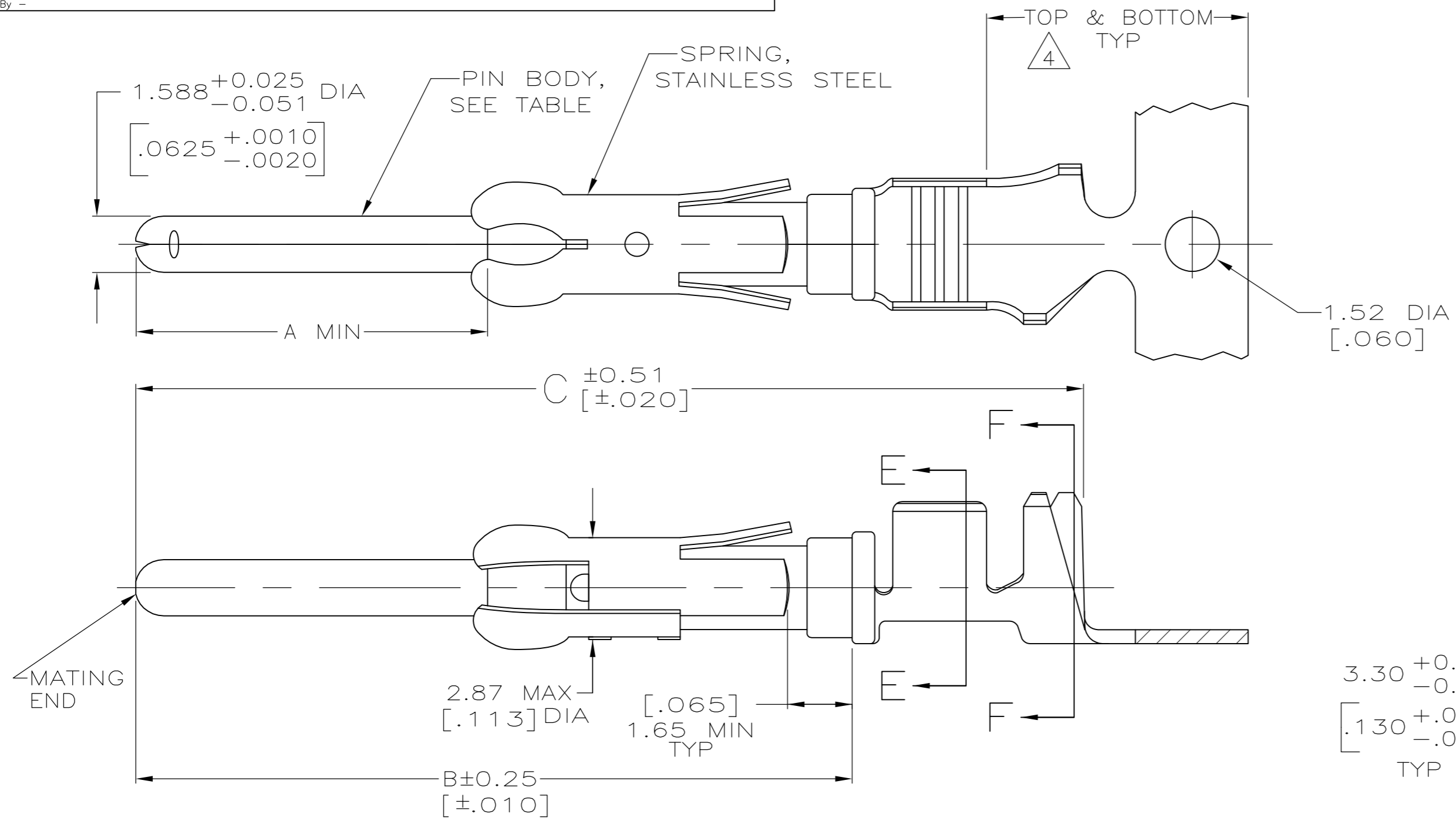


THIS DRAWING IS UNPUBLISHED. RELEASED FOR PUBLICATION
 © COPYRIGHT - By - ALL RIGHTS RESERVED.

LOC		DIST		REVISIONS			
P	LTR	DESCRIPTION	DATE	DWN	APVD		
FT	0	W	REVISED PER ECO-12-012316	05JUL12	KH	MZ	



- 1 REELED FOR MINI-APPLICATOR.
- 2 $0.76\mu\text{m}$ $[\pm.000030]$ MIN PRECIOUS METAL PLATE ON MATING END FOR A LENGTH OF 5.08 $[\pm.200]$ MIN OVER $1.27\mu\text{m}$ $[\pm.000050]$ MIN NICKEL PLATE. GOLD FLASH ALL OVER. CONFORMS TO THE REQUIREMENTS OF TE CONNECTIVITY PRODUCT SPEC 108-10042, BASED ON EIA/ECA-364-1000.01A (CONTROLLED ENVIRONMENT APPLICATIONS).
- 3 $1.27\mu\text{m}$ $[\pm.000050]$ MIN TIN-LEAD PER MIL-T-10727 OVER $1.27\mu\text{m}$ $[\pm.000050]$ MIN NICKEL PER QQ-N-290.
- 4 GOLD PLATING NEED NOT APPEAR IN THIS AREA.
- 5 BRASS
- 6 PHOSPHOR BRONZE
- 7 WIRE RANGE 14-18 AWG.
- 8 INSULATION RANGE $2.79[\pm.110]$ - $3.81[\pm.150]$ DIA.
- 9 $0.38\mu\text{m}$ $[\pm.000015]$ MIN GOLD PER MIL-G-45204 ON MATING END FOR A LENGTH OF 5.08 $[\pm.200]$ MIN, $1.27\mu\text{m}$ $[\pm.000050]$ MIN TIN-LEAD PER MIL-T-10727 FOR A LENGTH OF 5.69 $[\pm.224]$ MIN ON OPPOSITE END, BOTH OVER $1.27\mu\text{m}$ $[\pm.000050]$ MIN NICKEL PER QQ-N-290 ON ENTIRE CONTACT.
- 10 OBSOLETE PART NUMBER.
- 11 $1.27\mu\text{m}$ $[\pm.000050]$ MIN TIN PER MIL-T-10727 OVER $1.27\mu\text{m}$ $[\pm.000050]$ MIN NICKEL PER Q-N-290.
- 12 COPPER NICKEL ALLOY.
- 13 $0.38\mu\text{m}$ $[\pm.000015]$ MIN GOLD PER MIL-G-45204 ON MATING END FOR A LENGTH OF 5.08 $[\pm.200]$ MIN. WITH GOLD FLASH ON THE REMAINDER, OVER $1.27\mu\text{m}$ $[\pm.000050]$ MIN NICKEL PER QQ-N-290.
- 14 PRELIMINARY - NOT FOR PRODUCTION.

- 15 OBSOLETE PARTS: OBSOLETE CIS STREAMLINING PER D.RENAUD/D.SINISI
- 16 $0.76\mu\text{m}$ $[\pm.000030]$ MIN PRECIOUS METAL PLATE ON MATING END FOR A LENGTH OF 5.08 $[\pm.200]$ MIN WITH $1.27\mu\text{m}$ $[\pm.000050]$ MIN MATTE TIN PLATE IN WIRE CRIMP AREA, BOTH OVER $1.27\mu\text{m}$ $[\pm.000050]$ MIN NICKEL PLATE. CONFORMS TO THE REQUIREMENTS OF TE CONNECTIVITY PRODUCT SPEC 108-10042, BASED ON EIA/ECA-364-1000.01A (CONTROLLED ENVIRONMENT APPLICATIONS).

	C	B	A	REELING	PIN BODY FINISH	PIN BODY	LOOSE PIECE REF	PART NO
	26.75[1.053]	20.24[.797]	9.91[.390]	1	13	12	-	14 1-66597-2
	26.75[1.053]	20.24[.797]	9.91[.390]	1	11	12	1-66602-0	1-66597-1
	26.75[1.053]	20.24[.797]	9.91[.390]	1	2	12	66602-9	1-66597-0
15 OBSOLETE	26.75[1.053]	20.24[.797]	9.91[.390]	1	11	6	-	66597-9
	26.75[1.053]	20.24[.797]	9.91[.390]	1	11	5	66602-8	66597-8
OBSOLETE	26.75[1.053]	20.24[.797]	9.91[.390]	1	9	5	66602-5	66597-7
OBSOLETE	30.43[1.198]	23.93[.942]	13.59[.535]	1	3	5	-	66597-6
OBSOLETE	26.75[1.053]	20.24[.797]	9.91[.390]	1	2	6	66602-4	66597-5
OBSOLETE	26.75[1.053]	20.24[.797]	9.91[.390]	1	3	6	66602-3	66597-4
	26.75[1.053]	20.24[.797]	9.91[.390]	1	16	5	66602-2	66597-2
	26.75[1.053]	20.24[.797]	9.91[.390]	1	3	5	66602-1	66597-1

THIS DRAWING IS A CONTROLLED DOCUMENT.

DIMENSIONS: mm [INCHES]	TOLERANCES UNLESS OTHERWISE SPECIFIED: 0 PLC ± - 1 PLC ± - 2 PLC ± 0.13[.005] 3 PLC ± - 4 PLC ± - ANGLES ± -	DWN R.SHIREY 7-22-91 CHK R.STONE 8-15-91 APVD J.WESTMAN 8-19-91 PRODUCT SPEC APPLICATION SPEC	NAME Renaud/Sinisi
MATERIAL SEE CALLOUTS	FINISH SEE TABLE	WEIGHT -	SIZE A2 CAGE CODE 00779 DRAWING NO C=66597 RESTRICTED TO -
CUSTOMER DRAWING		SCALE 8:1	SHEET 1 of 1 REV W

TE Connectivity
 PIN ASSEMBLY, .062, TYPE III+