

# DU1260T



## RF Power MOSFET Transistor 60W, 2-175MHz, 12V

M/A-COM Products  
Released; RoHS Compliant

### Features

- N-Channel enhancement mode device
- DMOS structure
- Lower capacitances for broadband operation
- High saturated output power
- Lower noise figure than bipolar devices
- Specifically designed for 12 volt applications

### ABSOLUTE MAXIMUM RATINGS AT 25° C

Parameter	Symbol	Rating	Units
Drain-Source Voltage	$V_{DS}$	40	V
Gate-Source Voltage	$V_{GS}$	20	V
Drain-Source Current	$I_{DS}$	24	A
Power Dissipation	$P_D$	250	W
Junction Temperature	$T_J$	200	°C
Storage Temperature	$T_{STG}$	-55 to +150	°C
Thermal Resistance	$\theta_{JC}$	0.7	°C/W

### TYPICAL DEVICE IMPEDANCE

F (MHz)	$Z_{IN}$ ( $\Omega$ )	$Z_{LOAD}$ ( $\Omega$ )
30	4.5 - j8.0	4.6 - j3.0
100	1.4 - j4.0	1.4 - j8.0
175	1.0 - j0.5	1.0 - j0.5
$V_{DD} = 12V, I_{DQ} = 600mA, P_{OUT} = 60W$		

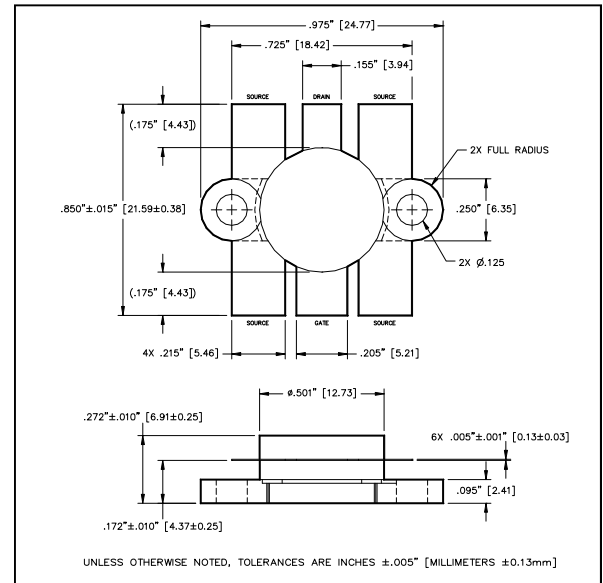
$Z_{IN}$  is the series equivalent input impedance of the device from gate to source.

$Z_{LOAD}$  is the optimum series equivalent load impedance as measured from drain to ground.

### ELECTRICAL CHARACTERISTICS AT 25°C

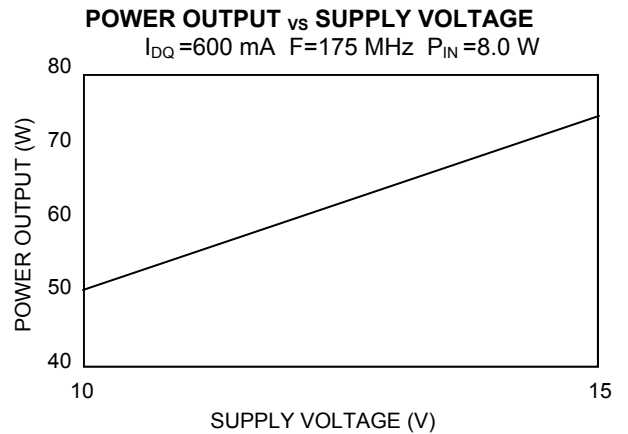
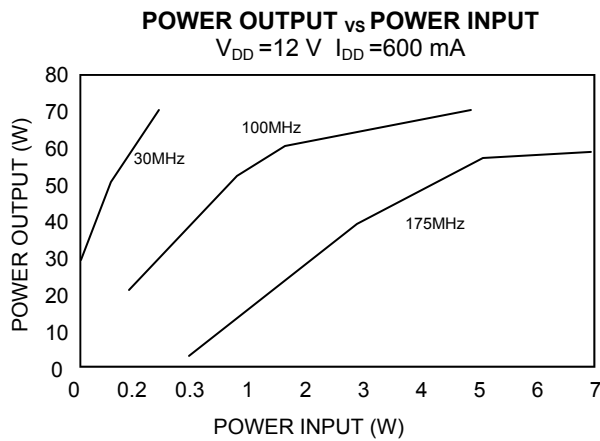
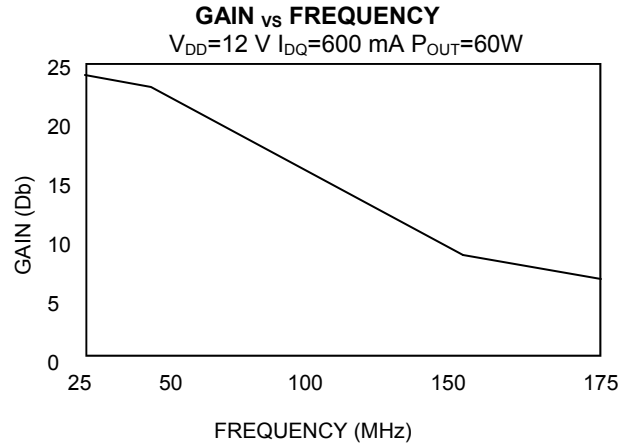
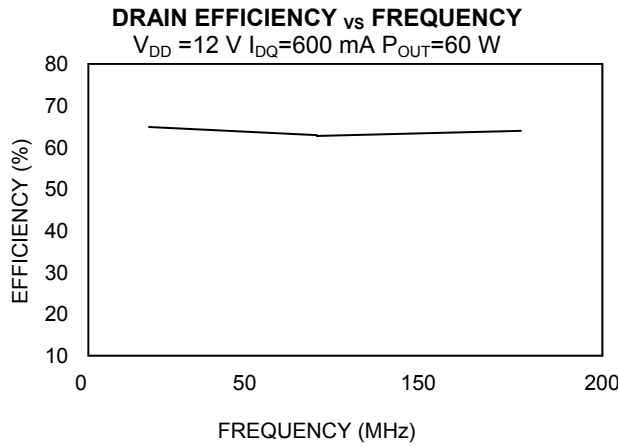
Parameter	Symbol	Min	Max	Units	Test Conditions
Drain-Source Breakdown Voltage	$BV_{DSS}$	40	-	V	$V_{GS} = 0.0 V, I_{DS} = 30.0 mA$
Drain-Source Leakage Current	$I_{DSS}$	-	6.0	mA	$V_{GS} = 15.0 V, V_{DS} = 0.0 V$
Gate-Source Leakage Current	$I_{GSS}$	-	6.0	$\mu A$	$V_{GS} = 20.0 V, V_{DS} = 0.0 V$
Gate Threshold Voltage	$V_{GS(TH)}$	2.0	6.0	V	$V_{DS} = 10.0 V, I_{DS} = 600 mA$
Forward Transconductance	$G_M$	3.0	-	S	$V_{DS} = 10.0 V, I_{DS} = 6000 mA, \Delta V_{GS} = 1.0 V$
Input Capacitance	$C_{ISS}$	-	200	pF	$V_{DS} = 12.0 V, F = 1.0 MHz$
Output Capacitance	$C_{OSS}$	-	240	pF	$V_{DS} = 12.0 V, F = 1.0 MHz$
Reverse Capacitance	$C_{RSS}$	-	48	pF	$V_{DS} = 12.0 V, F = 1.0 MHz$
Power Gain	$G_P$	8.0	-	dB	$V_{DD} = 12.0 V, I_{DQ} = 600 mA, P_{OUT} = 60 W F = 175 MHz$
Drain Efficiency	$\eta_D$	60	-	%	$V_{DD} = 12.0 V, I_{DQ} = 600 mA, P_{OUT} = 60 W F = 175 MHz$
Load Mismatch	VSWR-T	-	30:1	-	$V_{DD} = 12.0 V, I_{DQ} = 600 mA, P_{OUT} = 60 W F = 175 MHz$

### Package Outline

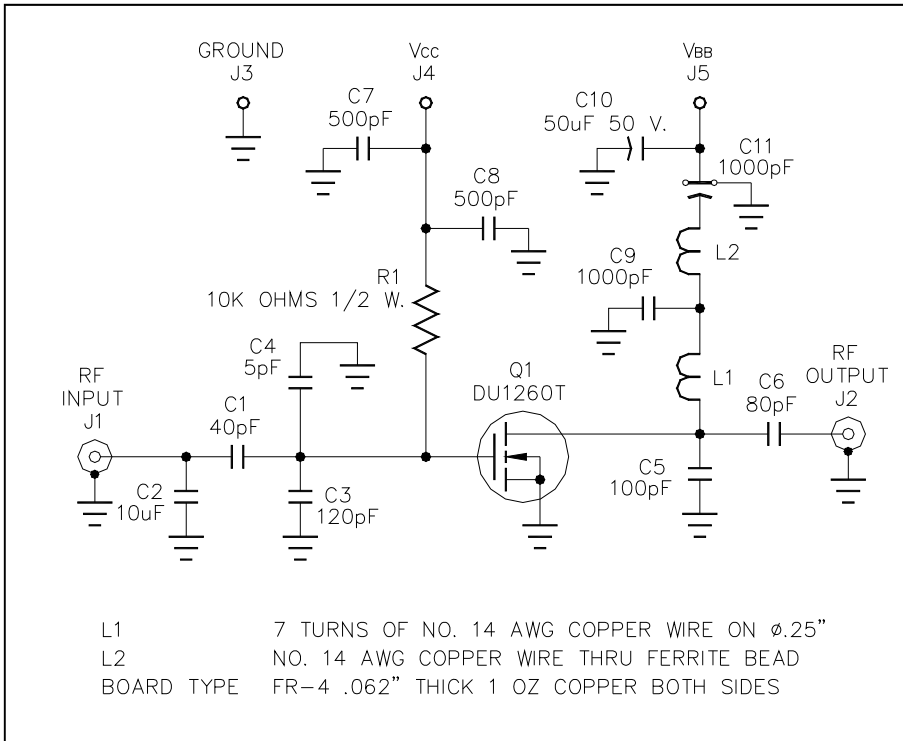


LETTER DIM	MILLIMETERS		INCHES	
	MIN	MAX	MIN	MAX
A	24.38	25.15	.960	.990
B	18.29	18.54	.720	.730
C	21.36	21.74	.841	.856
D	12.60	12.85	.496	.506
E	5.33	5.59	.210	.220
F	5.08	5.33	.200	.210
G	3.81	4.06	.150	.160
H	3.10	3.15	.122	.128
J	2.51	2.67	.099	.105
K	4.06	4.57	.160	.180
L	6.68	7.49	.263	.295
M	.10	.15	.004	.006

**Typical Broadband Performance Curves**



**TEST FIXTURE SCHEMATIC**



**TEST FIXTURE ASSEMBLY**

