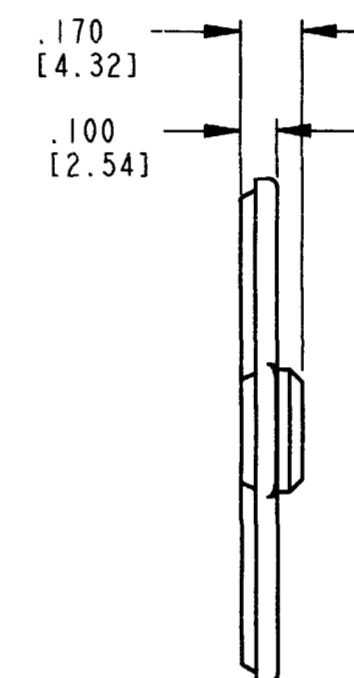
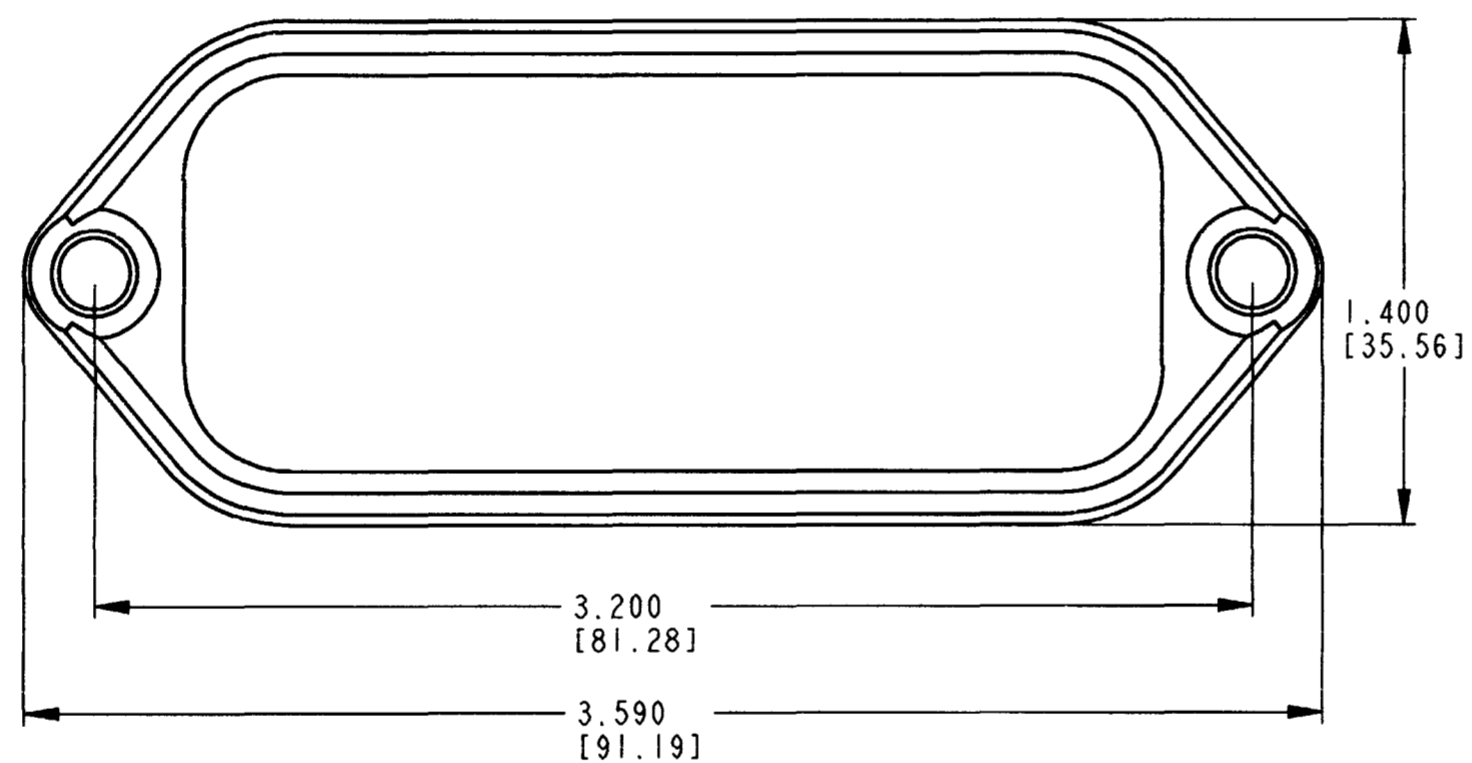


3 DIMENSIONAL VIEW



REV		REVISIONS			
SYM	DESCRIPTION	DATE	APPROVED		
NC	NEW RELEASE PER E.O. P17289	5/29/01	<i>[Signature]</i>		

- NOTES:
1. DIMENSIONS ARE IN INCHES [MILLIMETERS].
 2. DIMENSIONS ARE $\pm .025$ [0.63] UNLESS OTHERWISE SPECIFIED.
 3. THIS SEAL MATES WITH DRC23-40P*-**** (**** = ALL MODIFICATIONS). CONSULT FACTORY FOR MODIFICATIONS.

SIGNATURE & DATE		FLANGE SEAL FOR 40 WAY DRC	CP	MATL. CODE
DR	S. THEIS 5/29/01		The Deutch Company	
CHK	<i>[Signature]</i>		DEUTSCH I.P.D. 3850 INDUSTRIAL AVE. HEMET, CALIF. 92545	
PE	<i>[Signature]</i> 5/24/01		B	0513-020-4006
APPD	<i>[Signature]</i> 5/29/01	ENVELOPE	DWG SIZE	CODE 11139
SCALE	NONE	WT	SHEET OF	