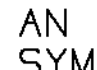
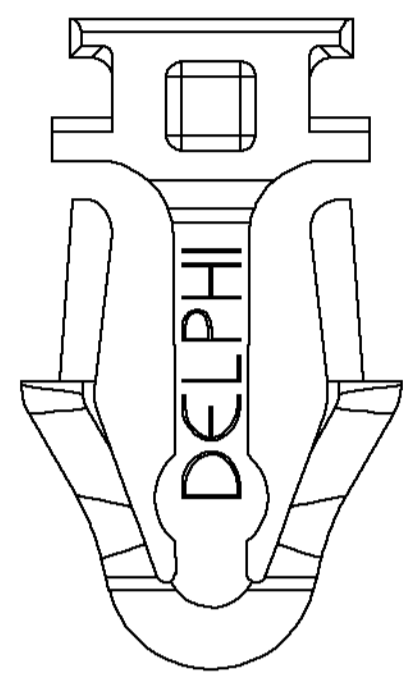
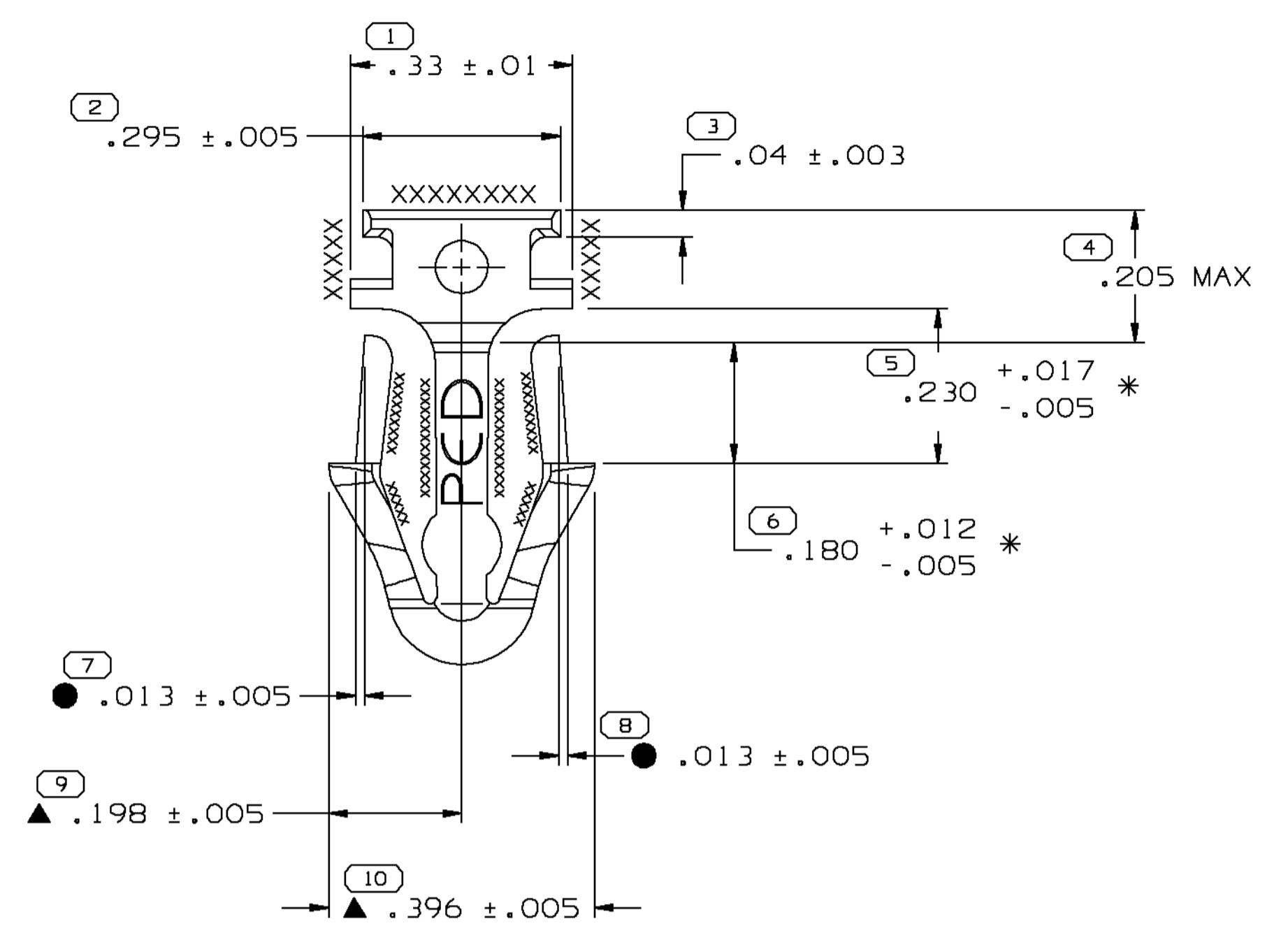
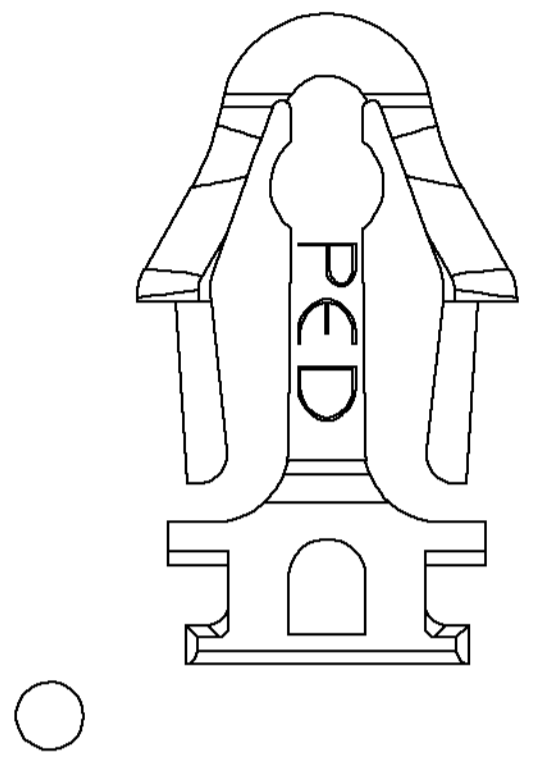


SYMBOL DEFINITION		MISSING NUMBERS	
A DIMENSION WITHOUT AN INSPECTION REPORT SYMBOL  DOES NOT REQUIRE INSPECTION. IT MAY BE CONTROLLED ON AN INDIVIDUAL COMPONENT DRAWING.	TOTAL NO. OF SYMBOLS ON DRAWING	19	
	LAST NO. USED	19	

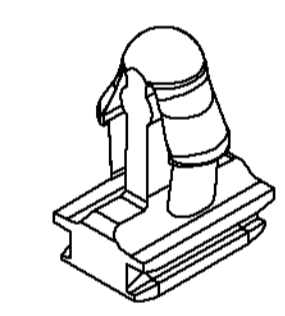
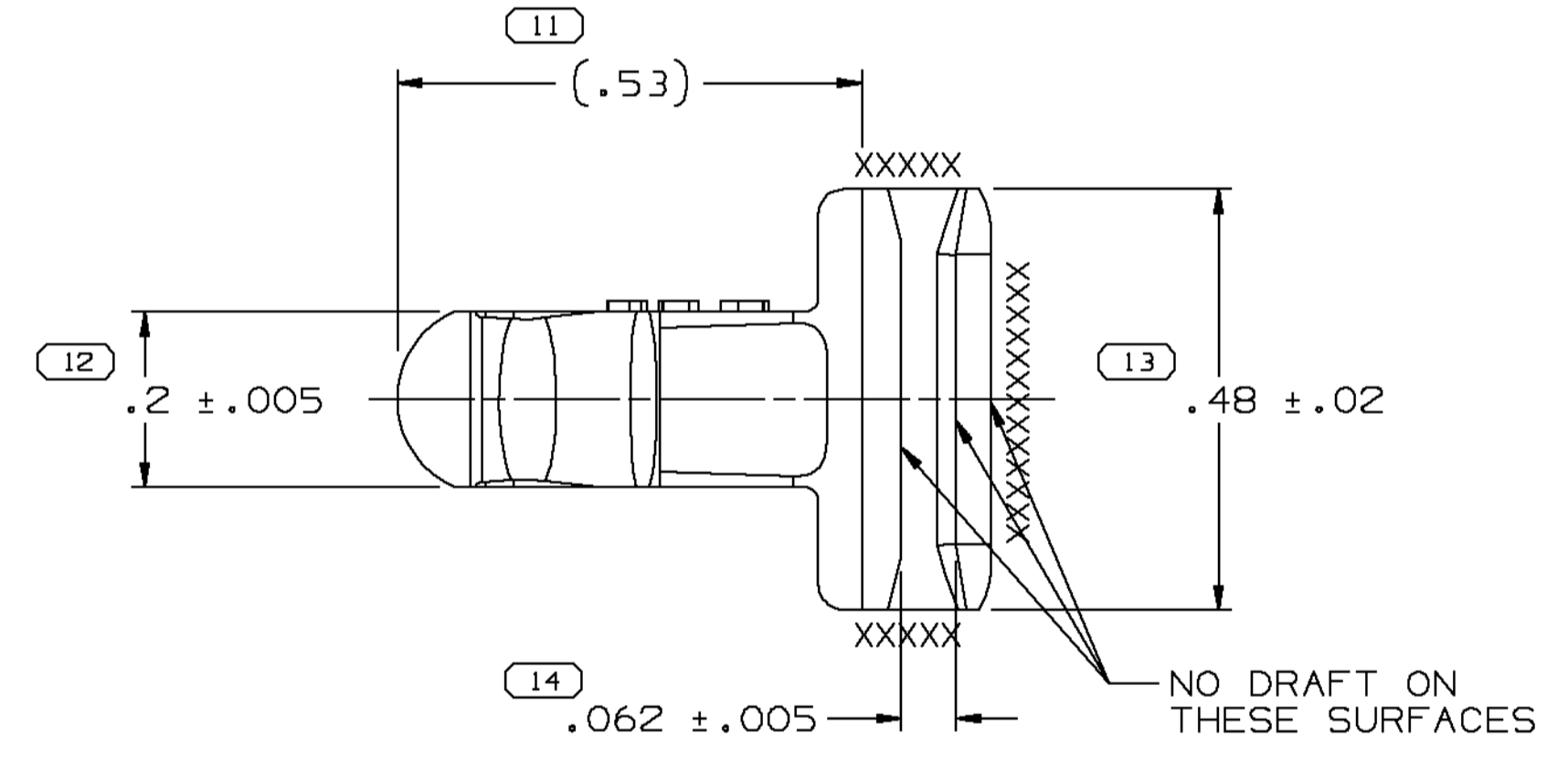
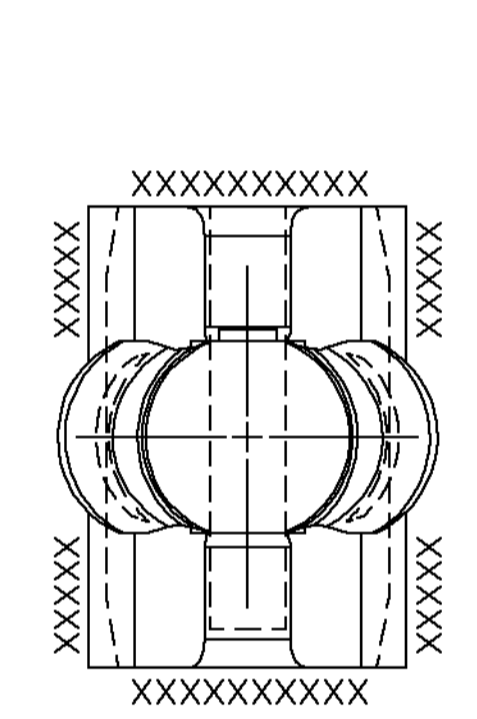
DWG STATUS					ZONE	REVISION HISTORY			AUTH	DR	APVD1	APVD2
DATE	STG	REV	N/P	CHG								
24JN02	R	06	AD	-		CLEARED REV COLUMN & REVISED DIMENSION VALUES (3 PLCS)			227228	EOV	EOV	ET
18JL02	R	06	AE	-		ADDED OPTIONAL CONSTRUCTION			227904	JGR	EOV	FR



OPTIONAL CONSTRUCTION (PREFERRED)

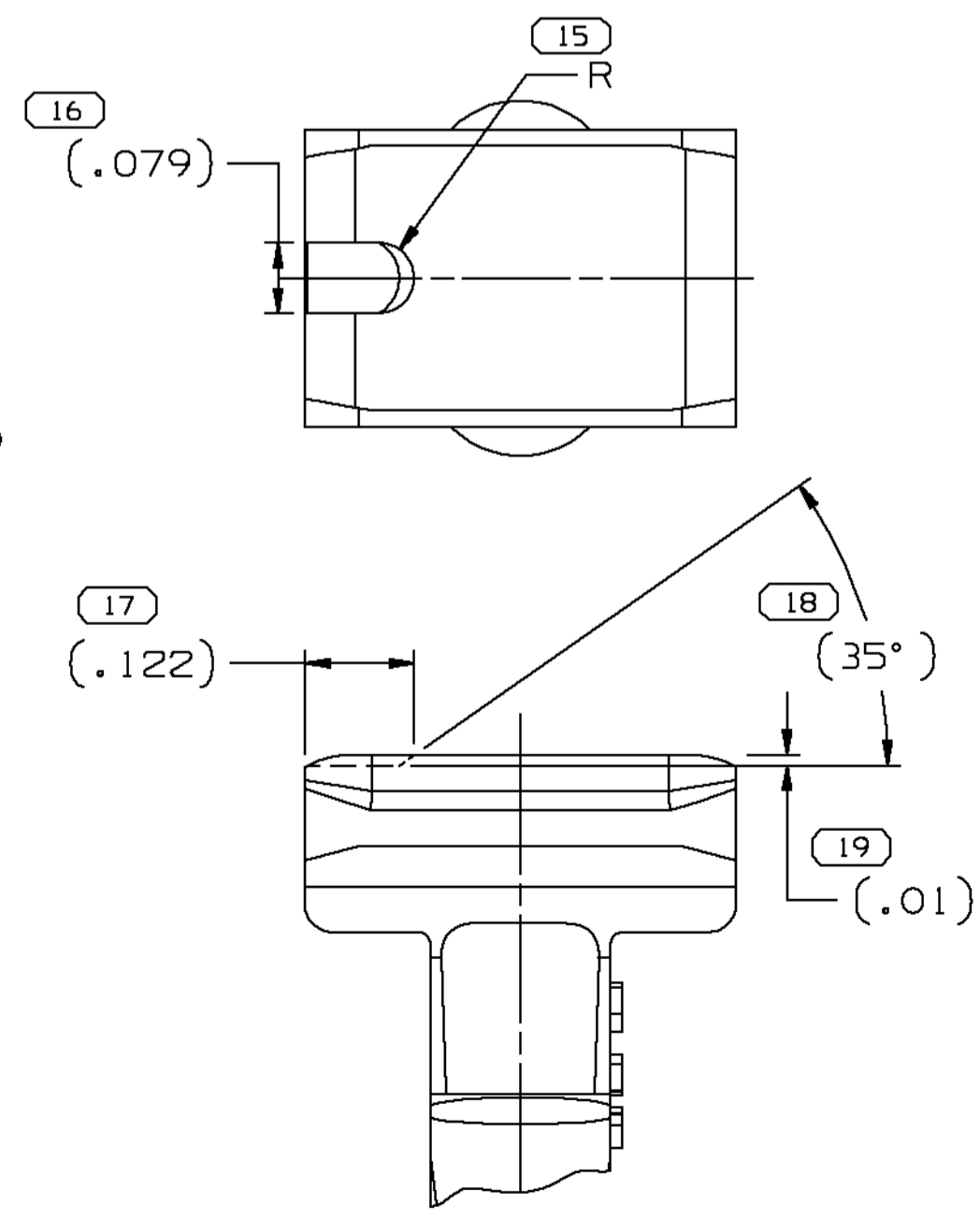


OPTIONAL CONSTRUCTION



NOTES

- UNLESS OTHERWISE SPECIFIED AND/OR INDICATED: DIMENSIONS ARE TO FACE OF VIEW SHOWN AND AUTOMATICALLY ROUNDED BY COMPUTER FOR INSPECTION (SEE MATH MODEL FOR PRECISE DIMENSIONS). FOR ALL OTHER DIMENSIONS NOT SHOWN BUT REQUIRED FOR TOOL BUILD, SEE MATH MODEL FOR PRECISE TOOL PATH DATA.
- MATERIAL RECYCLING CODE >PP< PER SAE J1344. (.07)X(.003) RAISED CHARACTERS AS SHOWN TO BE LOCATED ON ANY EXTERIOR SURFACE. OPTIONAL CONSTRUCTION TO BE NO MATERIAL RECYCLING CODE.
- RECOMMENDED HOLE SIZE 0.24-0.26 DIA HOLE IN 0.15 MAX THICK STOCK.
- DIMENSIONS MARKED WITH * MAY VARY 0.192-0.170 AND 0.247-0.210 DUE TO BOW.
- DIMENSIONS MARKED WITH ▲ MAY VARY -0.025 AND WITH ● +0.025 DUE TO BOW.
- THIS PART IS CONTROLLED FOR AUTOMATIC FEEDING. FLASH, GATES OR ANY TYPE OF PROTRUSIONS ARE NOT PERMISSIBLE ON AREAS INDICATED BY XXXXX'S.
- THIS PART IS NOT USUALLY INTENDED FOR USE ON NYLON BODIES (SEE P/N 12084561).
- (.07)X(.003) RAISED DELPHI CORPORATE BRAND TO BE LOCATED ON ANY EXTERIOR SURFACE, PREFERABLY VISIBLE AT FINAL ASSEMBLY. OPTIONAL CONSTRUCTION TO BE "PED" OR NO LOGO.



OPTIONAL GATE CONSTRUCTION

PROCESS SENSITIVE DIMENSION	
DIMENSIONS ENCLOSED IN () INDICATE REFERENCE DIMENSIONS AND NO TOLERANCE LIMITS ARE ESTABLISHED.	
DIMENSIONAL RANGE (IN)	CHART H
FROM 0	>.750
TO .750	>1.250
	>2.750
	>4.000
TOLERANCE UNLESS OTHERWISE SPECIFIED	
	±.005
	±.010
	±.012
	±.016
	±.020
ANGULAR TOLERANCE ±2°	

DWG TYPE		PART DRAWING	
STYLE			
VOLUME (CM³)	0.549	DISTR CODE	D
ROUTING	6900,6901	UNLESS OTHERWISE SPECIFIED	
THIS DOCUMENT IS IN ACCORDANCE WITH ASME Y14.5M-1994 AS AMENDED BY THE GM GLOBAL DIMENSIONING AND TOLERANCING ADDENDUM - 1997. ALL GEOMETRIC TOLERANCES AND RELATED DATUMS APPLY PER S. RULE #1 PERFECT FORM AT MMC DOES NOT APPLY WHEN RELATIONSHIP BETWEEN FEATURES IS ESTABLISHED BY ORIENTATION OR LOCATION TOLERANCES. SEPARATE POSITION CALLOUTS MAY BE GAGED SEPARATELY, REGARDLESS OF DATUM REFERENCE.			
THIRD ANGLE PROJECTION		DO NOT SCALE	
USE MATH DATA		UNIGRAPHICS	

DELPHI
DELPHI PACKARD ELECTRIC SYSTEMS
WARREN, OH

DR	DATE
APVD1 J. BANKSTON	13MY99
APVD2 J. BANKSTON	17MY99
APVD3 E. TRACEY	26MY99
APVD4	
APVD5	

MATERIAL: M2097001 PP 1M BLK

DRAWING NAME: CLIP CONN ROSEBUD

DRAWING NUMBER: 08905563

SIZE	SCALE	FRAME NO	SHEET NO	STG	REV	N/P	AE
A1	5:1	1 OF 1	1 OF 1	R	06	AE	