



TITLE **HIGH POWER COAXIAL ATTENUATOR**

LTR. **A**

ELECTRICAL CHARACTERISTICS :

FREQUENCY RANGE : DC - 2 GHz  
 IMPEDANCE : 50 Ohms  
 ATTENUATION - NOMINAL : 6 dB  
 ATTENUATION - ACCURACY : ± 1 dB  
 MAXIMUM V.S.W.R. - DC - 1 GHz : 1.10  
                                   - 1 - 2 GHz : 1.25  
 AVERAGE POWER HANDLING : 80 W at 25°C free air cooled  
   : 100 W at 25°C conduction cooled  
 PEAK POWER HANDLING : 5 kW ( 1 μS, 1%.) at 25°C

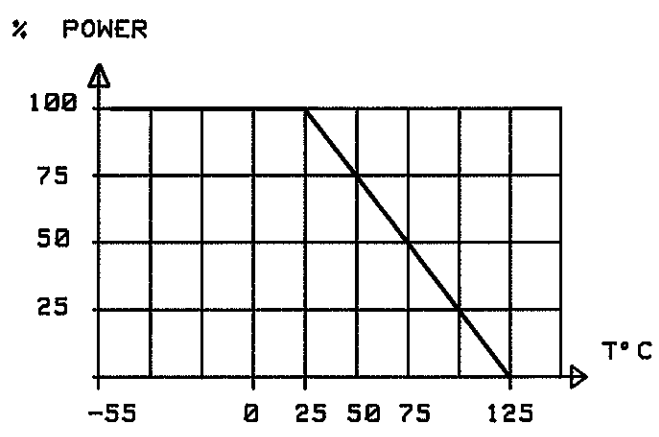
MECHANICAL CHARACTERISTICS :

CONNECTORS : N male/female per MIL C 39012  
 MAXIMUM WEIGHT : 650 grams

ENVIRONMENTAL CHARACTERISTICS :

OPERATING TEMPERATURE RANGE : - 55°C + 125°C  
 STORAGE TEMPERATURE RANGE : - 55°C + 125°C

Power derating  
Versus temperature



Tentative data subject to change without notice.  
3294 - 9011

|             |                  |                   |     |           |      |      |
|-------------|------------------|-------------------|-----|-----------|------|------|
| PEN         | QUALITY Dpt App. |                   | LTR | REVISIONS | DATE | APP. |
|             | MO<br>B          | 23 MARS 1993      |     |           |      |      |
| PAGE<br>1/2 | DATE<br>31/10/91 | NAME<br>K. LUCIEN |     |           |      |      |

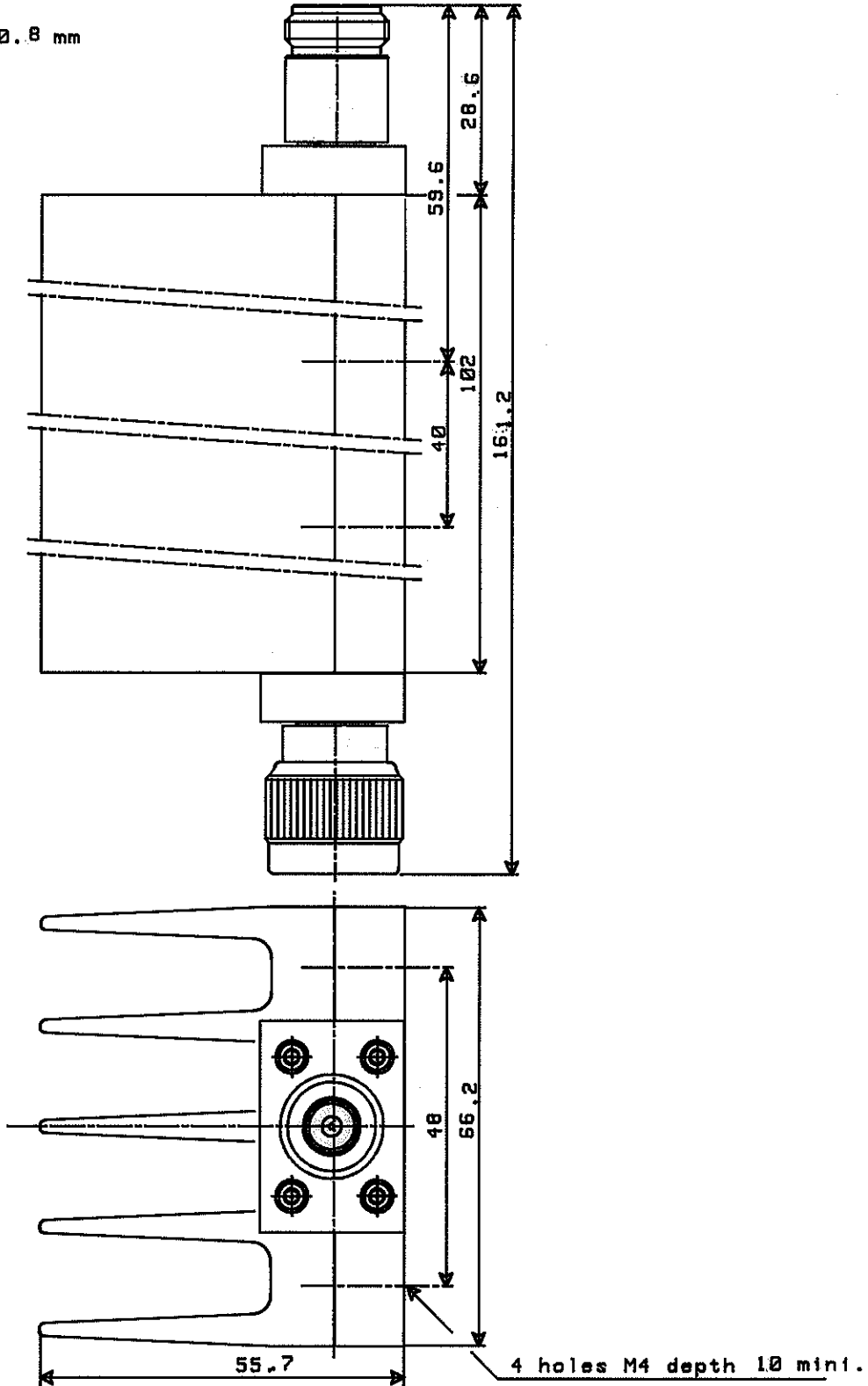


TITLE **HIGH POWER COAXIAL ATTENUATOR**

LTR. **A**

DRAWING

General tolerances ± 0.8 mm



Tentative data subject to change without notice.

3294 - 9011

|             |                  |                   |     |           |      |      |
|-------------|------------------|-------------------|-----|-----------|------|------|
| PEN         | QUALITY Dpt App. |                   | LTR | REVISIONS | DATE | APP. |
|             | MO<br>B          | 23 MARS 1993      |     |           |      |      |
| PAGE<br>2/2 | DATE<br>31/10/91 | NAME<br>K. LUCIEN | LTR | REVISIONS | DATE | APP. |