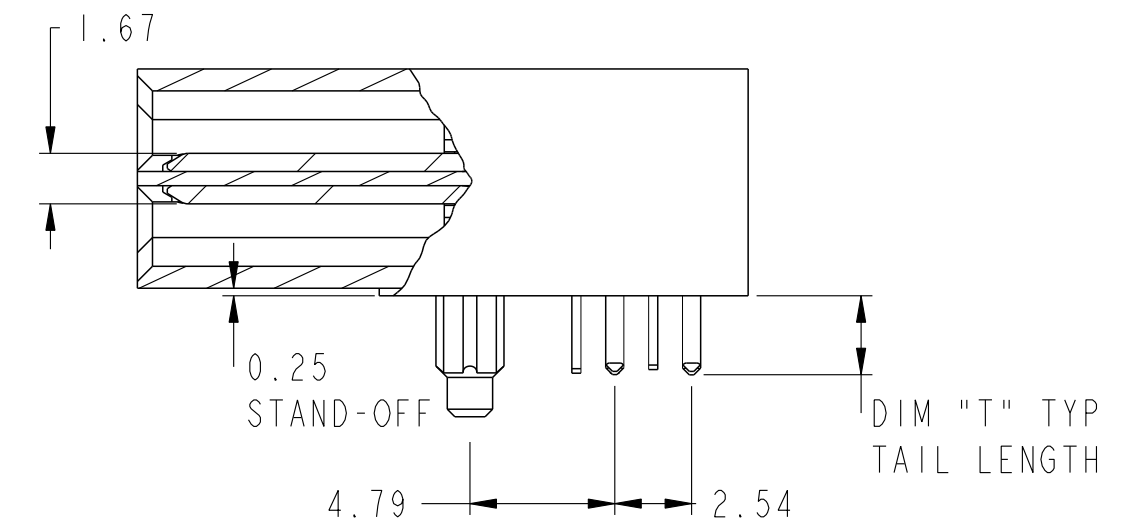
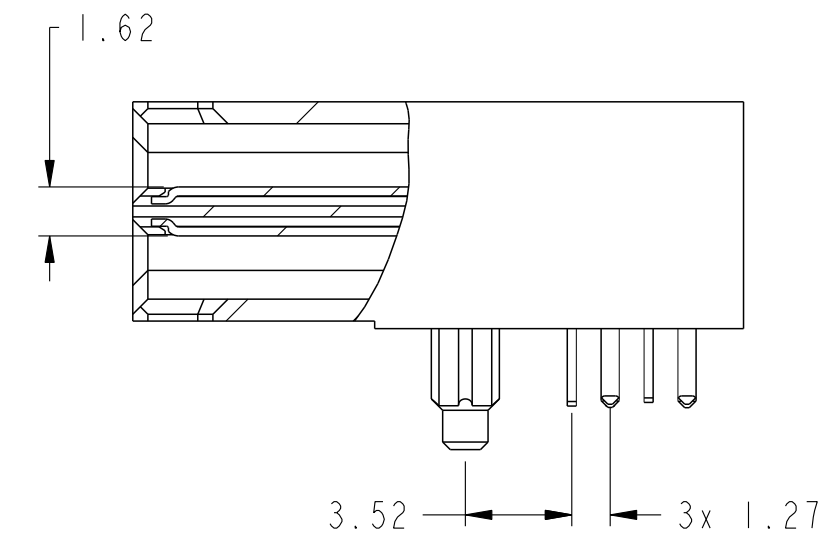
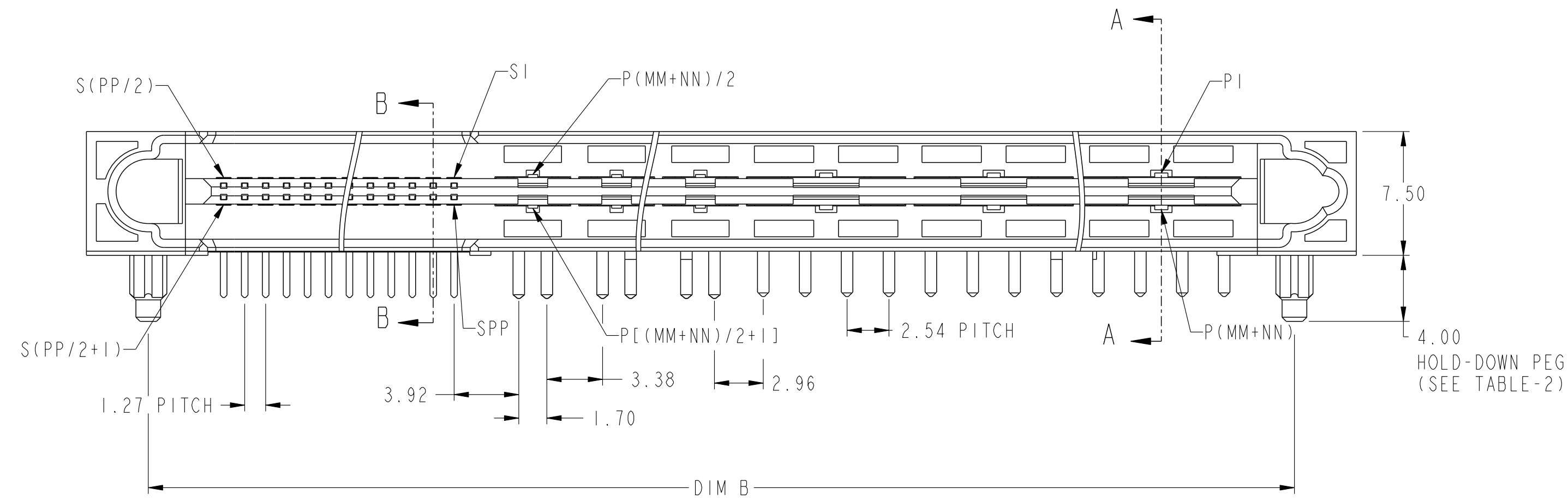


NOTE 5

HOUSING
SEE NOTE 7



SECTION A-A
SCALE 4:1



SECTION B-B
SCALE 4:1



Copyright FCI.

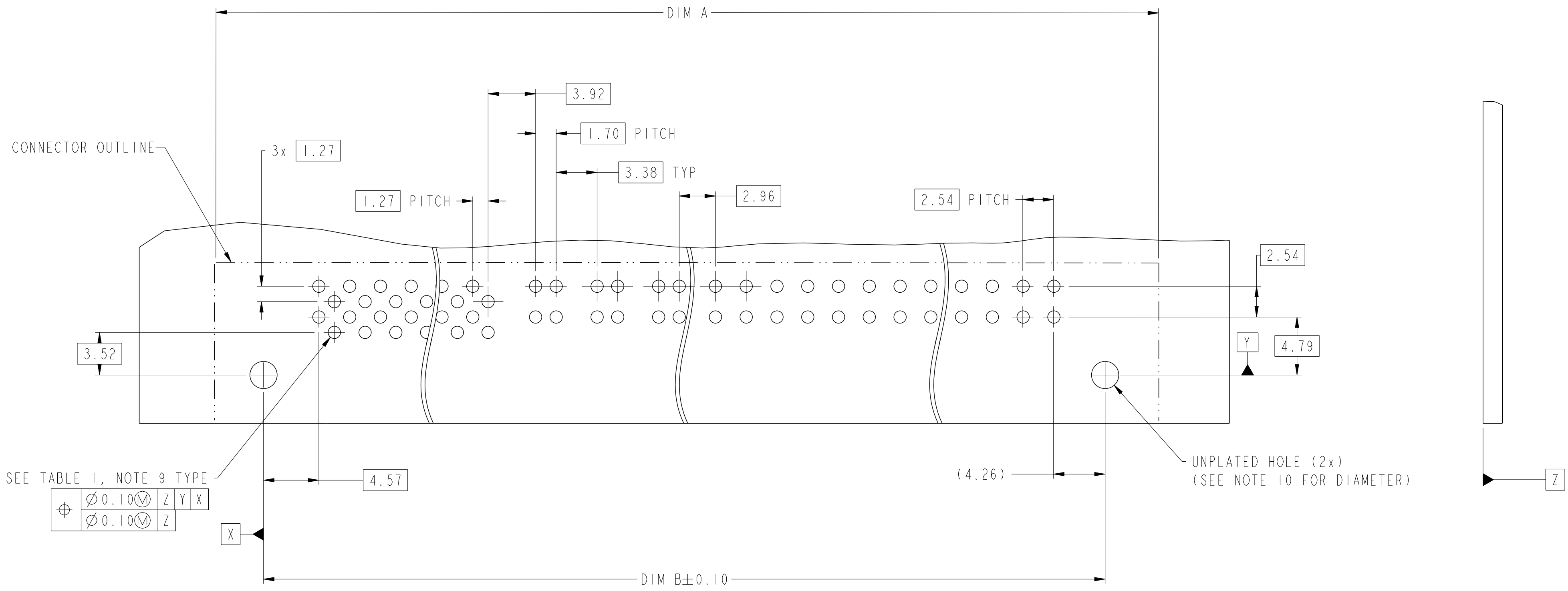
| | | | | | | | | | |
|---------------------------------------|---------|----------------|------------|-------------------|----|----------|------------------------|--------------|----------|
| spec ref | dr | Hai-Ling Liu | 2015/03/30 | projection | MM | size | A2 | scale | 1:1 |
| tolerance std | eng | Hai-Ling Liu | 2015/05/11 | | | ecn no | - | rel level | Released |
| TOLERANCES UNLESS OTHERWISE SPECIFIED | chr | Terris Liu | 2015/05/11 | | | | | | |
| | appr | Pei-Ming Zheng | 2015/05/11 | | | | | | |
| surface | linear | 0.X | ±0.5 | product family | | cat. no. | Product - Customer Drw | sheet 1 of 3 | |
| | | 0.XX | ±0.25 | HPCE BTB RAH | | dwg no | 10134214 | rev | A |
| | angular | 0° | ±2° | UNIVERSAL DRAWING | | | | | |

PDS: Rev :A

STATUS:Released

Printed: May 12, 2015

| CONTACT TYPE | TOP LAYER DESCRIPTION | TABLE 1 (HPCE / SOLDER TAILS) PLATED THROUGH-HOLE REQUIREMENTS | | | | |
|--------------|-----------------------|---|------------------|--------------------|---------------|------------------------|
| | | DRILLED HOLE DIAMETER | COPPER THICKNESS | TIN-LEAD THICKNESS | TIN THICKNESS | FINISHED HOLE DIAMETER |
| POWER | TIN-LEAD | 1.10-1.16 (1.15 DRILL) | 0.025 - 0.050 | 0.005 - 0.015 | -- | 0.94 - 1.10 |
| | IMMERSION TIN | 1.10-1.16 (1.15 DRILL) | 0.025 - 0.050 | -- | 0.9 - 1.5um | 0.94 - 1.10 |
| | COPPER (SEE NOTE 8) | 1.10-1.16 (1.15 DRILL) | 0.025 - 0.050 | -- | -- | 0.94 - 1.10 |
| SIGNAL | TIN-LEAD | 0.93-0.99 (0.98 DRILL) | 0.025 - 0.050 | 0.005 - 0.015 | -- | 0.77 - 0.93 |
| | IMMERSION TIN | 0.93-0.99 (0.98 DRILL) | 0.025 - 0.050 | -- | 0.9 - 1.5um | 0.77 - 0.93 |
| | COPPER (SEE NOTE 8) | 0.93-0.99 (0.98 DRILL) | 0.025 - 0.050 | -- | -- | 0.77 - 0.93 |

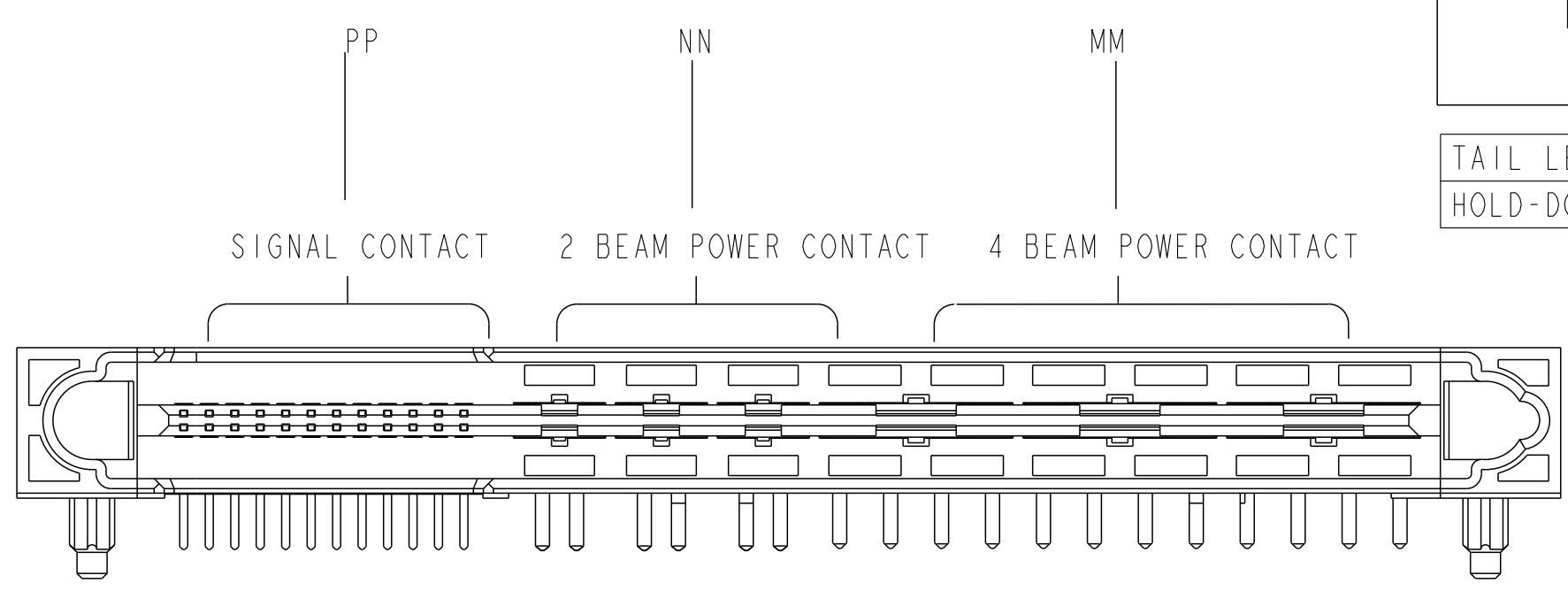


TOP SURFACE
RECOMMENDED PCB LAYOUT

| | | | | | | | | |
|-------------|----------------|------------|---|----|-----------|------------------------|-----------|----------|
| dr | Hai-Ling Liu | 2015/03/30 | projection | MM | size | A2 | scale | 1:1 |
| eng | Hai-Ling Liu | 2015/05/11 | | | ecn no | - | rel level | Released |
| chr | Terris Liu | 2015/05/11 | | | | | | |
| appr | Pei-Ming Zheng | 2015/05/11 | product family | - | rel level | Released | | |
| | | | title HPCE BTB RAH UNIVERSAL DRAWING | | | dwg no 10134214 | | rev A |
| www.fci.com | | | cat. no. | | | Product - Customer Drw | | |

10134214 - MM NN PP

LF
LEAD FREE



| | A | B | C | D |
|-----------------------|------|---|------|---|
| TAIL LENGTH(DIM T) | 2.60 | | 3.25 | |
| HOLD-DOWN PEGS OPTION | Y | N | Y | N |

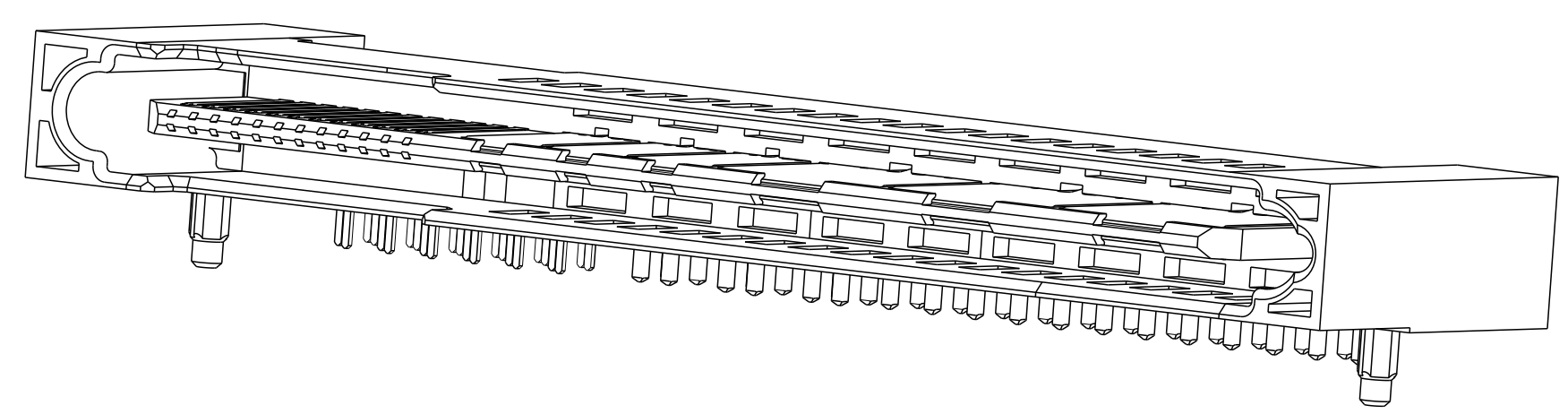
| DIM | TABLE 2. LENGTH FORMULAS |
|----------|--|
| DIM A II | $(MM + NN) / 2 \times 2.54 + (PP / 2) \times 1.27 + 16.02$ |
| DIM B | DIM A - 7.5 |
| DIM T | 2.60 OR 3.25 |

Example: The configuration above is 10134214-241224CLF
 STD HPCE BTB R/A HEADER 36P24S with Hold-Down Pegs.
 24P is 4 beam contact, 12P is 2 beam contact.

TABLE 3: PART NUMBER CODE. HPCE BTB R/A HEADER P+S CONFIG

NOTES:

- CONNECTOR MATERIALS:
 HOUSING: HIGH TEMPERATURE THERMAL PLASTIC, BLACK UL 94V-0 COMPLIANT
 CONTACTS: HIGH PERFORMANCE COPPER ALLOY.
- CONTACT FINISH REF. GS-12-1031 SECTION TBD
- PRODUCT SPECIFICATION: GS-12-1125
- APPLICATION SPECIFICATION: GS-20-0388
- PRODUCT MARKING (FCI PART NUMBER & DATE CODE) ON HOUSING IN AREA SHOWN.
- PACKAGING MEETS FCI SPECIFICATION GS-14-2272.
- HOUSING COMPONENT WILL WITHSTAND EXPOSURE TO 260°C PEAK TEMPERATURE FOR 60 SECONDS IN A CONVECTION, INFRA-RED, OR VAPOR PHASE REFLOW OVEN.
- COPPER PLATING THICKNESS IN CENTER OF VIA-HOLE CAN BE NO MORE THAN 0.003 LESS THAN OTHER AREAS.
- ALL HOLE SIZES ARE FINISHED HOLE SIZES.
- MOUNTING HOLES ARE UNPLATED
 $\varnothing 2.20 \pm 0.05$ FOR SOLDER TAILS
- MAXIMUM OVERALL LENGTH IS 100 mm



Copyright FCI. FCI

| | | | | | | | | |
|------|----------------|--|----------------|--------------------|----------|----------|------------------------|--------------|
| dr | Hai-Ling Liu | 2015/03/30 | projection | MM | size | A2 | scale | 1:1 |
| eng | Hai-Ling Liu | 2015/05/11 | | | ecn no | - | rel level | Released |
| chr | Terris Liu | 2015/05/11 | | | | | | |
| appr | Pei-Ming Zheng | 2015/05/11 | product family | - | cat. no. | - | Product - Customer Drw | sheet 3 of 3 |
| | | title HPCE BTB RAH UNIVERSAL DRAWING | | dwg no 10134214 | | rev A | | |