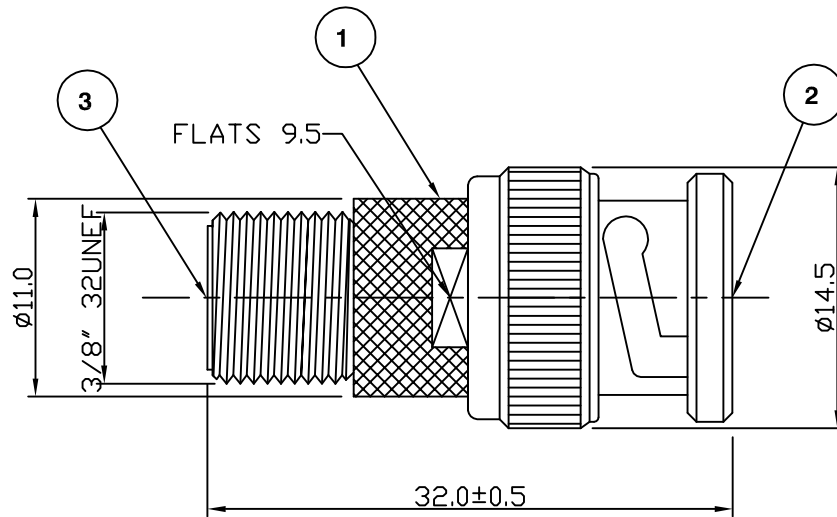


RoHS COMPLIANT



**Electrical Characteristics**

Nominal Impedance: Non-constant  
 Frequency Range: DC to 2 GHz  
 Operating Voltage (rms): 250 V maximum at sea level  
 Dielectric Withstand Voltage (rms): 1500 V maximum at sea level  
 Contact Resistance: 1.5 milliohms maximum  
 Insulation Resistance: 5000 megohms minimum

**Mechanical Characteristics**

Mating Cycles: 200 cycles minimum  
 Interface Dimensions: Conform to MIL-C-39012

**Environmental Characteristics**

Temperature Range: -55 °C to +85 °C

	PART	DESCRIPTION
1	Body	Brass, nickel plated
2	Dielectric	Delrin, white
3	Contact	Brass, gold plated

Dimensional Update	JT	3	25 Mar 10
CAD Issue	SN	2	02 Oct 02
First Issue	CBB	1	07 Oct 97
DESCRIPTION OF REVISION	APPVD	ISS	DATE



Cinch Connectivity Solutions  
 7-13 Russel Way,  
 Widford Industrial Estate,  
 Chelmsford, Essex,  
 CM1 3AA, UK.  
 Tel: +44 (0) 1245 359515  
 Fax: +44 (0) 1245 358938

SCALE: Not To Scale

DIMENSIONS: mm

TOLERANCES:  
 ± 0.2mm unless  
 otherwise stated

DRAWN BY:

S Nash

CHECKED BY:

P Couzens

APPROVED BY:

P Couzens

DATE:

02 Oct 02

TITLE:

BNC Plug to F Jack

PART NUMBER:

VA204

PAGE: 1 of 1