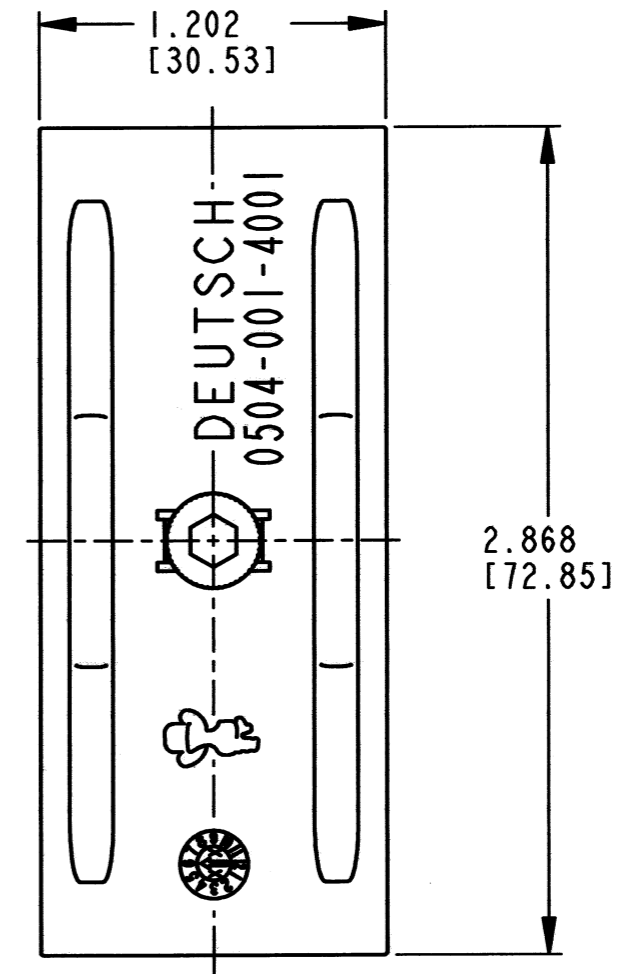
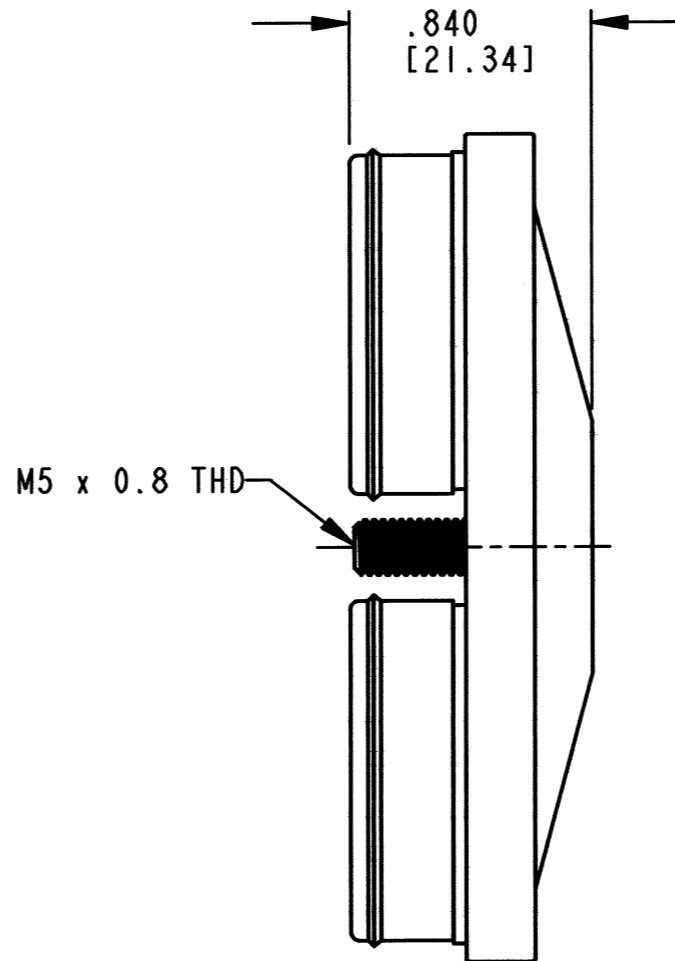
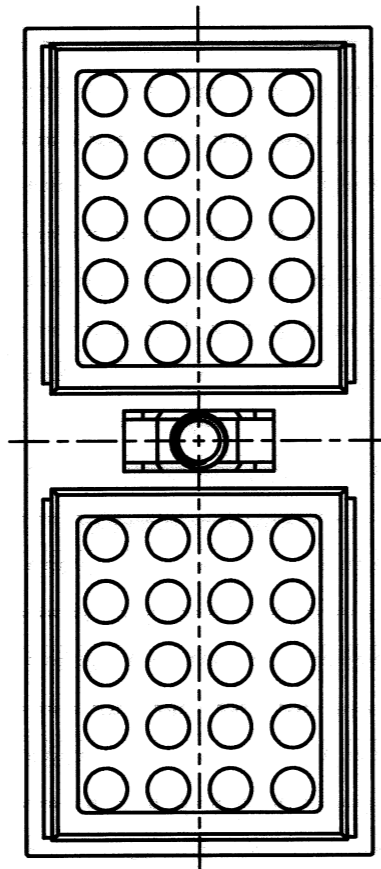


REV B 0504-001-4001

REVISIONS			
SYM	DESCRIPTION	DATE	APPROVED
NC	NEW RELEASE PER E.O. A11154	6-24-91	J.A.
A	REVISED PER E.O. A11196	1-31-92	J.A.
B	REDRAWN & REVISED PER E.O. P21289	2-13-12	RDR



4. MATERIAL: CAP: BLACK PLASTIC; SEALS: RUBBER; BOLT: STEEL.

3. THIS ENVIRONMENTAL DUST CAP FITS ON DRC10-40P-\*\*\*\*, DRC12-40P\*-\*\*\*\*, DRC13-40P\*-\*\*\*\* AND DRC14-40P\*-\*\*\*\*. CONSULT FACTORY FOR MODIFICATIONS. (\* = A,B,C,D KEYS; \*\*\*\* = MODIFICATIONS)

2. DIMENSION TOLERANCE:  $\pm .025$  [.64].

1. DIMENSIONS ARE IN INCHES [mm].

NOTES: UNLESS OTHERWISE SPECIFIED

SIGNATURE & DATE	
DR	J.APOSTOL 07FEB2012
CHK	D. Hasibuan 2/10/12
PE	D. Hasibuan 2/10/12
APPD	D. Meyer 2/13/12
SCALE	NONE WT

ENVIRONMENTAL  
DUST CAP  
DRC SERIES

ENVELOPE

EP	MATL. CODE
	3850 INDUSTRIAL AVE. HEMET, CA 92545
<b>DEUTSCH</b> INDUSTRIAL	
<b>B</b>	<b>0504-001-4001</b>
DWG SIZE	CODE 11139 SHEET   OF

