

FEATURES

- ※Sealed type IP57
- ※Extended bracket available
- ※Easy to pick & place with top tab

APPLICATION

- ※Data storage, Server
- ※Instrumentation
- ※Audio, OA equipment

SPECIFICATION

Contact Rating	50mA, 12V DC
Contact Resistance	100mΩ max.
Insulation Resistance	10MΩ min. 500V DC
Dielectric Strength	250V AC/1 minute
Operating Force	185±50gf, 260±50gf
Travel	0.15mm
Operating Life	200,000 cycles
Operating Temp.	-25°C ~ +70°C
Storage Temp.	-30°C ~ +80°C

HOW TO ORDER

TA 3 - □ □ □ □ □ □ □ □ □ □

Stem Height:
1=4.35mm
2=2.80mm
3=2.30mm
4=4.00mm
6=1.12mm

Color Of Stem:
W=White
R=Red
E=Gray

Operating Force:
2=185gf
3=260gf

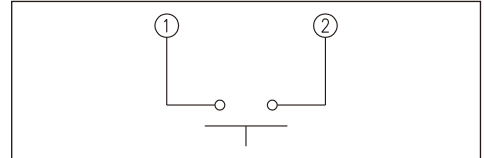
Package:
T/R=Tape & Reel
V=RoHS & Lead Free Solderable
Q=Halogen Free

□=Silver Plating
S=Silicone Stem, Terminal Silver Plating (For TA3-3)

□=Without Tab
K=Tab for auto-dipping

□=With Solder Pad
A=Without Solder Pad

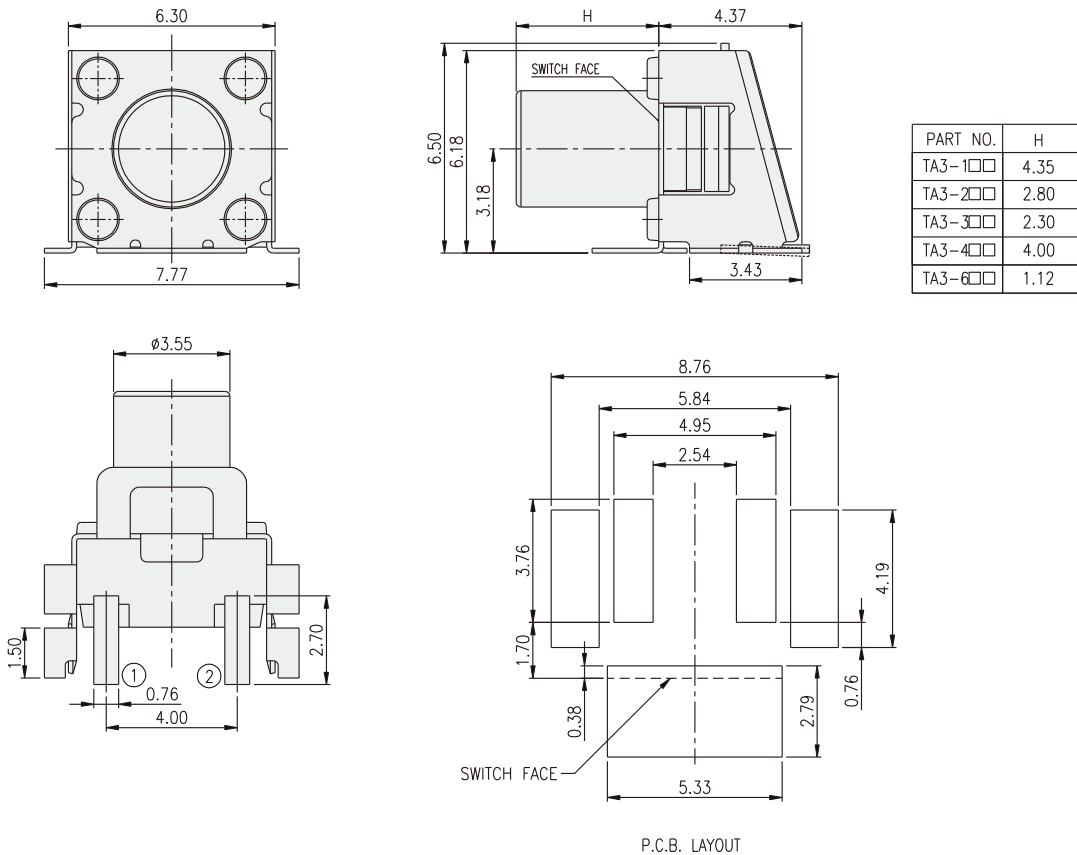
CIRCUIT



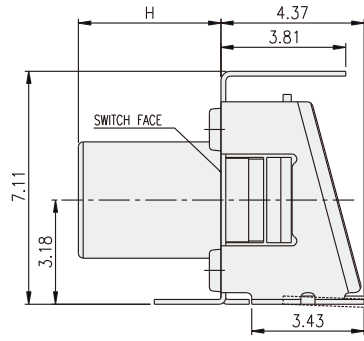
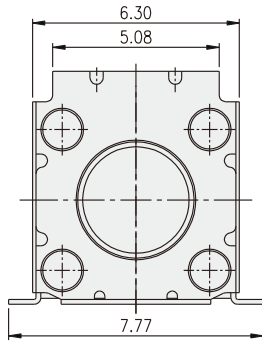
PACKAGE

<Tape & Reel>
TA3: 600 pcs
TA3-□□□K: 550 pcs

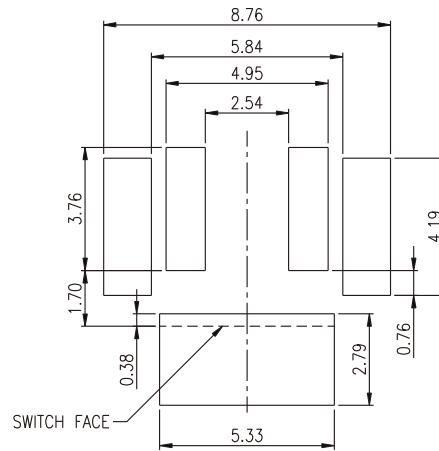
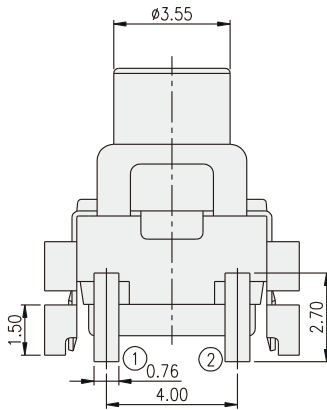
TA3-□□□



TA3-□□K



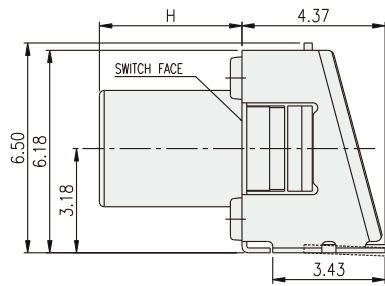
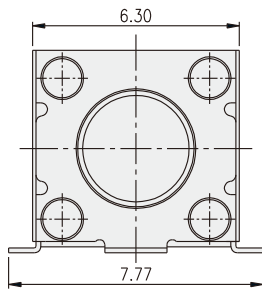
PART NO.	H
TA3-1□□K	4.35
TA3-2□□K	2.80
TA3-3□□K	2.30
TA3-4□□K	4.00
TA3-6□□K	1.12



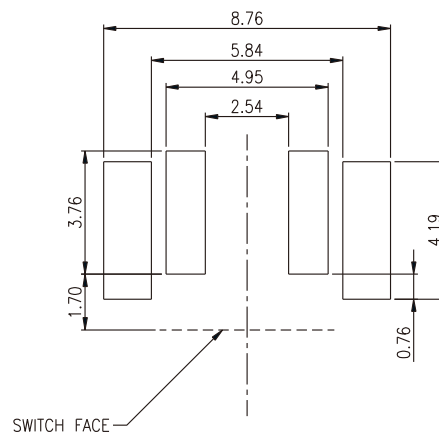
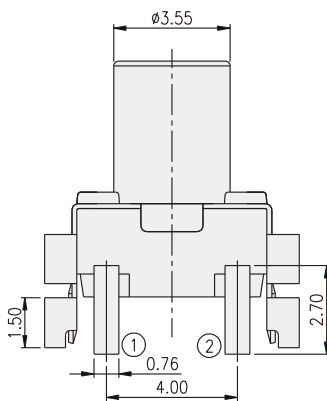
P.C.B. LAYOUT

TACT SWITCH

TA3-□□A



PART NO.	H
TA3-1□□A	4.35
TA3-2□□A	2.80
TA3-3□□A	2.30
TA3-4□□A	4.00
TA3-6□□A	1.12



P.C.B. LAYOUT