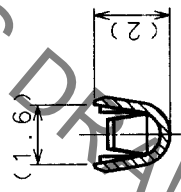
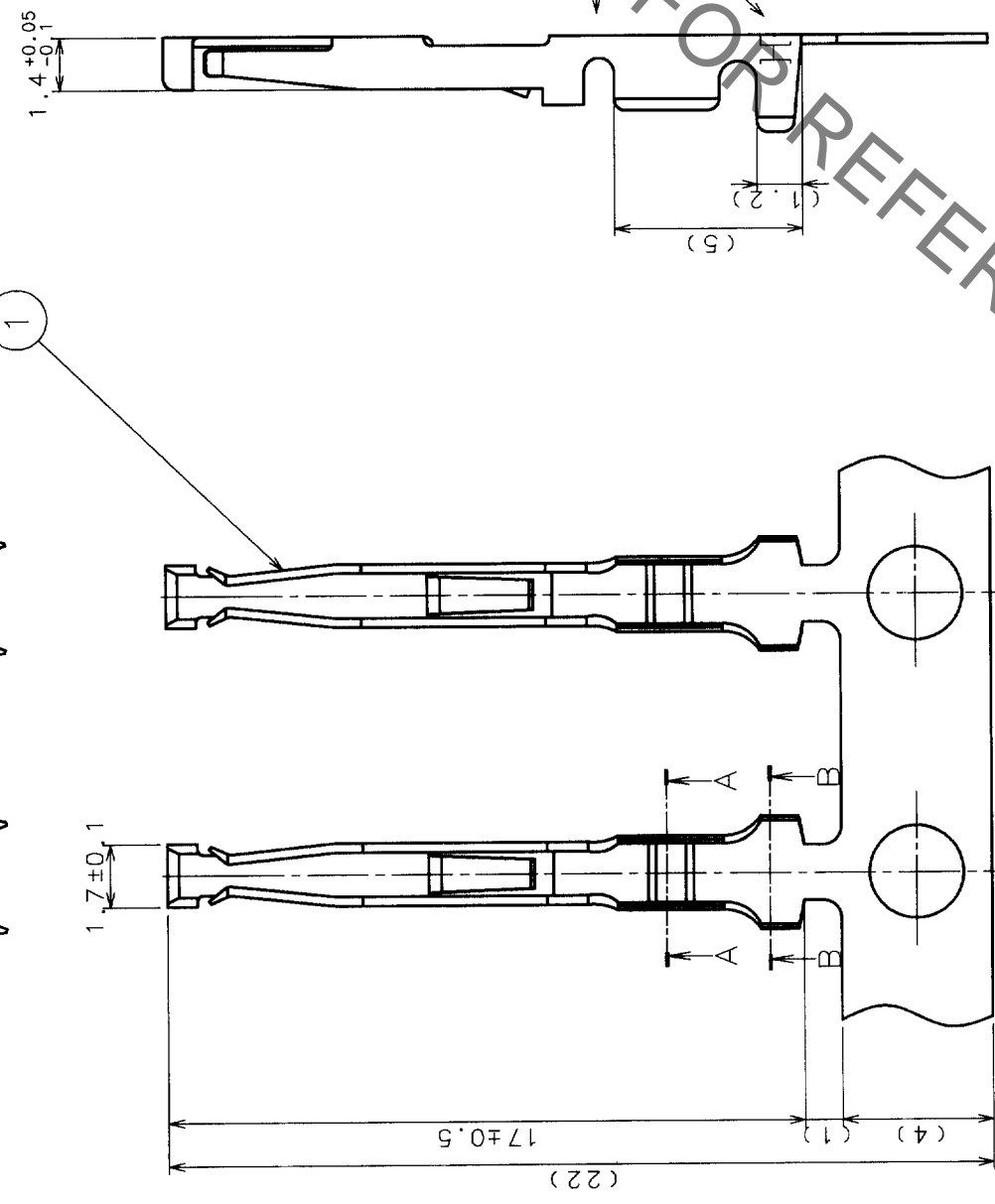
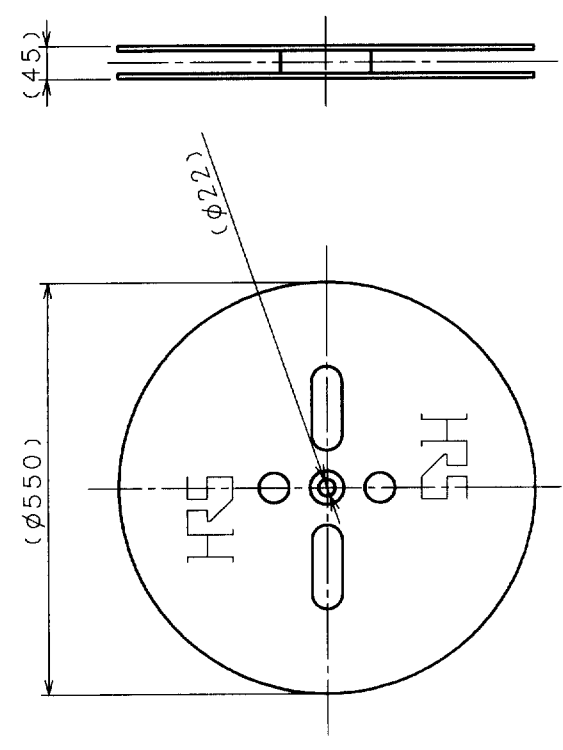


COUNT DESCRIPTION OF REVISIONS		BY	CHKD	DATE	COUNT DESCRIPTION OF REVISIONS		BY	CHKD	DATE
△					△				
△					△				
△					△				

COUNT DESCRIPTION OF REVISIONS		BY	CHKD	DATE	COUNT DESCRIPTION OF REVISIONS		BY	CHKD	DATE
△					△				
△					△				
△					△				

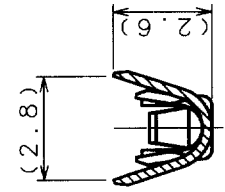
TO	
R	

② <REEL> (1:10)

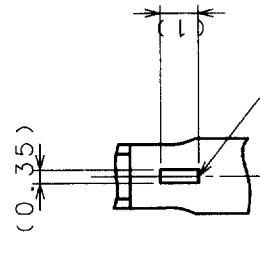


A-A

HRS STAMPING



B-B



C

APPLICABLE WIRE IDENTIFICATION MARK

HRS DRAWING FOR REFERENCE

- NOTES 1 APPLICABLE CONTACT EXTRACTION TOOL : RM-TP (CL150-0008-7)
- 2 APPLICABLE WIRE : AWG#24~#20

1 PHOSPHOR BRONZE MATERIAL		SILVER PLATING (n=8000) FINISH, REMARKS		2 FIBERBOARD MATERIAL		REEL FINISH, REMARKS	
NO.	CODE NO. (COLD)	FINISH, REMARKS	DRAWN	DESIGNED	CHECKED	APPROVED	RELEASED
			H. YOKOMIZO	H. KAWA		M. Sa To Mc Oyashida	
			98.5.19	93.5.11		98.5.23	98.5.26

DRAWING NO.	EDC3-009965	PART NO.	JRC-SC2-212
SCALE	5 : 1	CODE NO.	CL114-0249-0
UNITS	mm		