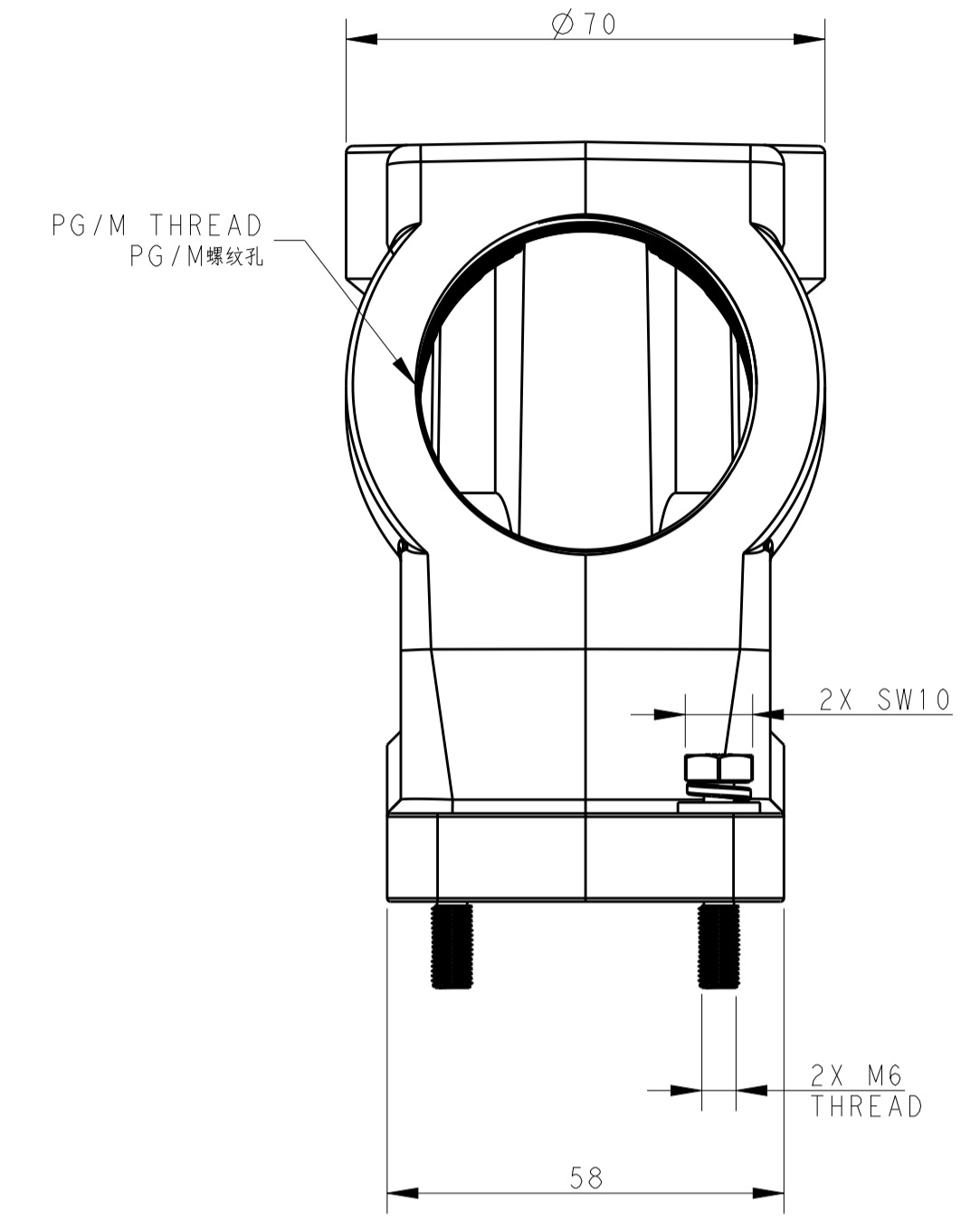
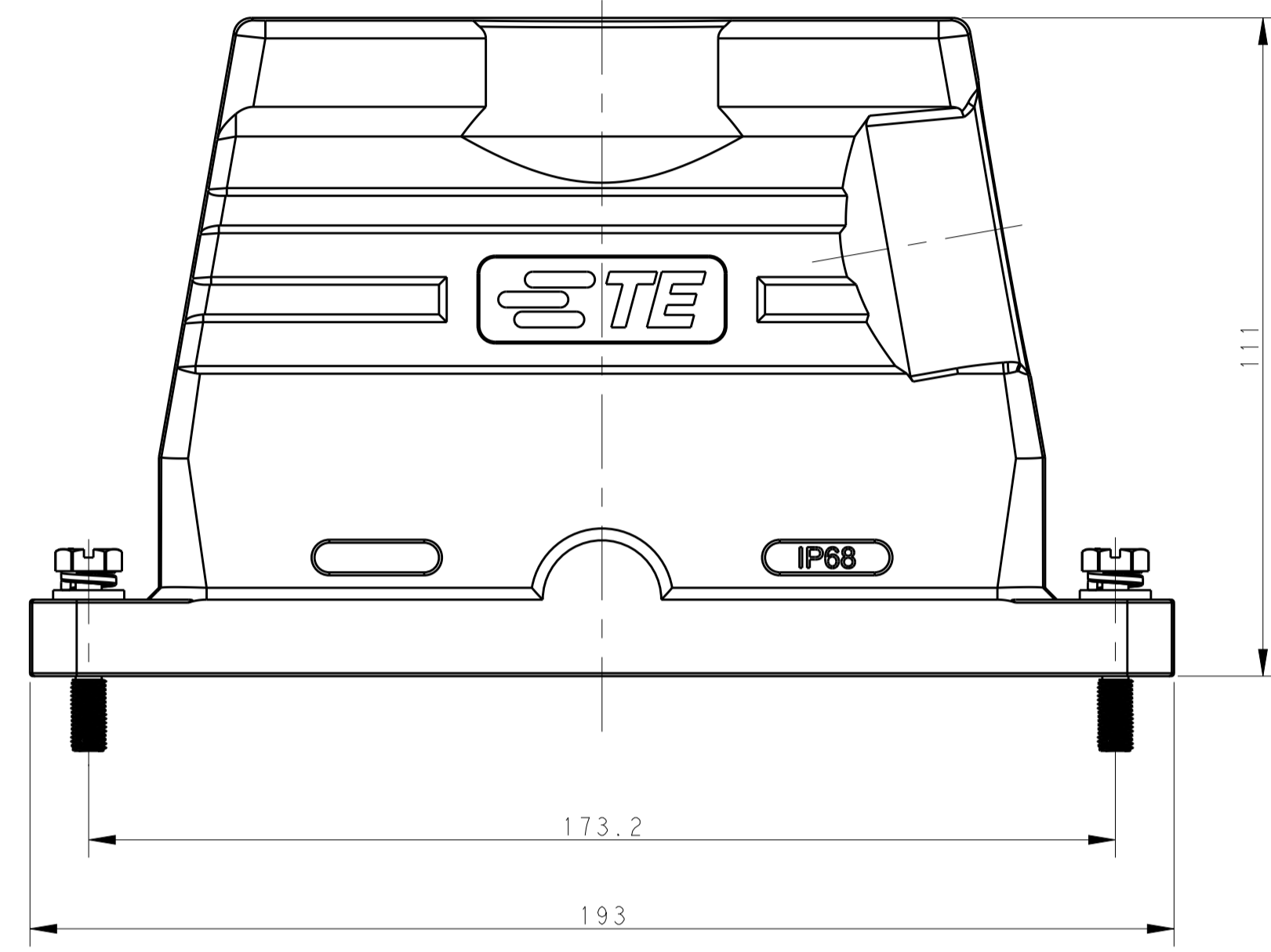
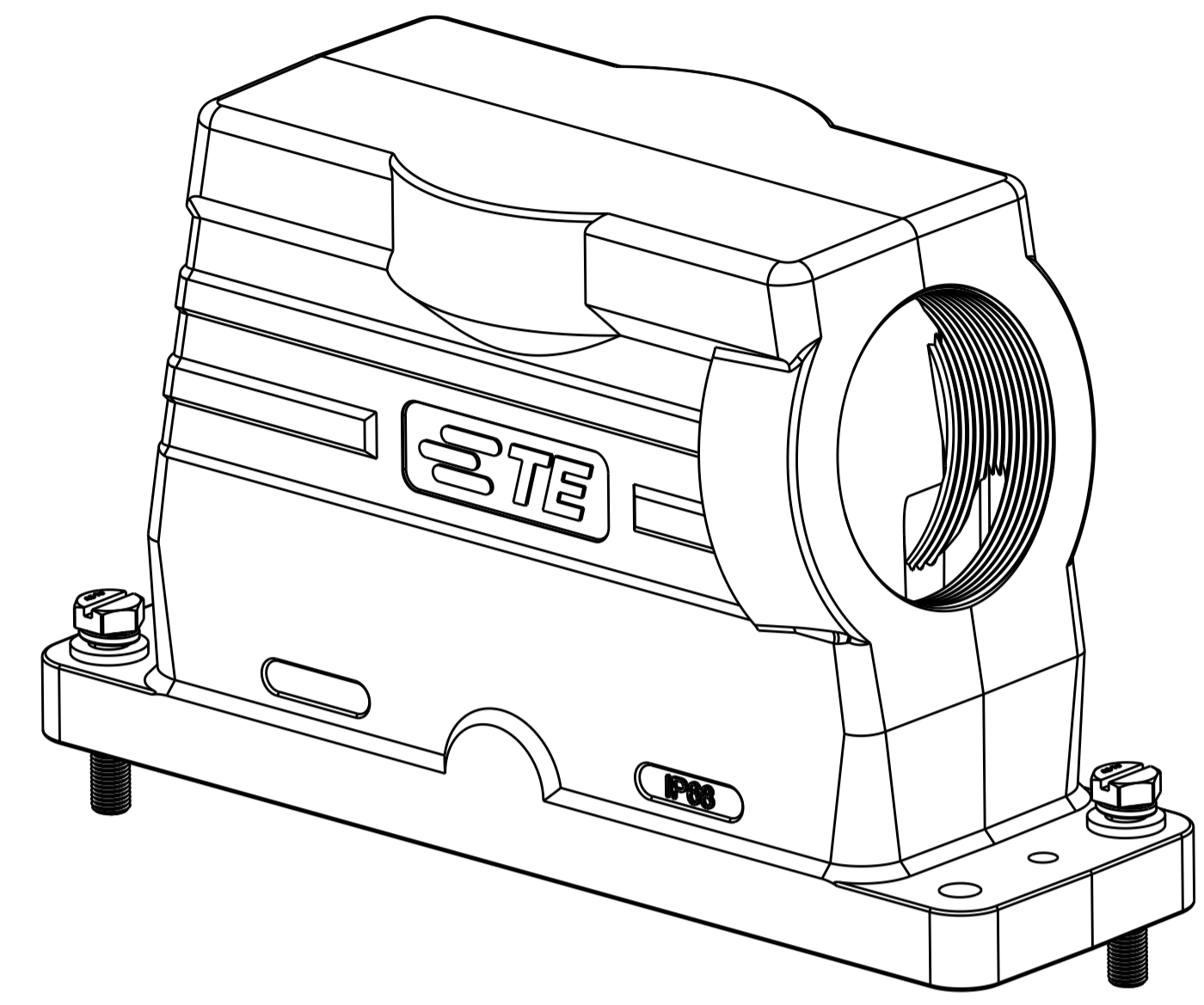
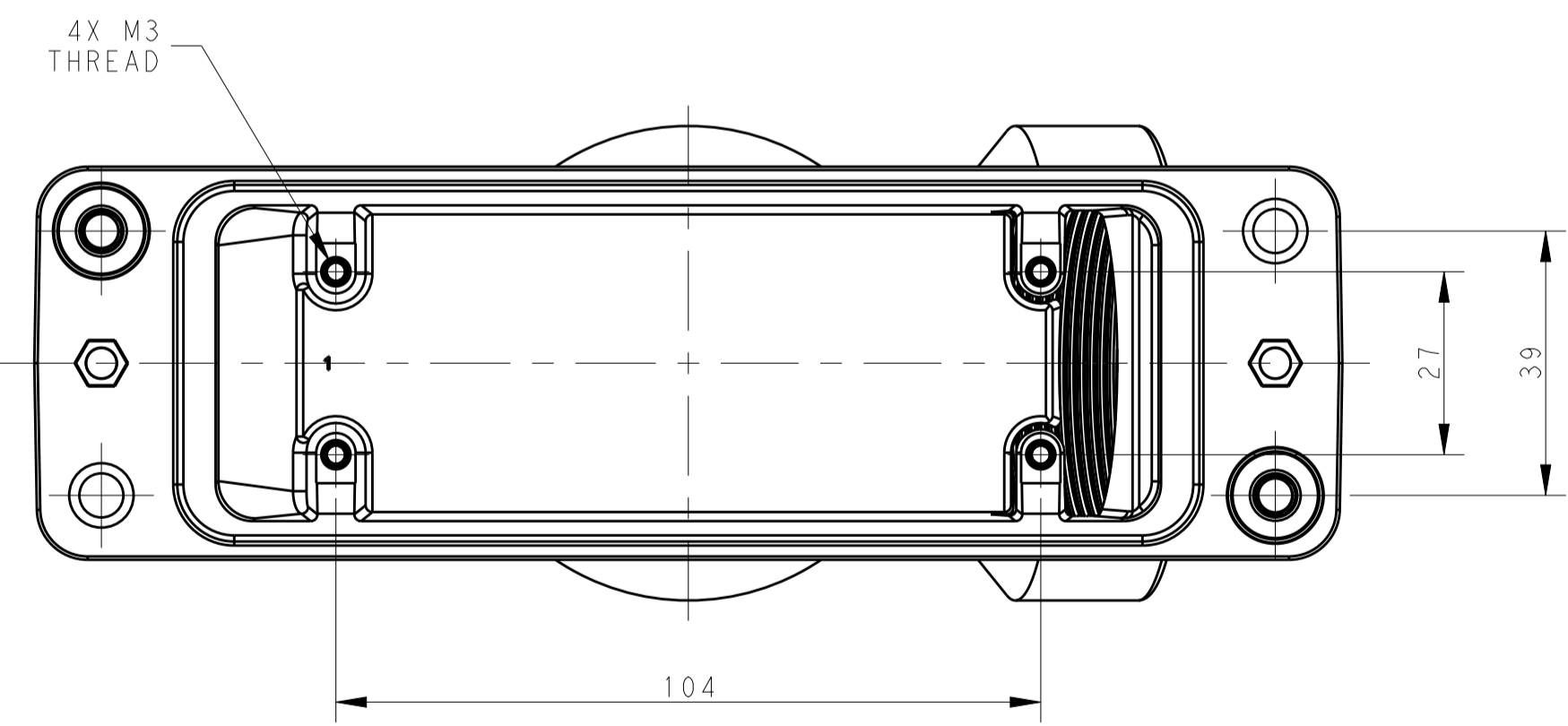


REVISIONS				
P	LTN	DESCRIPTION	DATE	OWN APVD
	A	INITIAL	07JUN2016	RL CW
	A1	ECR-16-012141	30AUG2016	RL CW
	A2	ECR-16-015006	26OCT2016	RL CW



NOTES:
 1. TECHNICAL CHARACTERISTICS:
 HOOD MATERIAL: DIE CAST ALUMINIUM ALLOY
 SURFACE TREATMENT: POWDER COATED, BLACK
 DEGREE OF PROTECTION: IP68 (MATED)
 注释:
 1. 技术参数:
 壳体材料: 铝合金
 表面处理: 黑色粉末喷涂
 防护等级: IP68 (配合)



T1916240163-001	H24BPR-TSH-4S-M63	H24BPR HOOD, QUADRANGE LOCKING, SIDE ENTRY M63, POWDER COATED, BLACK H24BPR上壳, 四角锁定, 侧出M63, 黑色粉末喷涂	M63
T1916240150-001	H24BPR-TSH-4S-M50	H24BPR HOOD, QUADRANGE LOCKING, SIDE ENTRY M50, POWDER COATED, BLACK H24BPR上壳, 四角锁定, 侧出M50, 黑色粉末喷涂	M50
T1916240140-001	H24BPR-TSH-4S-M40	H24BPR HOOD, QUADRANGE LOCKING, SIDE ENTRY M40, POWDER COATED, BLACK H24BPR上壳, 四角锁定, 侧出M40, 黑色粉末喷涂	M40
T1916240132-001	H24BPR-TSH-4S-M32	H24BPR HOOD, QUADRANGE LOCKING, SIDE ENTRY M32, POWDER COATED, BLACK H24BPR上壳, 四角锁定, 侧出M32, 黑色粉末喷涂	M32
T1916240148-001	H24BPR-TSH-4S-PG48	H24BPR HOOD, QUADRANGE LOCKING, SIDE ENTRY PG48, POWDER COATED, BLACK H24BPR上壳, 四角锁定, 侧出PG48, 黑色粉末喷涂	PG48
T1916240142-001	H24BPR-TSH-4S-PG42	H24BPR HOOD, QUADRANGE LOCKING, SIDE ENTRY PG42, POWDER COATED, BLACK H24BPR上壳, 四角锁定, 侧出PG42, 黑色粉末喷涂	PG42
T1916240136-001	H24BPR-TSH-4S-PG36	H24BPR HOOD, QUADRANGE LOCKING, SIDE ENTRY PG36, POWDER COATED, BLACK H24BPR上壳, 四角锁定, 侧出PG36, 黑色粉末喷涂	PG36
T1916240129-001	H24BPR-TSH-4S-PG29	H24BPR HOOD, QUADRANGE LOCKING, SIDE ENTRY PG29, POWDER COATED, BLACK H24BPR上壳, 四角锁定, 侧出PG29, 黑色粉末喷涂	PG29
PART NUMBER 料号	PART DESCRIPTION 描述		PG/M THREAD PG/M 螺纹孔

THIS DRAWING IS A CONTROLLED DOCUMENT.		OWN ROY LIU 07JUN2016	TE Connectivity	
DIMENSIONS:		CHK KYLE ZENG 07JUN2016		
mm	TOLERANCES UNLESS OTHERWISE SPECIFIED:	APVD CHRIS WANG 07JUN2016	NAME H24BPR-TSH-4S-PG/M	
0 PLC ±	1 PLC ±	PRODUCT SPEC	SIZE A1	
2 PLC ±	3 PLC ±	APPLICATION SPEC	CAGE CODE -	
4 PLC ±	ANGLES ±	114-137014	DRAWING NO C-T1916240XXX00X	
MATERIAL	FINISH	WEIGHT	RESTRICTED TO	
-	-	-	SCALE 1:1	
CUSTOMER DRAWING			SHEET 1 OF 1	
			REV A2	