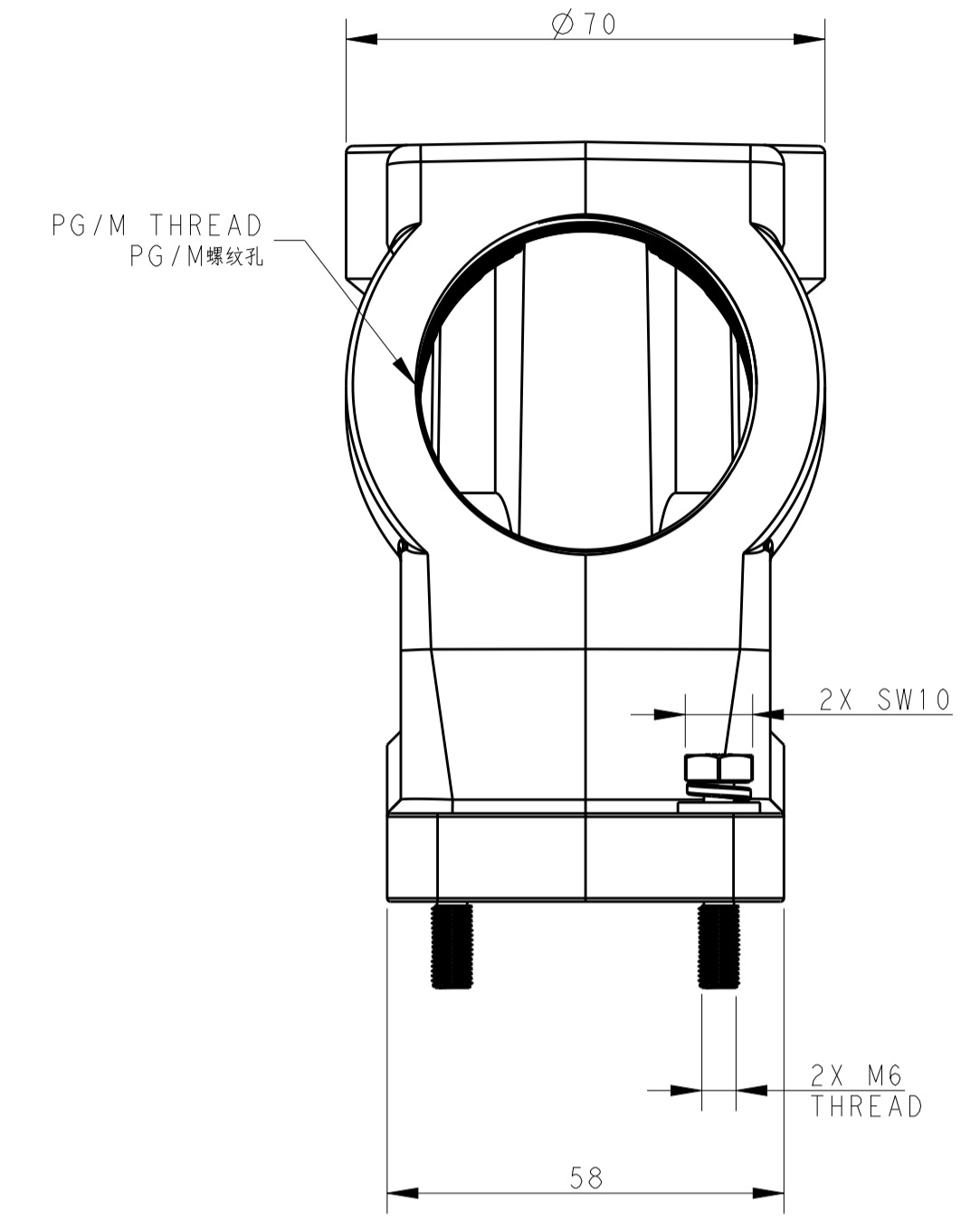
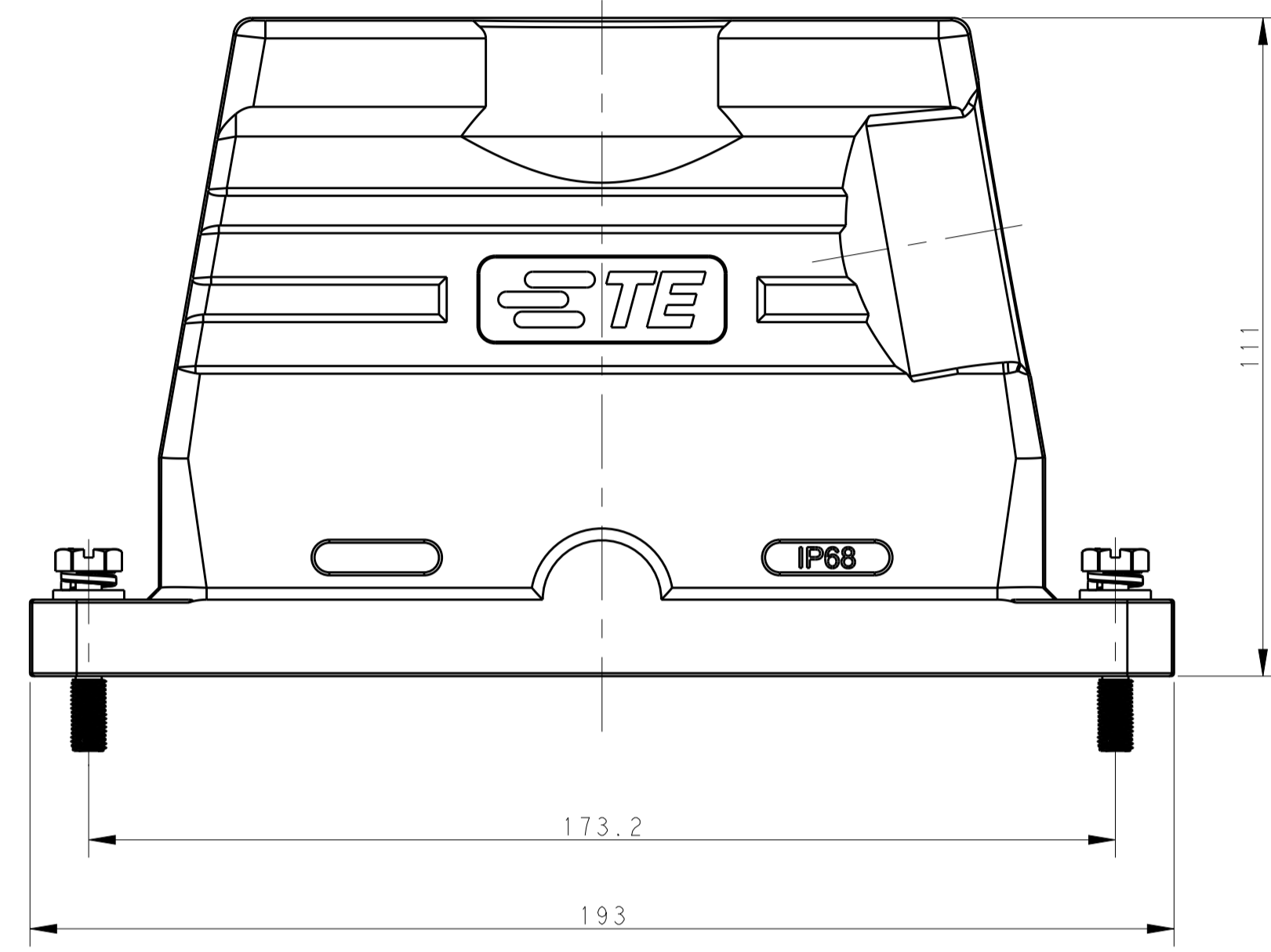
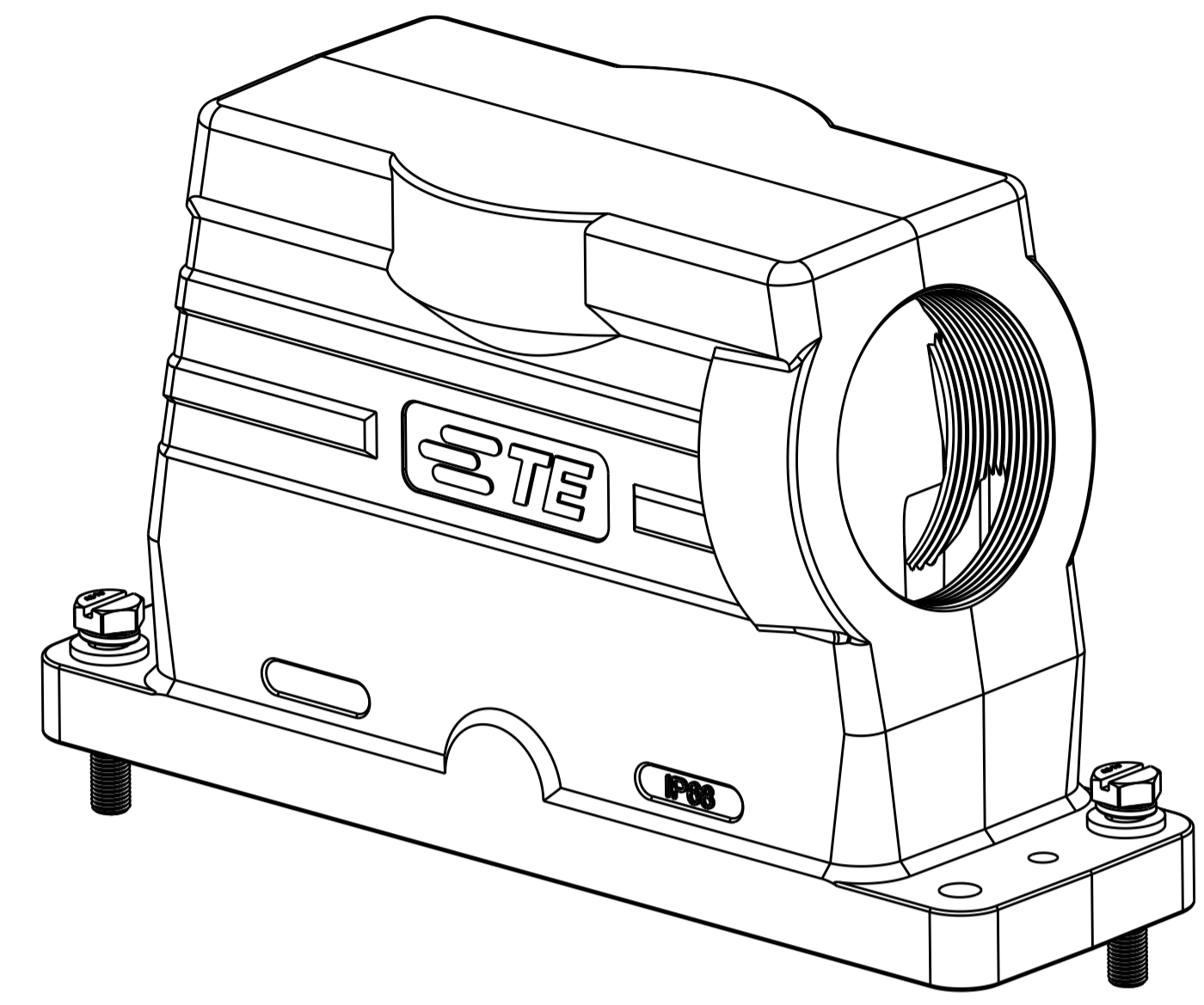
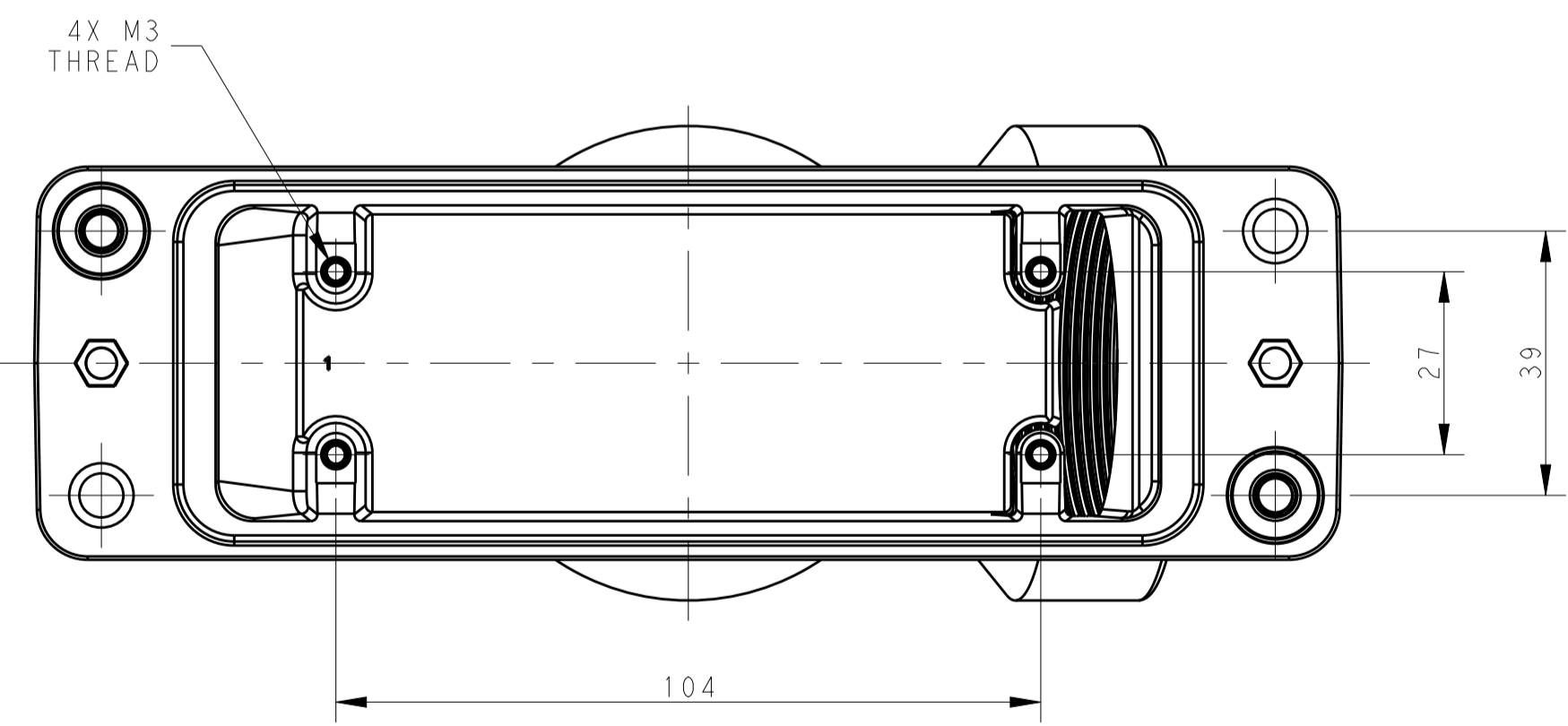


| REVISIONS |     |               |           |       |
|-----------|-----|---------------|-----------|-------|
| P         | LTN | DESCRIPTION   | DATE      | APVD  |
| A         |     | INITIAL       | 07JUN2016 | RL CW |
| A1        |     | ECR-16-012141 | 30AUG2016 | RL CW |
| A2        |     | ECR-16-015006 | 26OCT2016 | RL CW |



NOTES:  
 1. TECHNICAL CHARACTERISTICS:  
 HOOD MATERIAL: DIE CAST ALUMINIUM ALLOY  
 SURFACE TREATMENT: POWDER COATED, BLACK  
 DEGREE OF PROTECTION: IP68 (MATED)

注释:  
 1. 技术参数:  
 壳体材料: 铝合金  
 表面处理: 黑色粉末喷涂  
 防护等级: IP68 (配合)



|                   |                        |   |                         |
|-------------------|------------------------|---|-------------------------|
| T1916240163-001   | H24BPR-TSH-4S-M63      | H24BPR HOOD, QUADRANGE LOCKING, SIDE ENTRY M63, POWDER COATED, BLACK<br>H24BPR上壳, 四角锁定, 侧出M63, 黑色粉末喷涂   | M63                     |
| T1916240150-001   | H24BPR-TSH-4S-M50      | H24BPR HOOD, QUADRANGE LOCKING, SIDE ENTRY M50, POWDER COATED, BLACK<br>H24BPR上壳, 四角锁定, 侧出M50, 黑色粉末喷涂   | M50                     |
| T1916240140-001   | H24BPR-TSH-4S-M40      | H24BPR HOOD, QUADRANGE LOCKING, SIDE ENTRY M40, POWDER COATED, BLACK<br>H24BPR上壳, 四角锁定, 侧出M40, 黑色粉末喷涂   | M40                     |
| T1916240132-001   | H24BPR-TSH-4S-M32      | H24BPR HOOD, QUADRANGE LOCKING, SIDE ENTRY M32, POWDER COATED, BLACK<br>H24BPR上壳, 四角锁定, 侧出M32, 黑色粉末喷涂   | M32                     |
| T1916240148-001   | H24BPR-TSH-4S-PG48     | H24BPR HOOD, QUADRANGE LOCKING, SIDE ENTRY PG48, POWDER COATED, BLACK<br>H24BPR上壳, 四角锁定, 侧出PG48, 黑色粉末喷涂 | PG48                    |
| T1916240142-001   | H24BPR-TSH-4S-PG42     | H24BPR HOOD, QUADRANGE LOCKING, SIDE ENTRY PG42, POWDER COATED, BLACK<br>H24BPR上壳, 四角锁定, 侧出PG42, 黑色粉末喷涂 | PG42                    |
| T1916240136-001   | H24BPR-TSH-4S-PG36     | H24BPR HOOD, QUADRANGE LOCKING, SIDE ENTRY PG36, POWDER COATED, BLACK<br>H24BPR上壳, 四角锁定, 侧出PG36, 黑色粉末喷涂 | PG36                    |
| T1916240129-001   | H24BPR-TSH-4S-PG29     | H24BPR HOOD, QUADRANGE LOCKING, SIDE ENTRY PG29, POWDER COATED, BLACK<br>H24BPR上壳, 四角锁定, 侧出PG29, 黑色粉末喷涂 | PG29                    |
| PART NUMBER<br>料号 | PART DESCRIPTION<br>描述 |   | PG/M THREAD<br>PG/M 螺纹孔 |

|  |  |                                 |                                |  |
|--|--|---------------------------------|--------------------------------|--|
| THIS DRAWING IS A CONTROLLED DOCUMENT. |  | OWN<br>ROY LIU<br>07JUN2016     | TE Connectivity                |  |
| DIMENSIONS:                            |  | CHK<br>KYLE ZENG<br>07JUN2016   |                                |  |
| mm                                     | TOLERANCES UNLESS OTHERWISE SPECIFIED: | APVD<br>CHRIS WANG<br>07JUN2016 | NAME<br>H24BPR-TSH-4S-PG/M     |  |
| 0 PLC ±                                | 0.15                                   | PRODUCT SPEC                    | SIZE<br>A1                     |  |
| 2 PLC ±                                | 0.25                                   | APPLICATION SPEC                | CAGE CODE<br>-                 |  |
| 3 PLC ±                                | 0.38                                   | 114-137014                      | DRAWING NO<br>C-T1916240XXX00X |  |
| 4 PLC ±                                | 0.51                                   | 114-137014                      | RESTRICTED TO                  |  |
| ANGLES ±                               | 0.25                                   | WEIGHT                          | SCALE<br>1:1                   |  |
| MATERIAL                               | FINISH                                 | CUSTOMER DRAWING                | SHEET 1 OF 1                   |  |
|  |  |                                 | REV<br>A2                      |  |