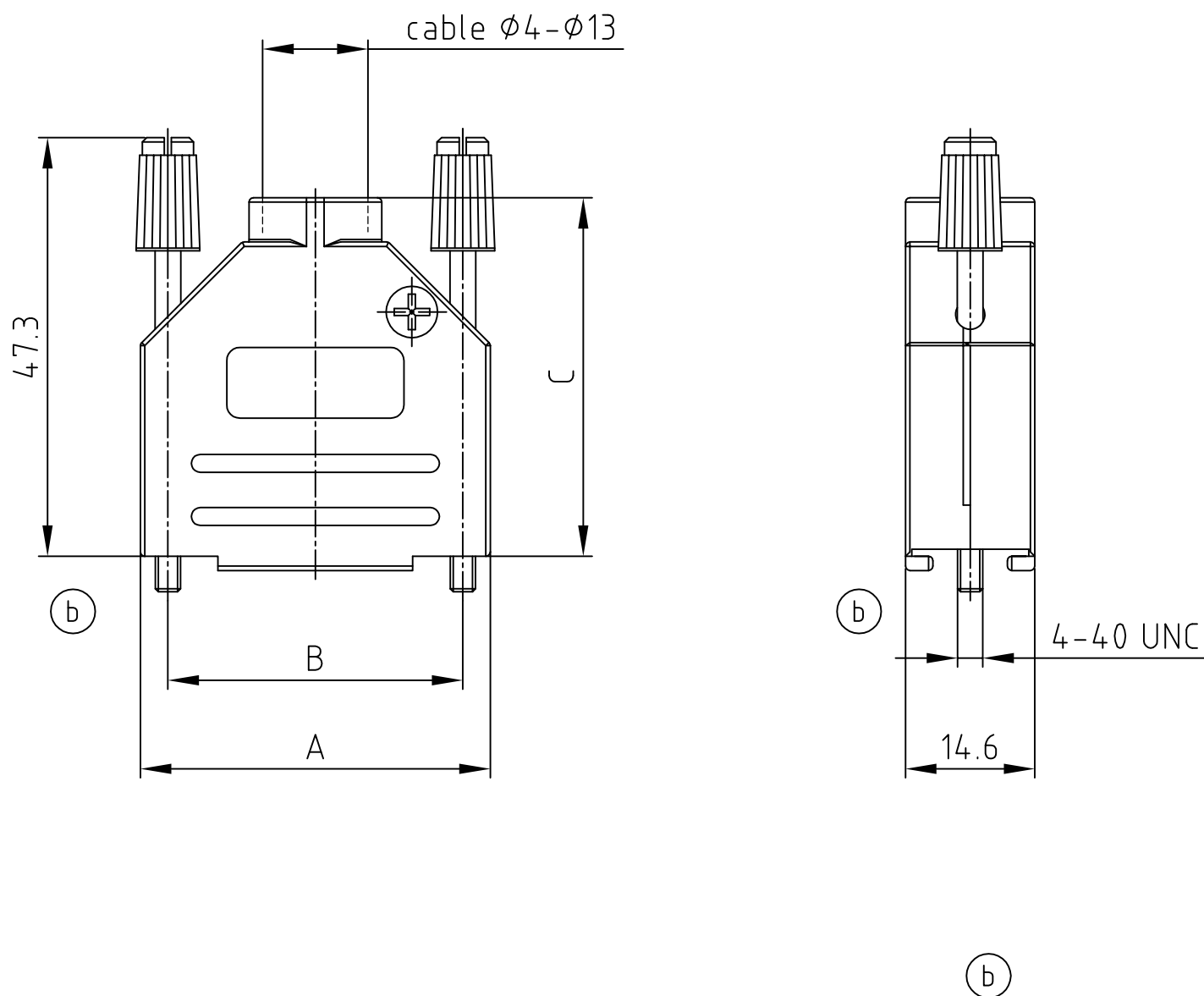


used for: D-SUB



No. of pos.	A	B	C	Part NO.
9	31.2	25.0	38.3	165X02609X
15	39.3	33.3	40.5	165X02619X
25	53.4	47.0	47.8	165X02629X
37	69.9	63.5	52.2	165X02639X

ⓑ TECHNICAL DATA:

1. BACKSHELL HALVES: ZINC DIE-CAST; NICKEL PLATED
2. ASSEMBLY SCREWS: STEEL; TIN PLATED
3. JACK SCREWS: STEEL; TIN PLATED + PA6
4. CABLE STRAIN RELIEF: PC
5. TEMPERATURE RANGE: -40°C to +120°C
6. ATTENUATION FACTOR: >40dB BETWEEN 30 MHz AND 1 GHz
7. ASSEMBLY INSTRUCTION SEE SHEET 2

Directive 2002/95/EC RoHS compliant

THIS DRAWING MAY NOT BE COPIED OR REPRODUCED IN ANY WAY, AND MAY NOT BE PASSED ON TO A THIRD PARTY WITHOUT WRITTEN PERMISSION.
 OWNERSHIP AND COPYRIGHT OF CONEC GmbH
 DO NOT ALTER CAD DRAWING BY HAND

				tolerance		dim. in mm
2002	date	name				
drawn	18.07.	Parei				
appd.	18.07.	E. Mickenbecker				
norm						
d-old						
4 x b	Ä 4169	30.11.2011	Lehmen.			
a	Original					
rev.	description	date	name			



scale:	1:1
material:	SEE NOTES
title:	METAL HOOD 9-37pos. EMI/RFI SHIELDING with straight cable exit and jack screws
dwg no:	DIN-A 4
	sh:1/2
part no:	SEE TABLE

4

3

2

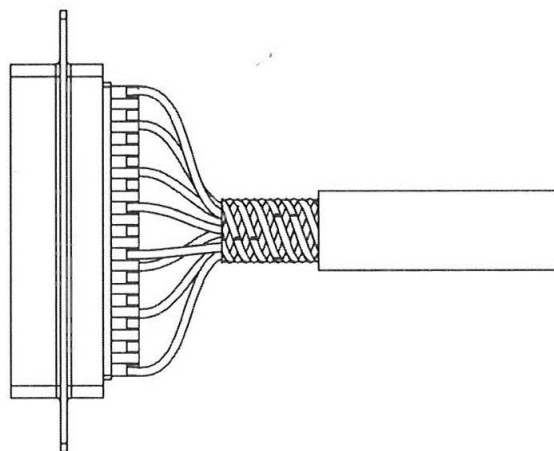
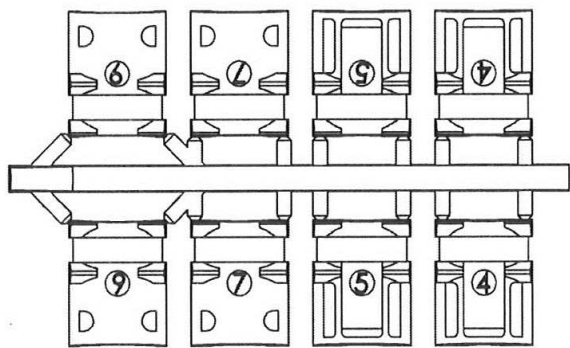
1

used for: D-SUB

ASSEMBLY INSTRUCTION:

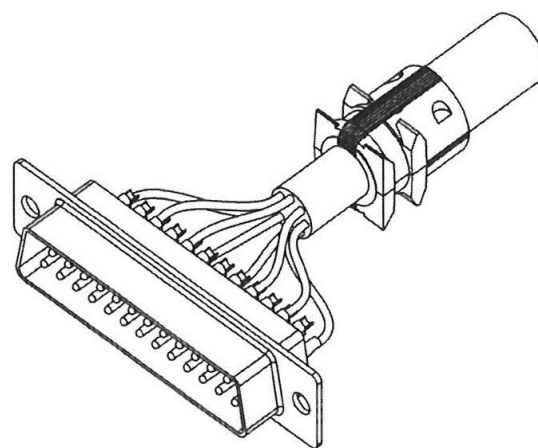
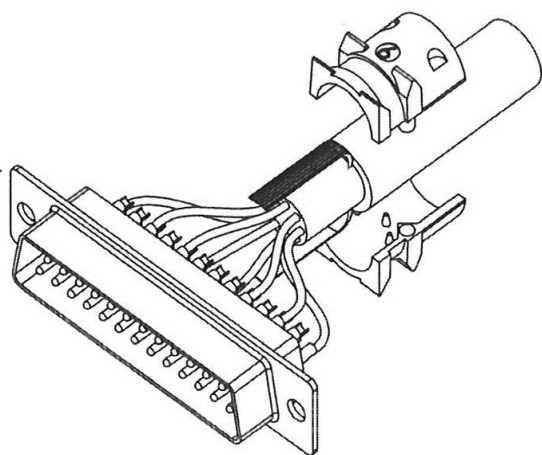
Use two halves of strain relief
different sizes can be mixed

Strip cable 18mm and
shape cable to two pigtails



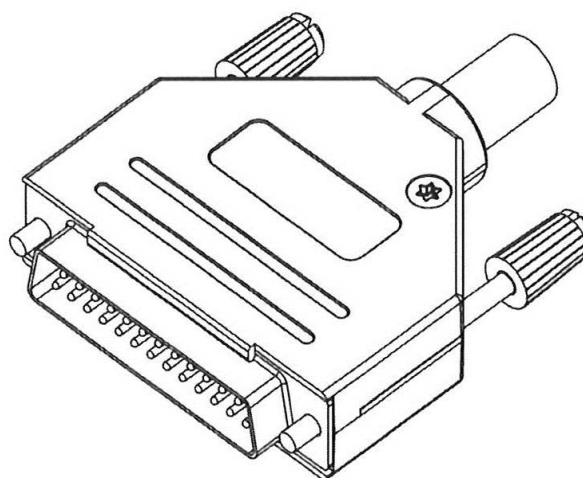
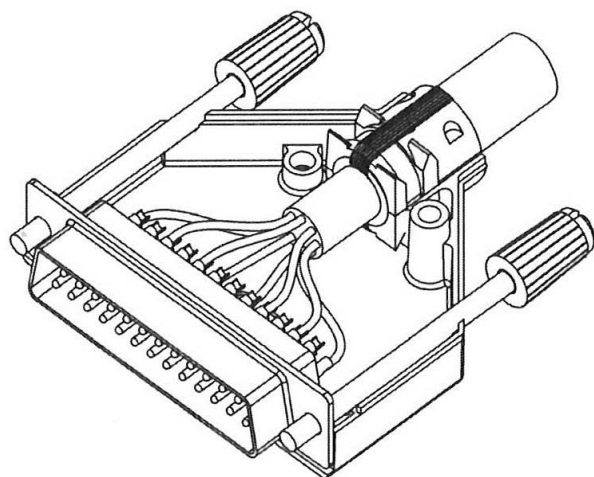
Attach the strain relief around the cable

Bend cable shielding back
on outside of strain relief



Mount connector and cable
into the backshell

Assemble the other half
screwing force: 100-120 Ncm.



THIS DRAWING MAY NOT BE COPIED OR REPRODUCED IN ANY WAY, AND MAY NOT BE PASSED ON TO A THIRD PARTY WITHOUT WRITTEN PERMISSION.
OWNERSHIP AND COPYRIGHT OF CONEC GmbH
DO NOT ALTER CAD DRAWING BY HAND

				tolerance			scale:	
				dim. in mm			material:	
				2011	date	name	title: ASSEMBLY INSTRUCTION METAL HOOD 9-37pos. EMI/RFI SHIELDING with straight cable exit and jack screws	
				drawn	30.11.	Lehmenkühler		
				appd.	30.11.	Fischer		
				norm				
				d-old				
a	Original			CONEC [®]			dwg no:	DIN-A 4
rev.	description	date	name				part no:	SEE SHEET 1

4

3

2

1