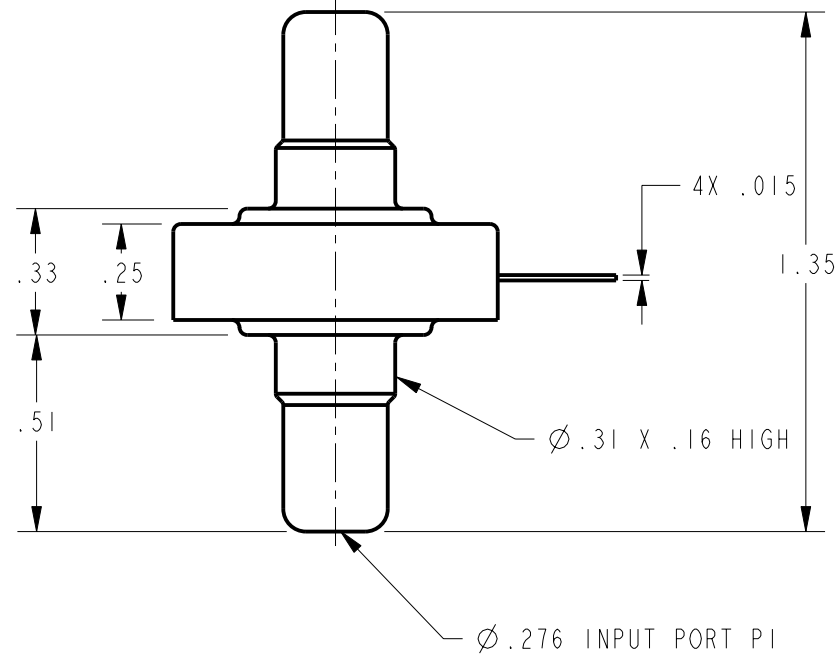
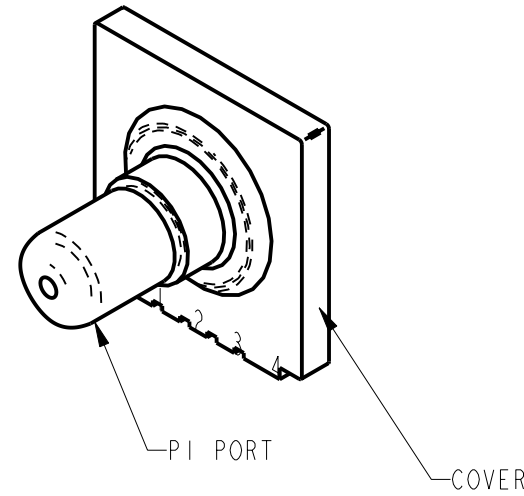
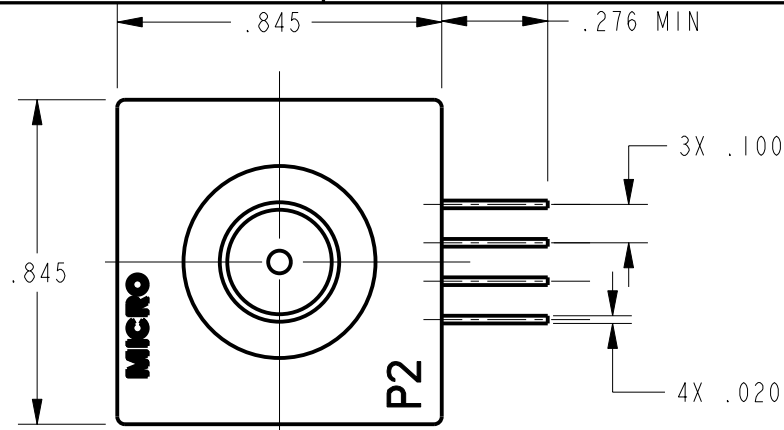


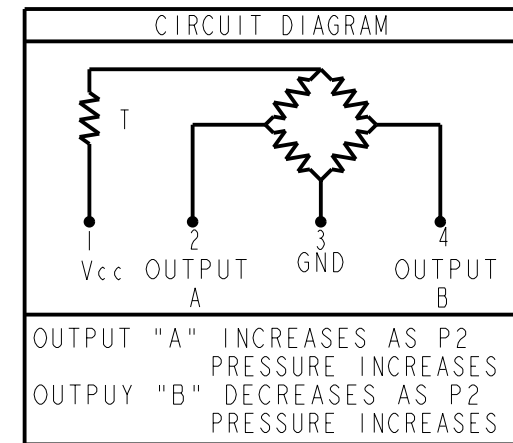
**GENERAL OPERATING CHARACTERISTICS**  
(ELECTRICAL PERFORMANCE AT 10.0±0.01 VDC EXCITATION, 25°C)

PARAMETERS	PRESSURE RANGES (H <sub>2</sub> O)	MIN	TYP	MAX	UNITS
NULL OFFSET	ALL	-2	0	+2	MV
NULL SHIFT $\triangle 5$ 0° ← 25°C → 50°		-1.2		+1.2	
P2 > P1 F.S.O. $\triangle 3$ (FULL SCALE OUTPUT)	0 TO 07 D & G	26	28	30	MV
P2 > P1 SENSITIVITY PER IN. H <sub>2</sub> O	0 TO 07 D		1.5		
F.S.O. SHIFT $\triangle 5$ 0° ← 25°C → 50° AT 10 VDC AT 2mA	ALL			± 3.5	%F.S.O.
			NONE		
P2 > P1 PI > P2 LINEARITY (BESL)	0 TO 07 D 0 TO 07 D			± 3.0 ± 1.5	
REPEATABILITY & HYSTERESIS			± 0.25		VDC
STABILITY OVER 1 YEAR			± 1.5		
EXCITATION VOLTAGE	ALL		10	16	
INPUT RESISTANCE			6.3K		OHMS
(P2 > P1) (PI > P2) OVERPRESSURE	0 TO 07			140	IN. H <sub>2</sub> O
TEMPERATURE STORAGE OPERATE COMPENSATED	ALL				



**NOTES**

- 1 - TERMINALS ARE PLATED FOR SOLDERING
- 2 - LIMIT SOLDERING TO 315°C MAX FOR 10 SECONDS MAX
- $\triangle 3$  F.S.O. IS THE ALGEBRAIC DIFFERENCE BETWEEN END POINTS (OUTPUT AND MINIMUM AND MAXIMUM PRESSURE)
- 4 - INPUT MEDIA: P1 - DRY GASES ONLY: CONNECTION SIDE OF SENSOR  
P2 - LIMITED ONLY TO THOSE MEDIA THAT WILL NOT ATTACK  
POLYESTER, SILICON OR SILICONE BASED ADHESIVE
- $\triangle 5$  TEMPERATURE ERROR IS CALCULATED WITH RESPECT TO 25°C AND EXPRESSES THE DEVIATION THAT COULD OCCUR AS TEMPERATURE IS RAISED OR LOWERED TO LIMITS INDICATED



THIRD ANGLE PROJECTION

SCALE 2 : 1

DO NOT SCALE PRINT

UNLESS OTHERWISE SPECIFIED TOLERANCES ARE

ONE PLACE (.0)	±.030
TWO PLACE (.00)	±.015
THREE PLACE (.000)	±.005
ANGLES	±

WEIGHT 2 0Z

CATALOG LISTING 176PC07HD33  
 PAGE 1 OF 1  
 RELEASE NO. PR-22764  
 REPLACES -  
 ISSUE 2  
 CHECK  
 REVISIONS  
 A 205984  
 D L T  
 17 JUL 02  
 CHECK  
 SAV  
 17 JUL 02  
 CHECK  
 DRAWN  
 PTC/CAD 2D  
 D L T 17 JUL 02  
 CHECK