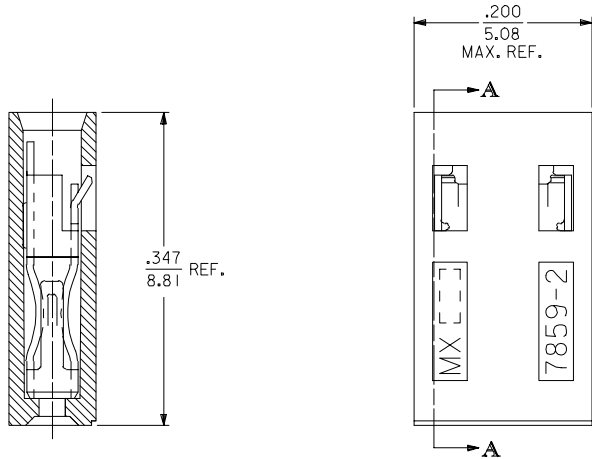
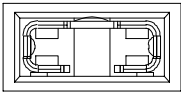
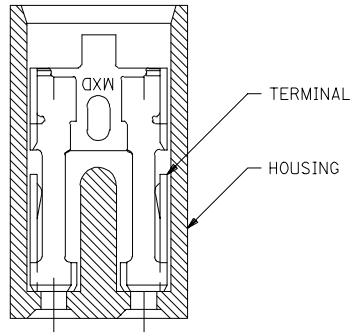
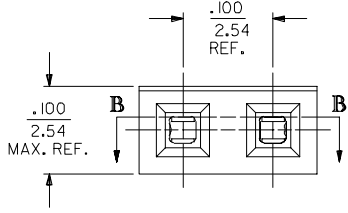


ENG NO.	FINISH
7859-1024	TIN OVERALL



SECTION A-A



SECTION B-B

PART IDENTIFICATION:

7859-102*
 └ PLATING SPECIFICATION

NOTES:

- MATERIAL:
 HOUSING: GLASS FILLED POLYESTER: 94V-0: COLOR: BLACK
 TERMINAL: PHOSPHOR BRONZE ALLOY
- THIS PRODUCT CONFORMS TO MOLEX PRODUCT SPEC:
 PS-7859.
- TO BE USED WITH: .025/0.64 SQUARE PINS.
- MINIMUM MATING PIN LENGTH: .200/5.08.
- PRODUCT IN PACKAGED IN BOXES PER PK-70873-0815.

FINISH SPECIFICATION

TIN OVERALL - .000150 MINIMUM TIN PLATE OVER
 .000050 MINIMUM NICKEL UNDERPLATE.
 15 GOLD - .000015 MINIMUM GOLD PLATE IN SELECT AREA OVER
 .000050 MINIMUM NICKEL UNDERPLATE OVERALL.
 30 GOLD - .000030 MINIMUM GOLD PLATE IN SELECT AREA OVER
 .000050 MINIMUM NICKEL UNDERPLATE OVERALL.

INITIAL RELEASE FC NO: UCP2006-1496 DRAWN BY: BSMART 2006/01/17 CHKD: BBARKER 2006/01/17 APPR: SMILLER 2006/01/19 REV: A	QUALITY SYMBOLS ▽=0 ▽=0	GENERAL TOLERANCES (UNLESS SPECIFIED) mm INCH 4 PLACES ± --- ± --- 3 PLACES ± --- ± .005 2 PLACES ± 0.13 ± .01 1 PLACE ± 0.25 ± --- ANGULAR ±1/2°	DIMENSION STYLE IN/MM DRAWN BY: BSMART DATE: 12/29/2005 CHECKED BY: BBARKER DATE: 12/29/2005 APPROVED BY: SMILLER DATE: 12/29/2005	SCALE: 4:1 DESIGN UNITS: INCH THIRD ANGLE PROJECTION	TITLE: SALES ASSEMBLY 2 CIRCUIT SHUNT TERMINAL W/OPEN END	MATERIAL NO. SD-7859-002 DOCUMENT NO. SD-7859-002 SHEET NO. 1 OF 1
		DRAFT WHERE APPLICABLE MUST REMAIN WITHIN DIMENSIONS		SEE TABLE		MOLEX INCORPORATED