

Main

| | |
|---------------------------------------|--|
| Range of product | OsiSense XU |
| Series name | Application material handling |
| Electronic sensor type | Photo-electric sensor |
| Sensor name | XUV |
| Sensor design | Frame |
| Detection system | Thru beam |
| Emission | Infrared |
| Way dimensions of optical frame | 200 x 120 mm |
| Material | Metal |
| Supply circuit type | DC |
| Wiring technique | 4-wire |
| Discrete output type | PNP or NPN |
| Discrete output function | 1 NO or 1 NC programmable |
| Electrical connection | M12 1 male connector, 4 pins |
| Product specific application | Dynamic detection of passage of objects Static detection of passage of objects |
| Minimum object diameter for detection | Dynamic mode: 0.16 in (4 mm) (0.33...49.21 ft/s (0.1...15 m/s)) Static mode: 0.24 in (6 mm) |

Complementary

| | |
|---------------------------|---|
| Enclosure material | Painted aluminium |
| Lens material | Altuglass |
| Type of output signal | Discrete |
| Output type | Solid state |
| Add on output | With alarm output |
| Status LED | 1 LED (red) alarm 1 LED (amber) output state |
| [Us] rated supply voltage | 24 V DC with reverse polarity protection |
| Supply voltage limits | 18...30 V DC |
| Switching capacity in mA | <= 100 mA (overload and short-circuit protection) |
| Switching frequency | > 5000 Hz |
| Voltage drop | < 2 V (closed state) |
| Current consumption | <= 150 mA (no-load) |
| Time delay range | 0...5 s off-delay delay |
| Delay first up | <= 100 ms |
| Delay recovery | < 0.1 ms |
| Setting-up | Sensitivity adjustment with potentiometer |
| Depth | 0.98 in (25 mm) |
| Height | 9.06 in (230 mm) |
| Width | 8.07 in (205 mm) |
| Product weight | 2.34 lb(US) (1.06 kg) |

Environment

| | |
|---------------------------------------|----------------------------|
| product certifications | CE CULus |
| ambient air temperature for operation | 32...140 °F (0...60 °C) |
| ambient air temperature for storage | -4...176 °F (-20...80 °C) |
| immunity to ambient light | <= 10000 lux with sunlight |

The information provided in this documentation contains general descriptions and/or technical characteristics of the products contained herein. This documentation is not intended as a substitute for and is not to be used for determining suitability or reliability of these products for specific user applications. It is the duty of any such user or integrator to perform the appropriate and complete risk analysis, evaluation and testing of the products with respect to the relevant specific application or use thereof. Neither Schneider Electric Industries SAS nor any of its affiliates or subsidiaries shall be responsible or liable for misuse of the information contained herein.

| | |
|-------------------------|--|
| | <= 3000 lux with incandescent light |
| vibration resistance | 25 gn, amplitude = +/- 2 mm (f = 10...55 Hz) conforming to IEC 60068-2-6 |
| shock resistance | 30 gn (duration = 11 ms) conforming to IEC 60068-2-27 |
| IP degree of protection | IP65 conforming to IEC 60529 |

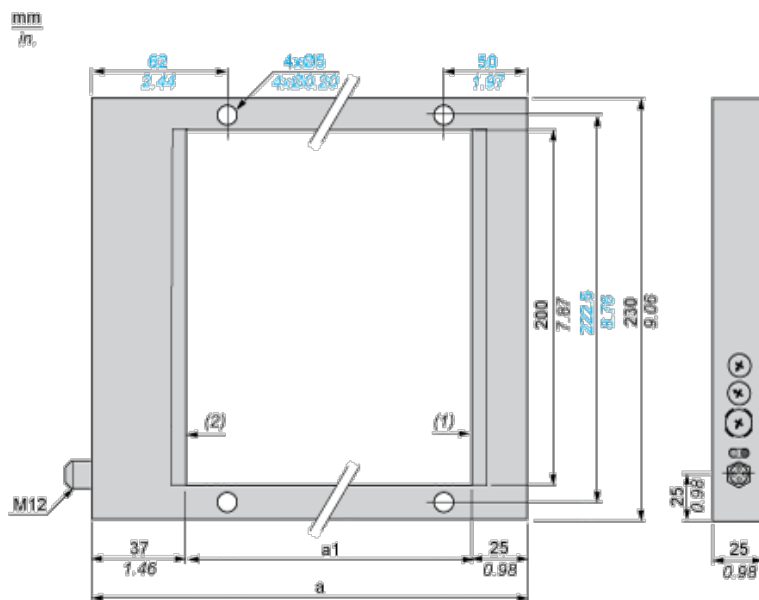
Offer Sustainability

| | |
|--|--|
| Not Green Premium product | Not Green Premium product |
| Compliant - since 0724 - Schneider Electric declaration of conformity | Compliant - since 0724 - Schneider Electric declaration of conformity |
| WARNING: This product can expose you to chemicals including: | WARNING: This product can expose you to chemicals including: |
| Diisononyl phthalate (DINP), which is known to the State of California to cause cancer, and | Diisononyl phthalate (DINP), which is known to the State of California to cause cancer, and |
| Di-isodecyl phthalate (DIDP), which is known to the State of California to cause birth defects or other reproductive harm. | Di-isodecyl phthalate (DIDP), which is known to the State of California to cause birth defects or other reproductive harm. |
| For more information go to www.p65warnings.ca.gov | For more information go to www.p65warnings.ca.gov |

Contractual warranty

| | |
|-----------------|-----------|
| Warranty period | 18 months |
|-----------------|-----------|

Dimensions



(1) Transmitting face

(2) Reception face

Dimensions in mm

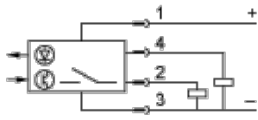
| a | a1 |
|-----|-----|
| 182 | 120 |

Dimensions in in.

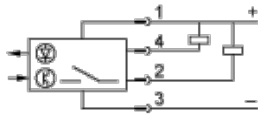
| a | a1 |
|------|------|
| 7.17 | 4.72 |

Wiring Schemes (4-Wire DC)

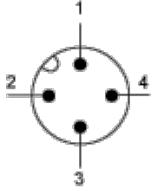
PNP Output



NPN Output



Connector Scheme



- 1 : +
- 2 : Not connected
- 3 : -
- 4 : Output