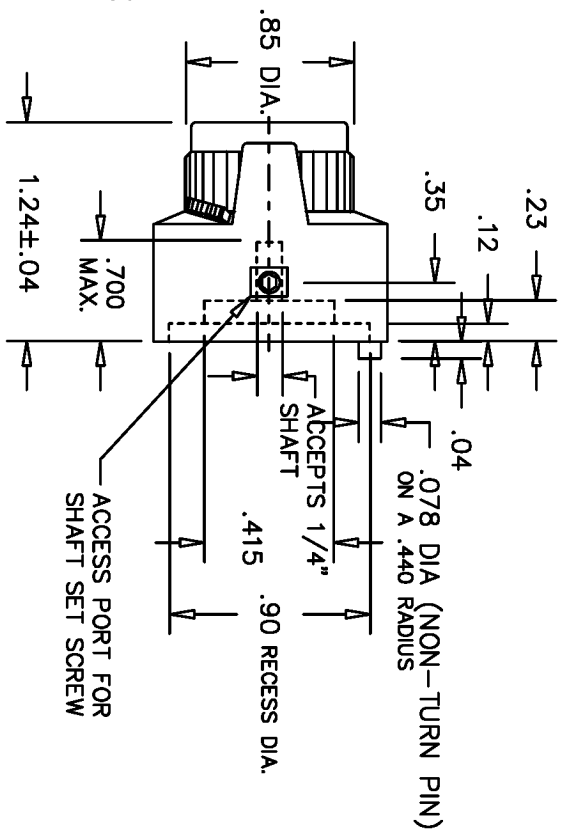
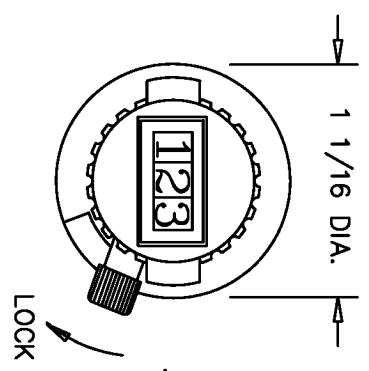
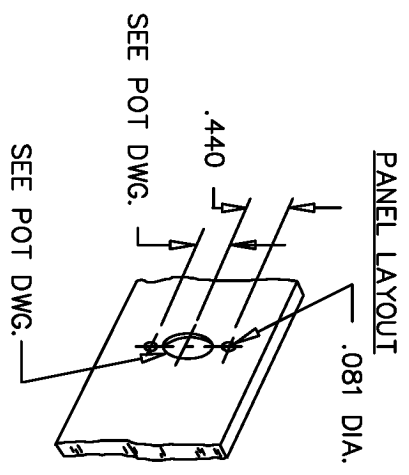


THIS DOCUMENT CONTAINS PROPRIETARY DATA OF POLARIS INDUSTRIAL ENTERPRISES, INC. NO DISCLOSURE, REPRODUCTION, OR USE OF ANY PART THERE OF MAY BE MADE EXCEPT BY WRITTEN PERMISSION.

REV.	BY	DATE	APPRVL.	P/N
C	DMS	3/23/98	BT	DC27
				ADDED SHAFT CHART

**SPECIFICATIONS**

ACCURACY ----- ±0.35% OF VOLTAGE RATIO  
 REPEATABILITY ----- ±0.02% OR RESOLUTION OF POT  
 OPERATING TEMPERATURE RANGE ----- -30°C TO 85°C  
 TURNS ----- 10 (000 TO 999 COUNTS)  
 LOCK ----- OVER THE CENTER  
 HOUSING MATERIAL ----- HIGH TEMP. BLACK PLASTIC

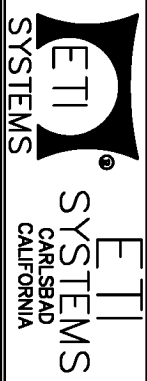


**NOTES**

1. COMPATIBLE ETI SYSTEMS POTENTIOMETERS 3 TO 30 TURNS.  
 MW20B    MW46B    MH20B  
 MW22B    MR46B    MH46B
2. POT/DIAL COMBINATIONS AVAILABLE  
 SEE ETI SPECIFICATION DC22.
3. OTHER SHAFT SIZE BUSHINGS AVAILABLE
4. NUMBERS INCREASE WITH CLOCKWISE ROTATION

PART #	SHAFT DIA.	LOCKING UNIT
DC27L-1/4	0.250	YES
DC27N-1/4	0.250	NO
DC27L-1/8	0.125	YES
DC27N-1/8	0.125	NO
DC27L-6mm	6mm	YES
DC27N-6mm	6mm	NO
DC27L-3mm	3mm	YES
DC27N-3mm	3mm	NO

TOLERANCES		DATE: 3/18/98	
XX = +/- .010" FRACT.	= +/- 1/64"	BY	DMS
XXX = +/- .005" ANGLES = +/- 1/2°		APPRV'D	BT
ALL SPECIFICATIONS SUBJECT TO CHANGE WITHOUT NOTICE			
SCALE		CODE IDENT: 19477	
N/A			



**TURNS COUNTING DIAL**

**PART NO. DC27**