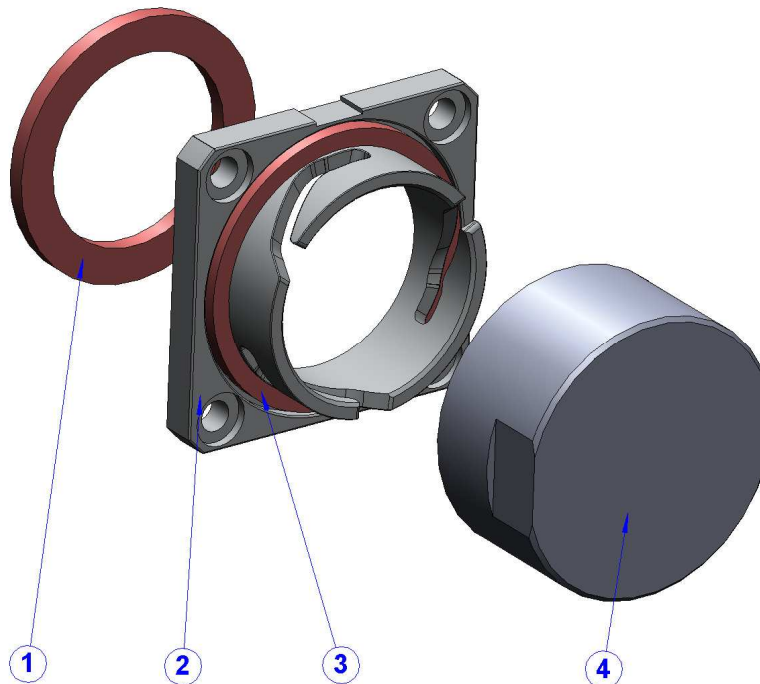


Dimensions in mm



**PATENT PENDING**

### DESCRIPTION

REP	COMPONENT	MATERIALS	PLATING
1	GASKET PANEL SEALING	SILICONE	
2	RECEPTACLE BODY	BRASS	NICKEL OVER COPPER
3	GASKET CONNECTION SEALING	SILICONE	
4	PROTECTION CAP	ALUMINIUM (matt finish)	NONE

### GENERAL CHARACTERISTICS

<b>Mechanical :</b> Endurance Vibrations	100 mating cycles In accordance with IEC 61300-2-1 IEC 60721-3-4 class 4M5 ETSI EN 300 019-2-4
<b>Environmental:</b> Protection Operating temperature	IP67 (plugged with metal protection cap or mated part) -40°C to + 85°C
<b>Weight :</b>	45g

<b>CREATION</b> N°Project : EPC0812 Name: RV Date: 26/07/2010 Appr.: BD				
	1212 A	Add matt finish on protection cap	G CHEN	F WU
	1114 A	Update	MR	BD
	1030 A	Creation	RV	BD
	Issue	Revisions	Name	Appr.

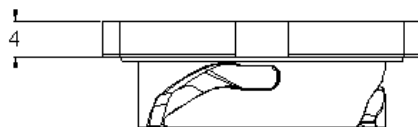
**RADIALL®**  
 101, rue P. Hoffmann  
 93116 ROSNY/BOIS  
 FRANCE  
 Tel : (33) 0149353535  
 Fax : (33) 0148546363

Dimensions in mm

4 counter bore  $\varnothing 6,1$  (depth 1mm)



**COUPE A-A**



**PANEL CUT OUT :**



**PACKAGING :**

84 pieces in one cardboard box (volume = 5 L)

<p><b>CREATION</b> N°Project : EPC0812 Name: RV Date: 26/07/2010 Appr.: BD</p>				
	1212 A	Add matt finish on protection cap	G CHEN	F WU
	1114 A	Update	MR	BD
	1030 A	Creation	RV	BD
Issue	Revisions	Name	Appr.	

**RADIALL®**  
101, rue P. Hoffmann  
93116 ROSNY/BOIS  
FRANCE  
Tel : (33) 0149353535  
Fax : (33) 0148546363