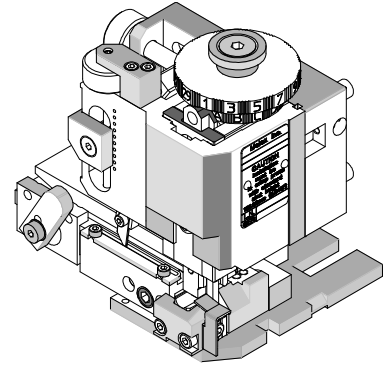




FineAdjust Applicator Specification Sheet Order No. 63862-9100



FEATURES

- Quick punch removal with the push of a button for fast and easy tooling change
- Applicator designed to industry standard mounting and shut height 135.80mm (5.346")
- Quick set-up time; plus the crimp height, track and feed adjustments can be set without removing the applicator from the press
- Fine adjustment allows users to achieve target with little effort by adjusting in increments of 0.15mm (.0006") for conductor crimp height and .063mm (.0025") for insulation height
- Independent adjustment rings allow users to quickly adjust the conductor or insulation crimp height without affecting each other
- Directly adapts to most automatic wire processing machines

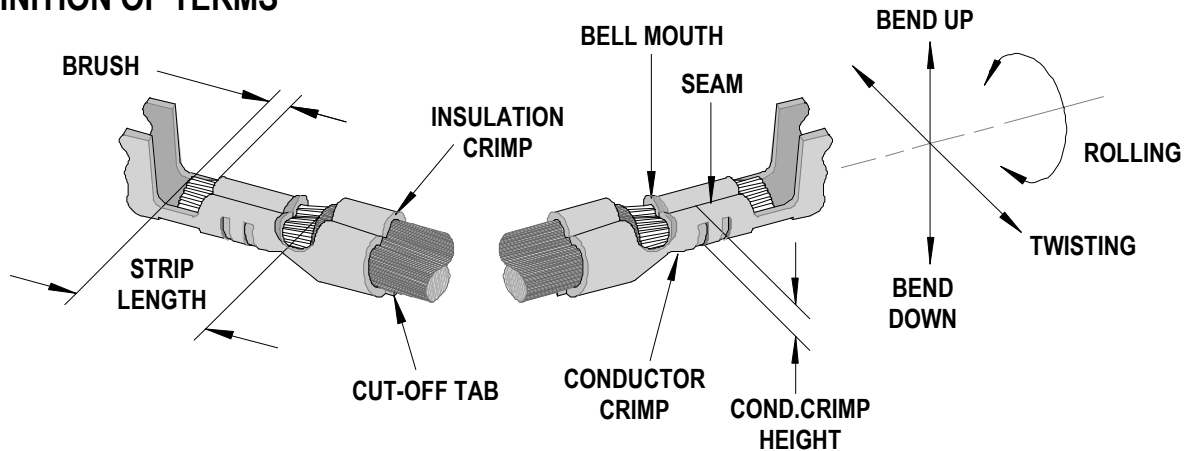
SCOPE

Products: Male and Female Crimp Terminals, 14-18 AWG.

Terminal Series No.	Terminal Order No.	Wire Size		Insulation Diameter				Strip Length	
				IPC/WHMA-A620 ♦		Terminal Maximum ♦♦		mm	In.
		AWG	mm ²	mm	In.	mm	In.		
35745	35745-0210	14-18	2.00-0.80	2.80-3.40	.110-.134	3.40	.134	4.00-4.80	.157-.189
35746	35746-0210	14-18	2.00-0.80	2.80-3.40	.110-.134	3.40	.134	4.00-4.80	.157-.189
35747	35747-0210	14-18	2.00-0.80	2.80-3.40	.110-.134	3.40	.134	4.00-4.80	.157-.189
35748	35748-0210	14-18	2.00-0.80	2.80-3.40	.110-.134	3.40	.134	4.00-4.80	.157-.189

♦ To achieve optimum IPC-A620 insulation crimps, use this insulation OD range.
♦♦ Overall insulation OD specification for terminal.

DEFINITION OF TERMS



The above terminal drawing is a generic terminal representation. It is not an image of a terminal listed in the scope.

CRIMP SPECIFICATION

Terminal Series No.	Bell mouth		Cut-off Tab Maximum		Conductor Brush	
	mm	In.	mm	In.	mm	In.
35745	0.20-0.50	.008-.020	0.30	.012	0.30-0.80	.012-.032
35746	0.20-0.50	.008-.020	0.30	.012	0.30-0.80	.012-.032
35747	0.20-0.50	.008-.020	0.30	.012	0.30-0.80	.012-.032
35748	0.20-0.50	.008-.020	0.30	.012	0.30-0.80	.012-.032

Terminal Series No.	Bend up	Bend down	Twist	Roll	Punch Width (Ref)				Seam
					Conductor		Insulation		
	Degree		Degree		mm	In	mm	In	
35745	3	3	3	5	2.50	.098	3.40	.134	Seam shall not be open and no wire allowed out of the crimping area
35746	3	3	3	5	2.50	.098	3.40	.134	
35747	3	3	3	5	2.50	.098	3.40	.134	
35748	3	3	3	5	2.50	.098	3.40	.134	

After crimping, the conductor profile should measure the following.

Terminal Series No.	Wire Size		Conductor Crimp Height		Pull Force Minimum	
	AWG	mm ²	mm	In.	N	Lb.
35745	14	2.00	1.60-1.70	.063-.067	147.1	33.1
	16	1.30	1.50-1.60	.059-.063	127.6	28.7
	18	0.80	1.40-1.50	.055-.059	97.8	22.0
35746	14	2.00	1.60-1.70	.063-.067	147.1	33.1
	16	1.30	1.50-1.60	.059-.063	127.6	28.7
	18	0.80	1.40-1.50	.055-.059	97.8	22.0
35747	14	2.00	1.60-1.70	.063-.067	147.1	33.1
	16	1.30	1.50-1.60	.059-.063	127.6	28.7
	18	0.80	1.40-1.50	.055-.059	97.8	22.0
35748	14	2.00	1.60-1.70	.063-.067	147.1	33.1
	16	1.30	1.50-1.60	.059-.063	127.6	28.7
	18	0.80	1.40-1.50	.055-.059	97.8	22.0

Pull Force should be measured with no influence from the insulation crimp.
 The above specifications are guidelines to an optimum crimp.

PARTS LIST

FineAdjust Applicator 63862-9100				
Item	Order No	Engineering No.	Description	Quantity
Perishable Tooling				
	63862-9170	63862-9170	Tool Kit (All "Y" Items)	REF
1	63444-2510	63444-2510	Conductor Punch	1 Y
2	63445-2568	63445-2568	Conductor Anvil	1 Y
3	63446-3414	63446-3414	Insulation Punch	1 Y
4	63445-3421	63445-3421	Insulation Anvil	1 Y
5	63443-0002	63443-0002	Cut-Off Plunger	1 Y
6	63443-0012	63443-0012	Front Plunger Retainer	1 Y
Other Components (REF 629050)				
7	11-18-4083	60707-8	Front Cover	1
8	11-24-1067	4996-4	Cut-off Plunger Spring	1
9	63443-0009	63443-0009	Scrap Chute Front	1
10	63443-0021	63443-0021	Lower Tooling Key	1
11	63443-2415	63443-2415	Anvil Mount	1
12	63443-3160	63443-3160	Front Plunger Striker	1
13	63443-4006	63443-4006	Wire Stop	1
14	63443-6011	63443-6011	Rear Cover	1
Frame				
15	63800-4901	63800-4901	Top	1
16	63801-3281	63801-3281	Base	1
17	63801-4650	63801-4650	Track	1
Hardware				
18	N/A	N/A	M3 by 6 Long SHCS	2**
19	N/A	N/A	M4 by 6 Long SHCS	1**
20	N/A	N/A	M4 by 12 Long BHCS	2**
21	N/A	N/A	M4 by 16 Long SHCS	1**
22	N/A	N/A	M4 by 20 Long SHCS	1**
23	N/A	N/A	M4 by 50 Long SHCS	1**
24	N/A	N/A	3MM by 6 Long Roll Pin	1**
25	N/A	N/A	#10-32 by 3/8" Long Flat Point SSS	1**
26	N/A	N/A	#10-32 Hex Jam Nut	1**
** Available from an industrial supply company such as MSC (1-800-645-7270).				

Assembly Drawing

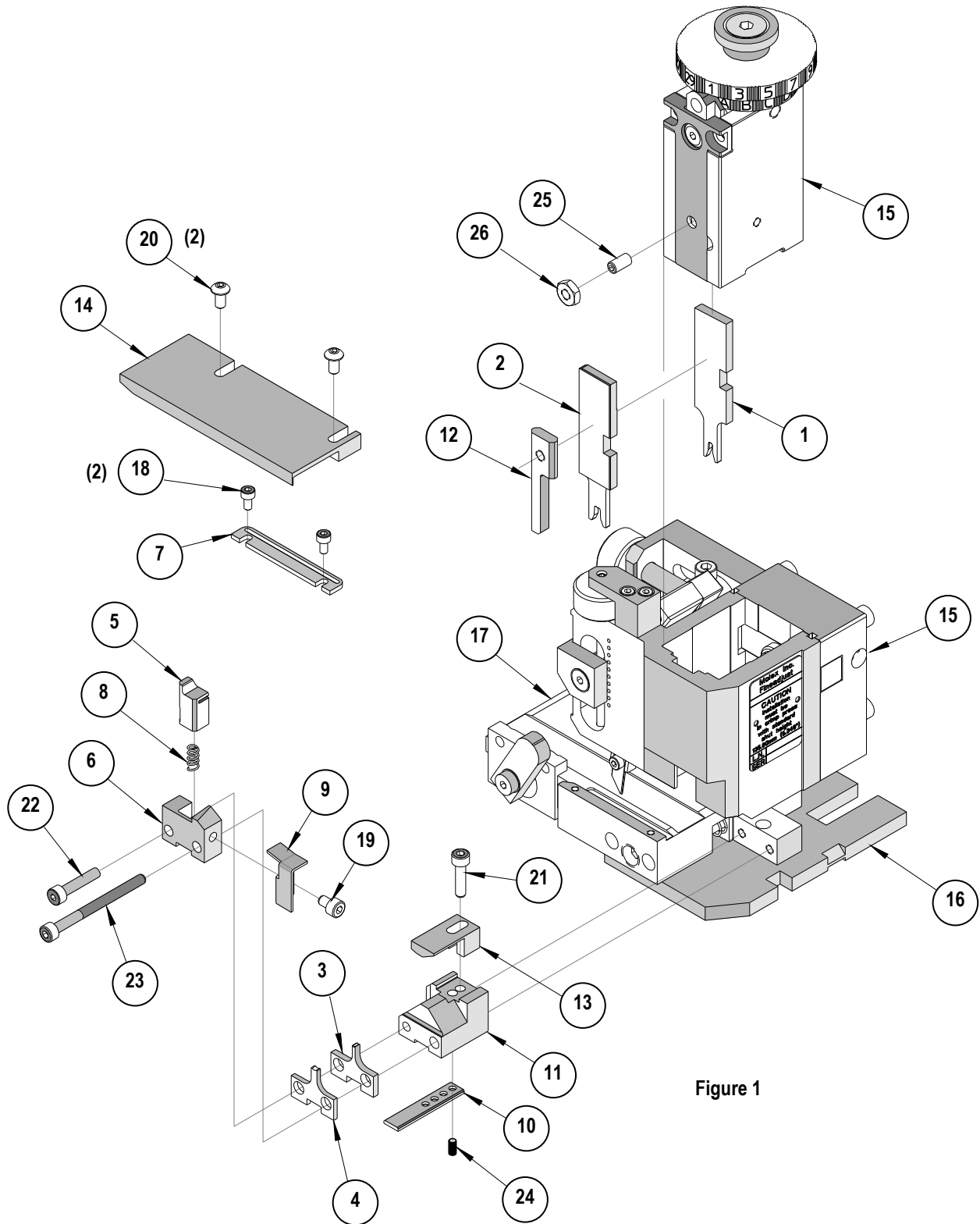


Figure 1

NOTES

1. Molex recommends an extra perishable tooling kit be maintained at your facility.
2. Verify tooling alignment by manually cycling the press and Applicator before crimping under power. Check that all screws are tight.
3. Slugs, Terminals, Dirt and Oil should be kept clear of work area.
4. Wear safety glasses at all times.
5. For recommended maintenance refer to the FineAdjust Manual.

CAUTION: This applicator should only be used in a press with a shut height of 135.8 mm (5.346"). Tooling damage could result at a lower setting.

CAUTION: To prevent injury never operate this Applicator without the guards supplied with the press or wire-processing machine in place. Reference the press or wire processing manufacturer's instruction manual.

CAUTION: Molex crimp specifications are valid only when used with Molex terminals, applicators and tooling.

Americas Headquarters
Lisle, Illinois 60532 U.S.A.
1-800-78MOLEX
amerinfo@molex.com

Far East North Headquarters
Yamato, Kanagawa, Japan
81-462-65-2324
feninfo@molex.com

Far East South Headquarters
Jurong, Singapore
65-6-268-6868
fesinfo@molex.com

European Headquarters
Munich, Germany
49-89-413092-0
eurinfo@molex.com

Corporate Headquarters
2222 Wellington Ct.
Lisle, IL 60532 U.S.A.
630-969-4550
Fax: 630-969-1352

Visit our Web site at <http://www.molex.com>