

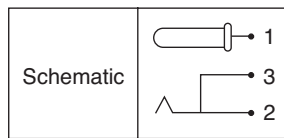
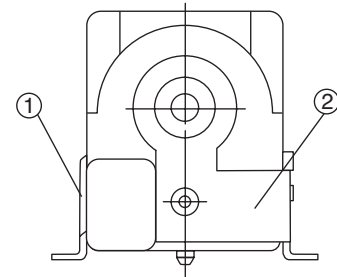
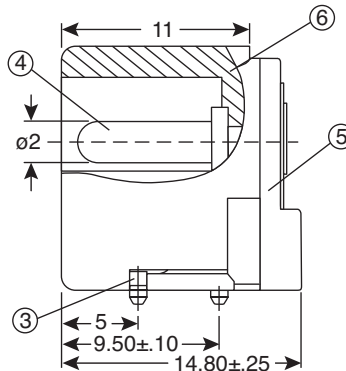
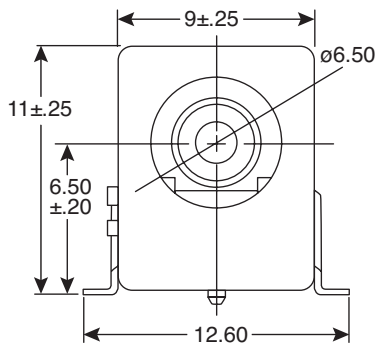
DC Power Jack

163-4800-E

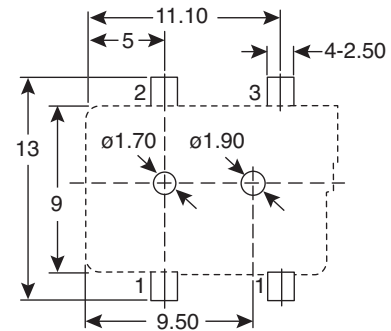
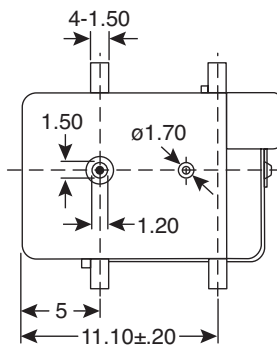
KOBICONN

DC Power Jack

163-4800-E



Tolerance: $\pm 0.3\text{mm}$
unless specified



Pin Hole Layout
(Jack Bottom View)

DIMENSIONS: mm

ELECTRICAL SPECIFICATIONS

Contact Resistance:	30m Ω max.
Current Rating:	Max. 3.0A / 12VDC
Insulation Resistance:	100M Ω min. at DC 500V
Dielectric Withstand Voltage:	AC 500V for one minute
RoHS Compliant	

MATERIAL SPECIFICATIONS

No.	Description	Material	Finish
1	Break Terminal	0.4T Bronze	Silver Plated
2	Pin Terminal	0.3T Bronze	Silver Plated
3	Sleeve Spring	0.3T Phosphor Bronze	Silver Plated
4	Pin (2.0 ϕ)	Copper	Nickel Plated
5	Cover	PA9T	Black Color
6	Housing	PA9T	Black Color

Date Last Revised: 3-15-11

Available from Mouser Electronics
1-800-346-6873 / www.mouser.com

KC-301397

Specifications are subject to change without notice. No liability or warranty implied by this information. Environmental compliance based on producer documentation.