

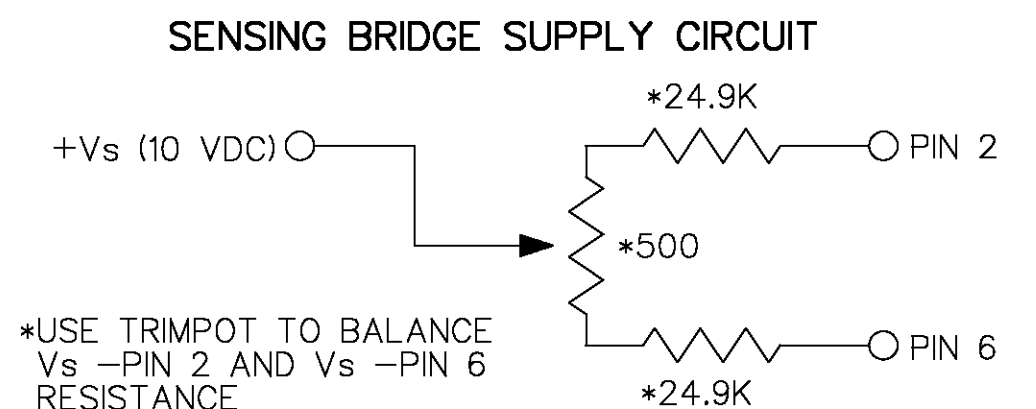
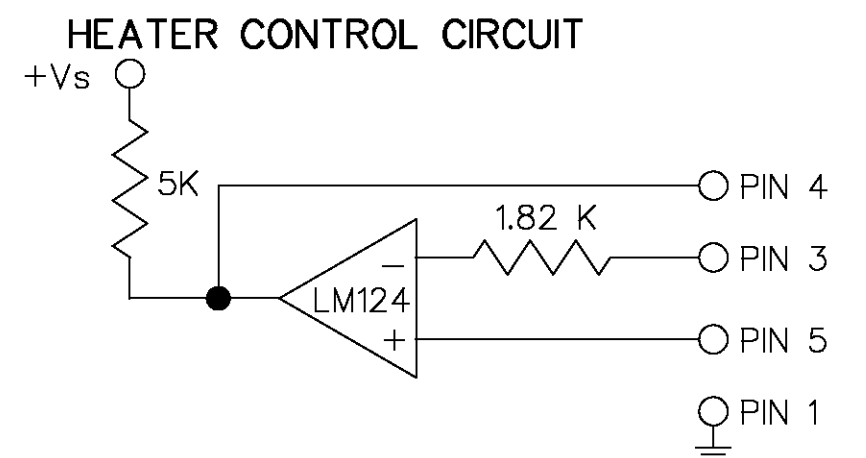
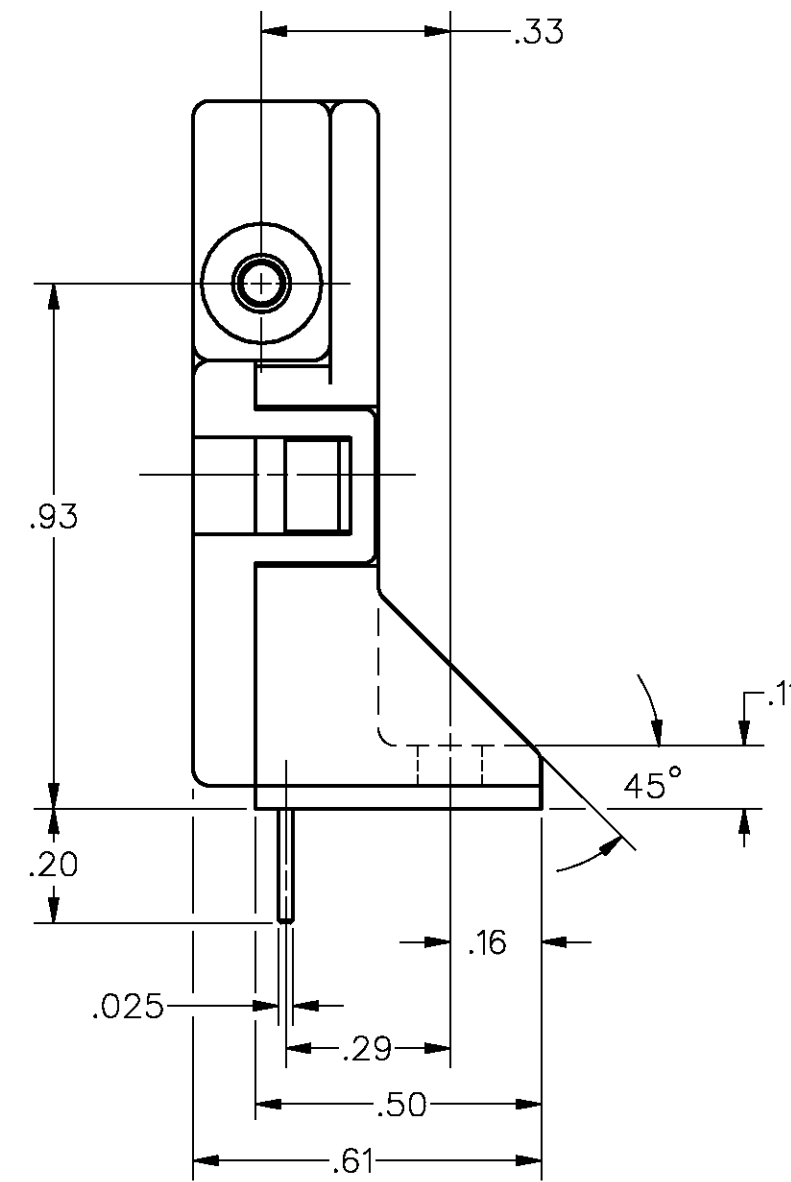
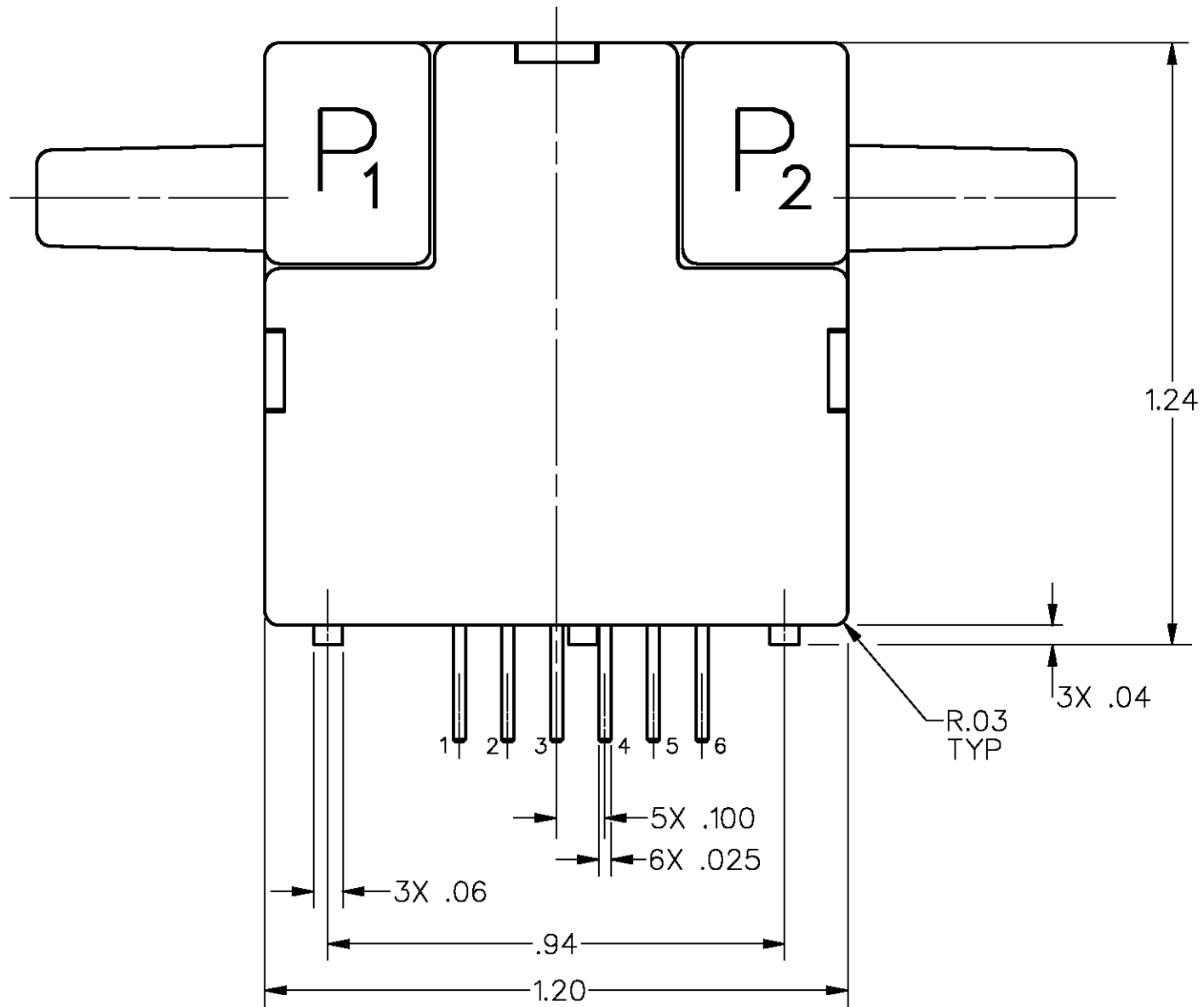
SPECIFICATIONS:	AWM2100VH
RECOMMENDED EXCITATION (USING TEST CIRCUIT) 8VDC MIN	10.00±.01VDC (15.00 VDC MAX)
POWER CONSUMPTION	30mW
OUTPUT VOLTAGE TRIM POINT	30mV @ 100 sccm
NULL VOLTAGE	0.0±1.0mV
NULL VOLTAGE SHIFT (-25°C TO +85°C)	±.14mV TYP
OUTPUT VOLTAGE SHIFT (+25°C TO -25°C)	+2.5% F.S.O.
(+25°C TO +85°C)	-2.5% F.S.O.
REPEATABILITY & HYSTERESIS	±.35% F.S.O. MAX
RESPONSE TIME	3.0 msec MAX
OPERATING TEMPERATURE RANGE	-25°C TO +85°C
STORAGE TEMPERATURE RANGE	-40°C TO +90°C
TERMINATION (ON .100 CENTERS)	0.025 SQ. IN.
WEIGHT	10.8 GRAMS
SHOCK RATING (5 DROPS, EACH OF 6 AXES)	100G PEAK
OVERPRESSURE	25 psi MAX
SENSOR RESISTANCE (PIN 2-PIN 1, PIN 6-PIN 1)	5 K-OHMS (TYP)
SENSOR CURRENT (PIN 2-PIN 1, PIN 6-PIN 1)	0.6 mA (MAX)

OUTPUT FLOW VS. INTERCHANGEABILITY

FLOW (Sccm)	NOMINAL (mV)	TOL. (±mV)
200	44.50	4.25
150	38.75	3.00
100	30.00	1.5
50	16.50	2.50
0	0.00	1.0
-50	-16.50	4.50
-100	-30.00	5.00
-150	-38.75	7.65
-200	-44.50	9.75

- NOTES
- 1 - POSITIVE FLOW DIRECTION IS DEFINED AS PROCEEDING FROM P1 TO P2 AND RESULTS IN POSITIVE OUTPUT (PIN 6 > PIN 2). NEGATIVE FLOW DIRECTION IS DEFINED CONVERSELY AND RESULTS IN NEGATIVE OUTPUT (PIN 6 < PIN 2)
 - 2 - THIS PRODUCT IS COMPATIBLE WITH HYDROGEN GAS. THE NULL VOLTAGE WILL SHIFT LESS THAN .4MV

DRAWING NUMBER: AWM2100VH
 PAGE 1 OF 1
 ISSUE: 4
 REVISIONS:
 A COB3399 30 AUG 96
 B COB3694 J A K 29 APR 97
 C COB4378 TSM 23 MAR 99
 CHECK: K E U 10 APR 95
 FORMTEK DRAWN: J J A 15 APR 95
 REPLACES: RELEASE NO CO-79133



MASTER REDUCED
ANSI Y14.5M-1982 APPLIES

MICRO SWITCH a Honeywell Division FED. REG. CODE 91929	CATALOG LISTING MASS AIRFLOW SENSOR AWM2100VH	THIRD ANGLE PROJECTION SCALE 3:1 DO NOT SCALE PRINT UNLESS OTHERWISE SPECIFIED TOLERANCES ARE ONE PLACE (.0) ±.030 TWO PLACES (.00) ±.015 THREE PLACES (.000) ±.005 ANGLES ± WEIGHT
	THIS DRAWING COVERS A PROPRIETARY ITEM AND IS THE PROPERTY OF MICRO SWITCH, A DIVISION OF HONEYWELL. THIS DRAWING IS NOT TO BE COPIED OR USED WITHOUT THE APPROVAL OF MICRO SWITCH.	