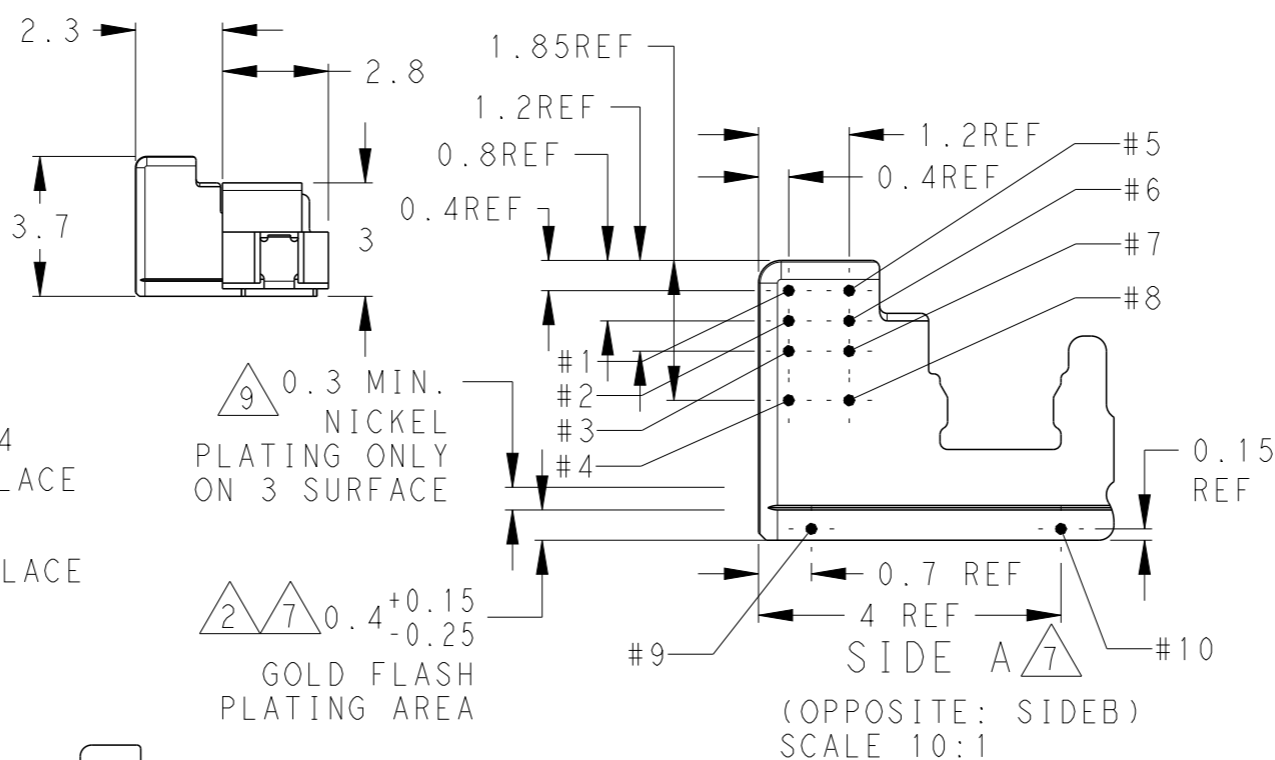
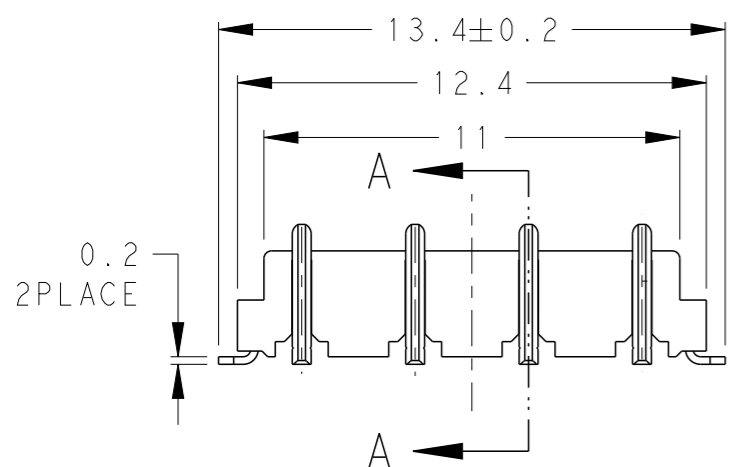
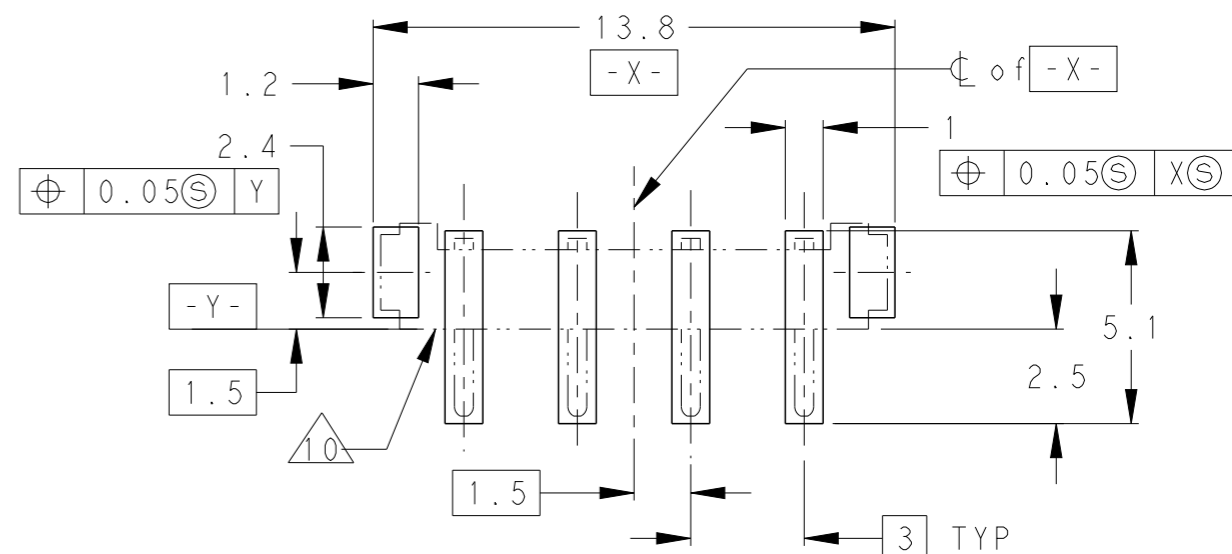
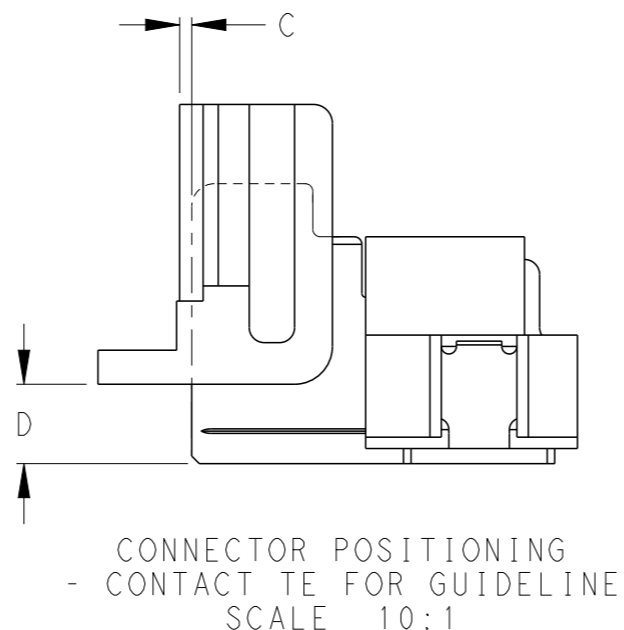
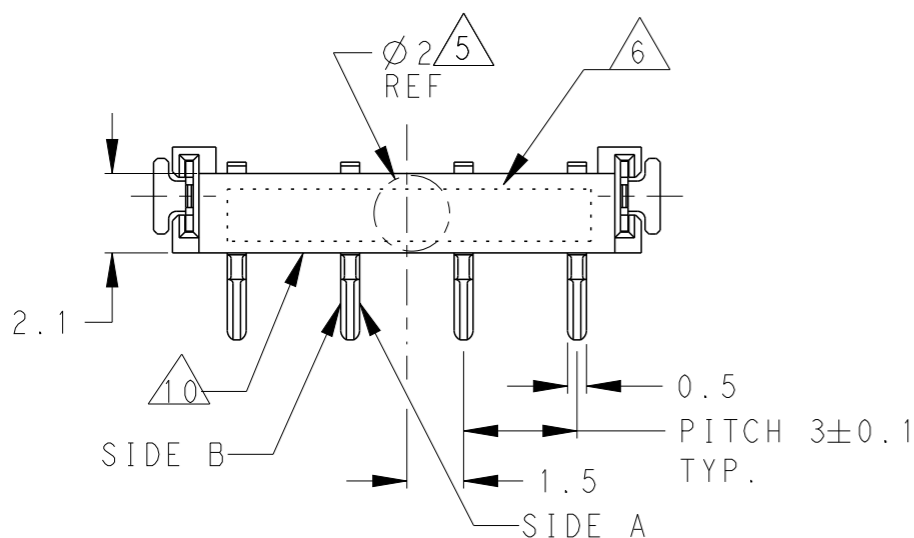
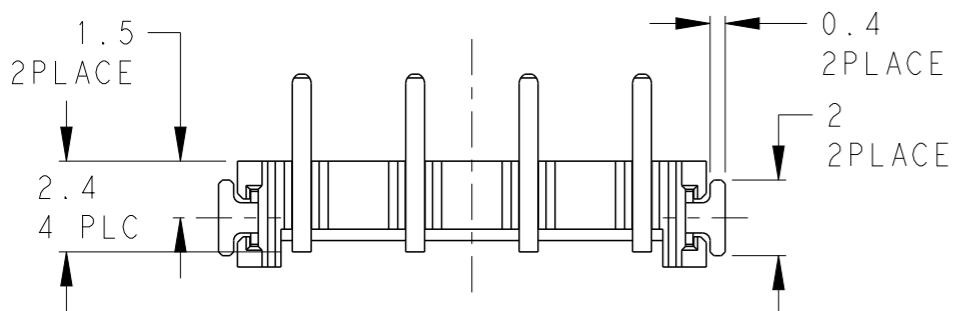


P	LTR	DESCRIPTION	DATE	DWN	APVD
	AI	RELEASE ECR-11-021639	25OCT2011	J. J	S. Y

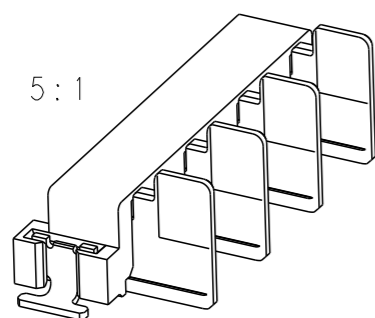
RESTRICTED TO Motorola, Inc.



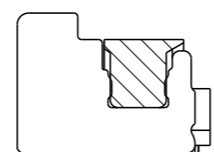
- 1. MATERIAL
CONTACT: BRASS
HOUSING: LCP, UL94V-0, BLACK
SOLDER PEG: BRASS
- 2. FINISH
CONTACT: NICKEL ALL OVER UNDER PLATING, 3.0um MIN.
GOLD PLATING AT CONTACT AREA, 0.76um MIN.
GOLD FLASH PLATING AT LEAD AREA, 0.05-0.2um
- 3. FINISH
SOLDER PEG: NICKEL ALL OVER UNDER PLATING, 1.27um MIN.
TIN PLATING ALL OVER, 2-5um
- 4. COPLANARITY 0.08MAX.
- 5. PICKING AREA
- 6. DATE CODE
- 7. GOLD AND NICKEL PLATING THICKNESS MEASUREMENT POINTS BOTH SIDES SHOULD BE MEASURED. (SIDE A, B)
CONTACT AREA: #1-#8
LEAD AREA: #9, 10
- 8. STARTING AT THE END OF GOLD FLASH PLATING AREA, THERE SHALL BE A NICKEL ONLY PLATED REGION THAT GOES UP UNTIL BELOW POINTS #4 AND #8.
- 9. NICKEL PLATING ONLY ON 3 SURFACE (FRONT AND BOTH SIDE)
- 10. CONNECTOR HOUSING FRONT SURFACE.



SCALE 5:1



1-1932859-1: AS SHOWN



A - A SCALE 5:1

THIS DRAWING IS A CONTROLLED DOCUMENT FOR TYCO ELECTRONICS CORPORATION IT IS SUBJECT TO CHANGE AND THE CONTROLLING ENGINEERING ORGANIZATION SHOULD BE CONTACTED FOR THE LATEST REVISION.

DIMENSIONS:	TOLERANCES UNLESS OTHERWISE SPECIFIED:
mm	± 0.15
0 PLC	±
1 PLC	± 0.5
2 PLC	± 0.13
3 PLC	± 0.013
4 PLC	± 0.0001
ANGLES	±
MATERIAL	FINISH
1	2

DWN	JONE JI	22DEC10
CHK	WENKE HE	22DEC10
APVD	STEVEN YAO	22DEC10
PRODUCT SPEC	108-61125	
APPLICATION SPEC		
WEIGHT	0.3041G	
RESTRICTED CUSTOMER		



NAME			
FLOATING BATTERY INTERCONNECTION SYSTEMS PLUG ASSEMBLY 4POS.			
SIZE	CAGE CODE	DRAWING NO	RESTRICTED TO
A3	00779	C-1932859	MOT
SCALE 4:1		SHEET 1 OF 2	REV A1

4

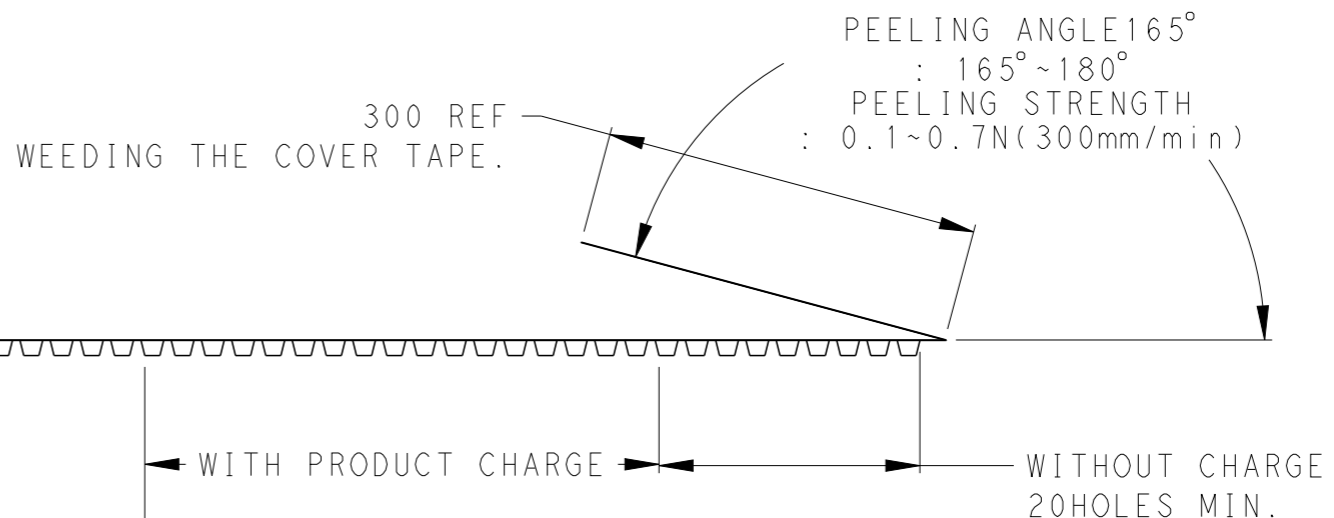
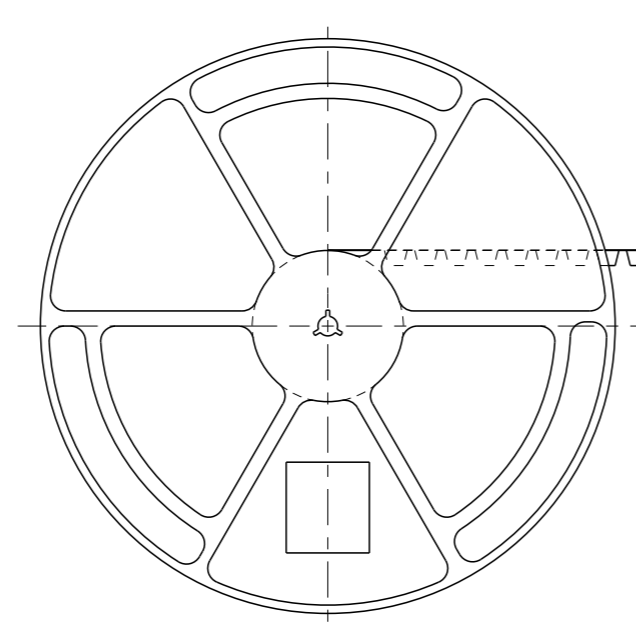
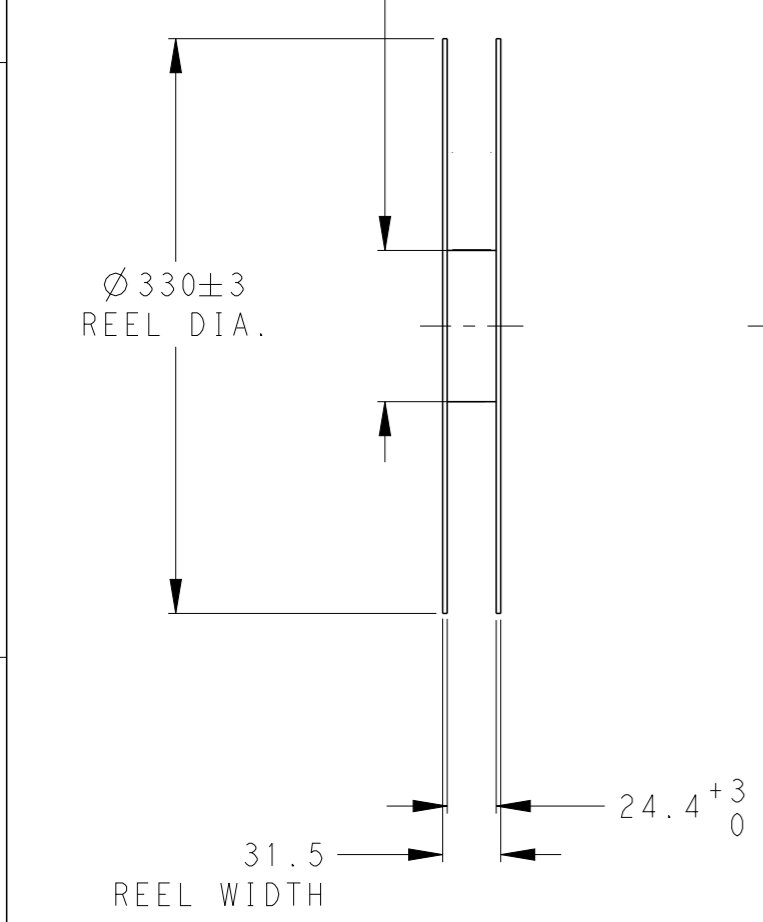
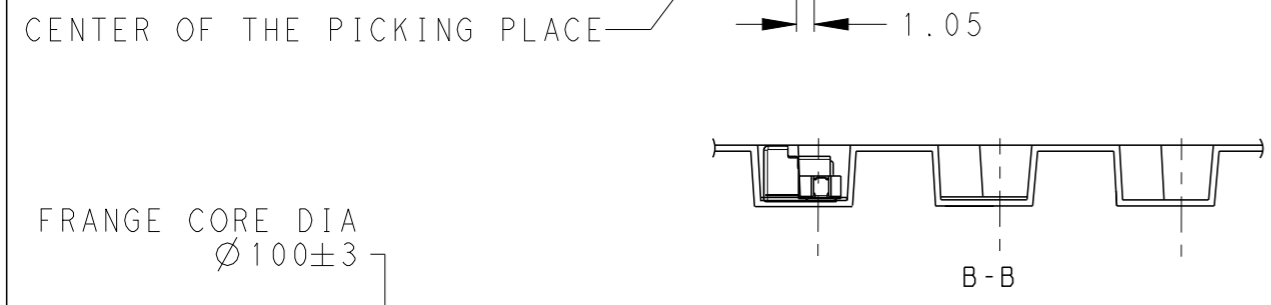
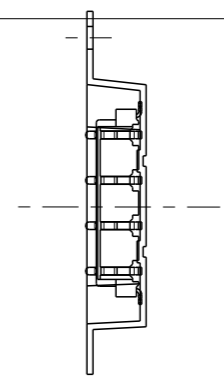
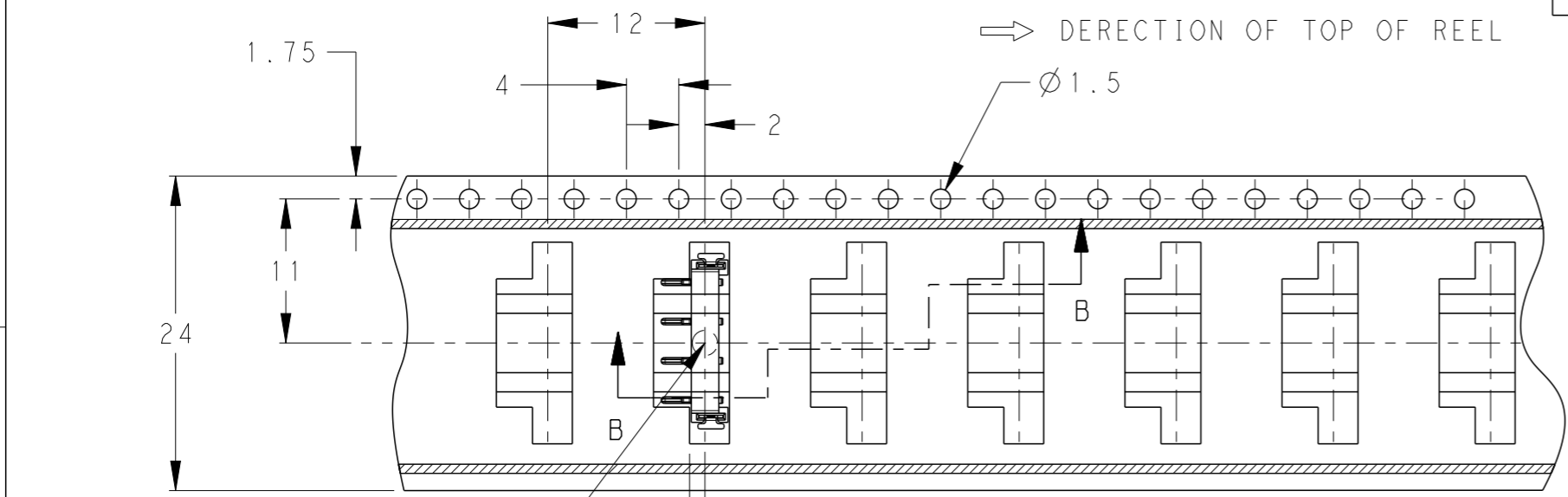
3

2

1

THIS DRAWING IS UNPUBLISHED. RELEASED FOR PUBLICATION
 © COPYRIGHT BY TYCO ELECTRONICS CORPORATION. ALL RIGHTS RESERVED.

LOC	DIST	REVISIONS			
P	LTR	DESCRIPTION	DATE	DWN	APVD
J	-	SEE SHEET 1	-	-	-



1932859-1: AS SHOWN

THIS DRAWING IS A CONTROLLED DOCUMENT FOR TYCO ELECTRONICS CORPORATION. IT IS SUBJECT TO CHANGE AND THE CONTROLLING ENGINEERING ORGANIZATION SHOULD BE CONTACTED FOR THE LATEST REVISION.

DIMENSIONS:	TOLERANCES UNLESS OTHERWISE SPECIFIED:
mm	± 0.3
	Ø PLC ±
	1 PLC ±0.5
	2 PLC ±0.13
	3 PLC ±0.013
	4 PLC ±0.0001
	ANGLES ±
MATERIAL	FINISH

DWN	TE Connectivity		
CHK	NAME		
APVD	FLOATING BATTERY INTERCONNECTION SYSTEMS PLUG ASSEMBLY 4POS.		
PRODUCT SPEC	SIZE	CAGE CODE	DRAWING NO
APPLICATION SPEC	A3	00779	1932859
WEIGHT	RESTRICTED TO		MOT
RESTRICTED CUSTOMER	SCALE	SHEET	REV
	4:1	2 OF 2	A1