

PLEASE CHECK WWW.MOLEX.COM FOR LATEST PART INFORMATION

Part Number: [1040460417](#)
Status: **Active**
Description: 2.00mm (.079") Pitch Wire-to-Board Header, Surface Mount, Single Row, Right Angle, 4 Circuits

Documents:

[3D Model](#) [Product Specification PS-104046-001 \(PDF\)](#)
[Drawing \(PDF\)](#) [RoHS Certificate of Compliance \(PDF\)](#)

Agency Certification

UL E29179

General

Product Family PCB Headers
 Series [104046](#)
 Application Wire-to-Board
 Comments for LED module
 Product Name N/A

Physical

Breakaway No
 Circuits (Loaded) 4
 Circuits (maximum) 4
 Color - Resin Natural
 Durability (mating cycles max) 30
 First Mate / Last Break No
 Flammability 94V-0
 Glow-Wire Compliant No
 Keying to Mating Part Yes
 Lock to Mating Part Yes
 Mated Height (in) 0.159 In
 Mated Height (mm) 4.05 mm
 Material - Metal Phosphor Bronze
 Material - Plating Mating Tin
 Material - Plating Termination Tin
 Number of Rows 1
 Orientation Right Angle
 PCB Locator No
 PCB Retention Yes
 Packaging Type Embossed Tape on Reel
 Pitch - Mating Interface (in) 0.079 In
 Pitch - Mating Interface (mm) 2.00 mm
 Polarized to Mating Part Yes
 Temperature Range - Operating -25°C to +135°C
 Termination Interface: Style Surface Mount

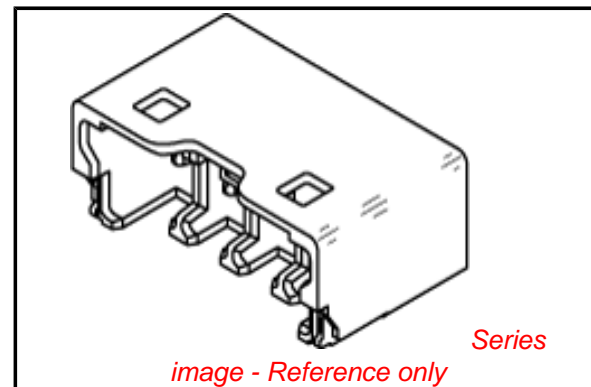
Electrical

Current - Maximum per Contact 1A
 Voltage - Maximum 250V AC (RMS)/DC

Material Info

Reference - Drawing Numbers

Packaging Specification PK-104046-001
 Product Specification PS-104046-001
 Sales Drawing SD-104046-001, SD-104046-002



EU RoHS

ELV and RoHS Compliant
REACH SVHC Contains SVHC: No
Halogen-Free Status

China RoHS



Need more information on product environmental compliance?

Email productcompliance@molex.com
 For a multiple part number RoHS Certificate of Compliance, [click here](#)

Please visit the [Contact Us](#) section for any non-product compliance questions.

Search Parts in this Series

[104046Series](#)

Mates With

[104047 Crimp Housing](#) . [104466 Crimp Terminal](#)

This document was generated on 05/18/2010

PLEASE CHECK WWW.MOLEX.COM FOR LATEST PART INFORMATION

10 9 8 7 6 5 4 3 2 1

F

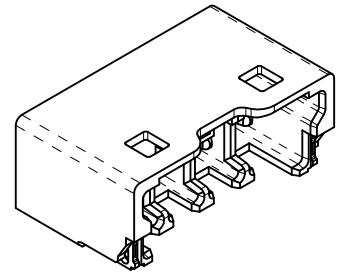
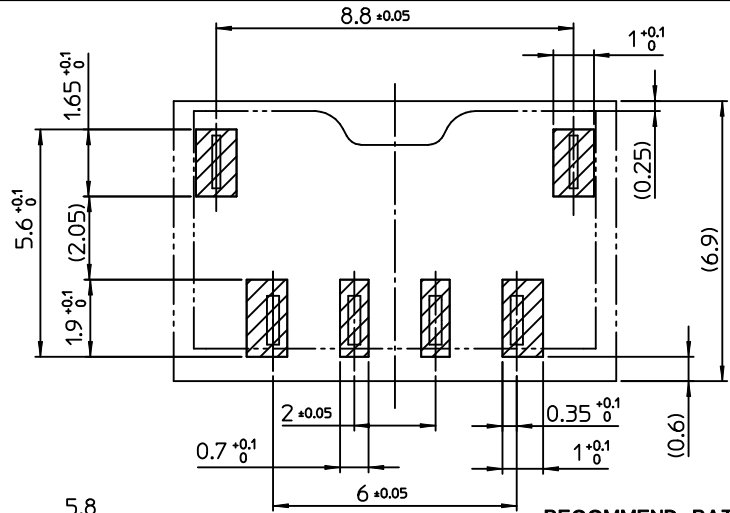
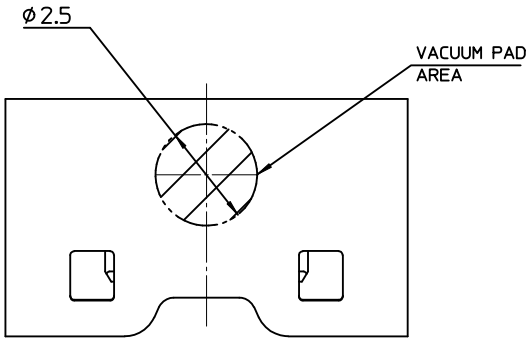
E

D

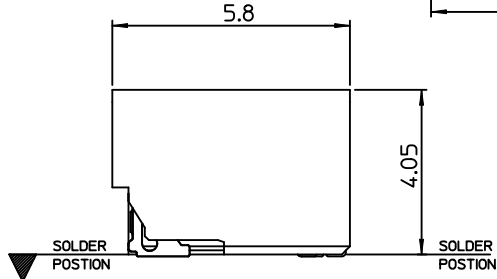
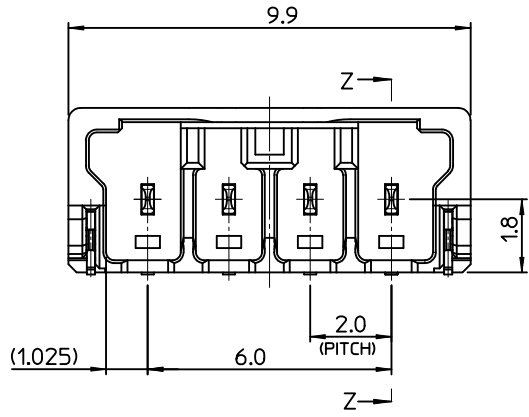
C

B

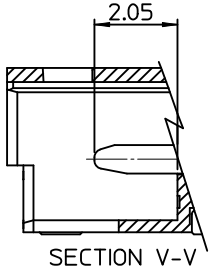
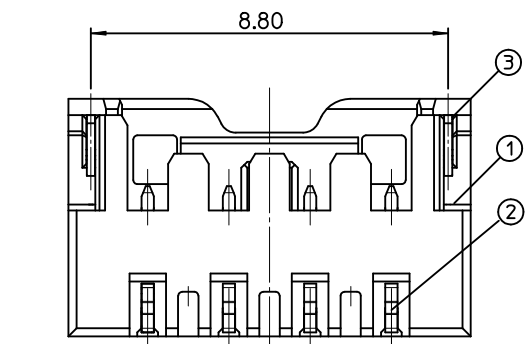
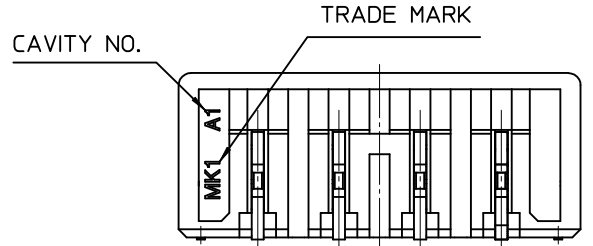
A



ISO METRIC VIEW



RECOMMEND PATTERN [REF.]



SECTION V-V

NOTES.

- 1. MATED WITH : 104047-0490
- 2. MATERIALS
 HEADER : LCP, GLASS FILLED, UL94V-0
 COLOR OF NATURAL
 CONTACT TERMINAL : POSPHOR BRONZE
 FITTING NAIL : PHOSPHOR BRONZE

3. FINISHES

- CONTACT TERMINAL : PURE-TIN PLATING ON OVERALL.
 THICKNESS 3.0µm~5.0µm
 UNDER PLATING Ni OVERALL.
 THICKNESS 1.25µm~3.75µm
- FITTING NAIL : PURE-TIN PLATING ON OVERALL.
 THICKNESS 3.0µm~5.0µm
 UNDER PLATING Ni OVERALL.
 THICKNESS 1.25µm~3.75µm

- 4. PRODUCT SPECIFICATION No. : PS-104046-001
- 5. PACKAGING SPECIFICATION No. : PK-104046-001

3	FITTING NAIL	104465-8002	4
2	CONTACT TERMINAL	104464-8002	
1	HEADER	104046-0490	
NO	PART NAME	MATERIAL NO.	CKT

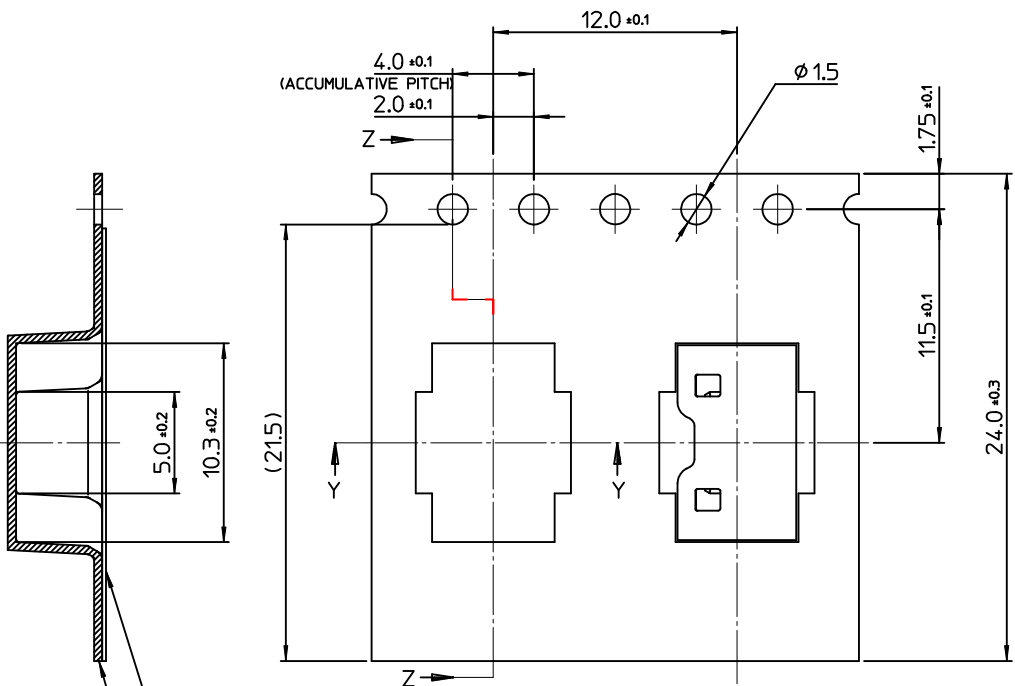
REVISED	EC NO: KOR2010-0143	2010/03/23	DESCRIPTION
	DRW: JHPARK01	2010/03/25	
	CHK: WYANG	2010/03/25	
	APPR: YUNSIKKIM	2010/03/25	

QUALITY SYMBOLS	▽=0
	▽C=0
GENERAL TOLERANCES (UNLESS SPECIFIED)	mm
	INCH
DRAFT WHERE APPLICABLE MUST REMAIN WITHIN DIMENSIONS	4 PLACES ± --- ± ---
	3 PLACES ± --- ± ---
	2 PLACES ± 0.20 ± ---
	1 PLACE ± 0.25 ± ---
ANGULAR ± 3 °	

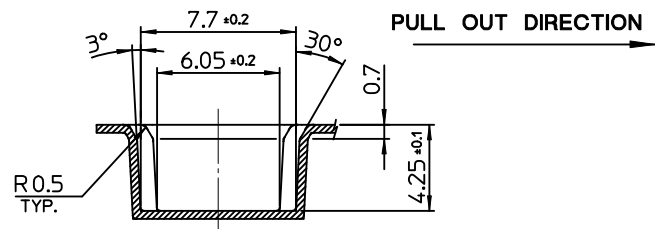
DIMENSION STYLE		SCALE	DESIGN UNITS	THIRD ANGLE PROJECTION
MM ONLY		8:1	METRIC	
DRAWN BY	DATE	TITLE		
SK.HAN	2009/03/11	2.0 W-T-B CONN. HEADER ASS'Y-4P		
CHECKED BY	DATE			
WY.YANG	2009/03/11			
APPROVED BY	DATE			
WY.YANG	2009/03/11			
MATERIAL NO.		DOCUMENT NO.		SHEET NO.
1040460417		SD-104046-001		1 OF 01

MOLEX INCORPORATED	
THIS DRAWING CONTAINS INFORMATION THAT IS PROPRIETARY TO MOLEX INCORPORATED AND SHOULD NOT BE USED WITHOUT WRITTEN PERMISSION	

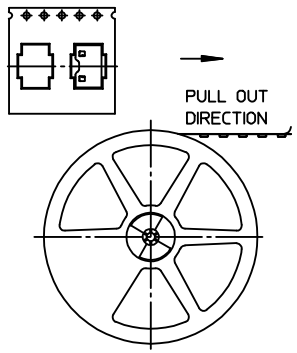
9 8 7 6 5 4 3 2 1



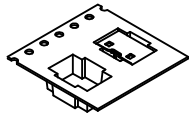
SECTION Z-Z



SECTION Y-Y



PLASTIC BOBBIN



NOTES

1. QUANTITY OF CONNECTORS : 1500 PCS/REEL
2. LEAD LENGTH
3. PEELING OFF FORCE OF COVER TAPE : 0.1N~0.59N(10.2GF~60GF)
 (PEELING DIRECTION AS SHOW IN FOLLOW FIG.)
 PEELING OFF SPEED : 300mm/Min.(Ref.)
4. FLASH IN ANY PORTION SHOULD BE LESS THAN 0.20mm MAX.
5. UNLESS OTHERWISE SPECIFIED INNER R0.2 MAX
6. DRAFT ANGLE 3°MAX

[TABLE]

1040460417	104046-0417	24.0mm	104046-9004
MATERIAL NO.	CONNECTOR	TAPE WIDTH	EMBOSS TAPE

3	PLASTIC BOBBIN	HI P.S	WHITE
2	COVER TAPE	PET ANTISTATIC	21.3m
1	CARRIER (EMBOSS) TAPE	PET ANTISTATIC	
NO.	DESCRIPTION	MATERIAL	REMARK

NEW RELEASED EC NO: KOR2010-0066 DRWN:CBCHN 2009/10/15 CHKD:WYANG 2009/10/20 APPR:YUNSIKKIM 2009/10/21	QUALITY SYMBOLS	GENERAL TOLERANCES (UNLESS SPECIFIED)	DIMENSION STYLE	SCALE	DESIGN UNITS	THIRD ANGLE PROJECTION
	▽=0 ▽=0	mm INCH 4 PLACES ± --- ± --- 3 PLACES ± --- ± --- 2 PLACES ± 0.20 ± --- 1 PLACE ± 0.25 ± --- ANGULAR ± 3 °	MM ONLY	4:1	METRIC	DRAWN BY SK.HAN DATE 2009/03/11 CHECKED BY WY.YANG DATE 2009/03/11 APPROVED BY WY.YANG DATE 2009/03/11
	DESCRIPTION	DRAFT WHERE APPLICABLE MUST REMAIN WITHIN DIMENSIONS	SEE TABLE	TITLE EMBOSSED PACKAGE 20 W-T-B CONN HEADER ASS'Y-4P		
	REV A			MATERIAL NO. MOLEX INCORPORATED	DOCUMENT NO. SD-104046-002	SHEET NO. 1 OF 01