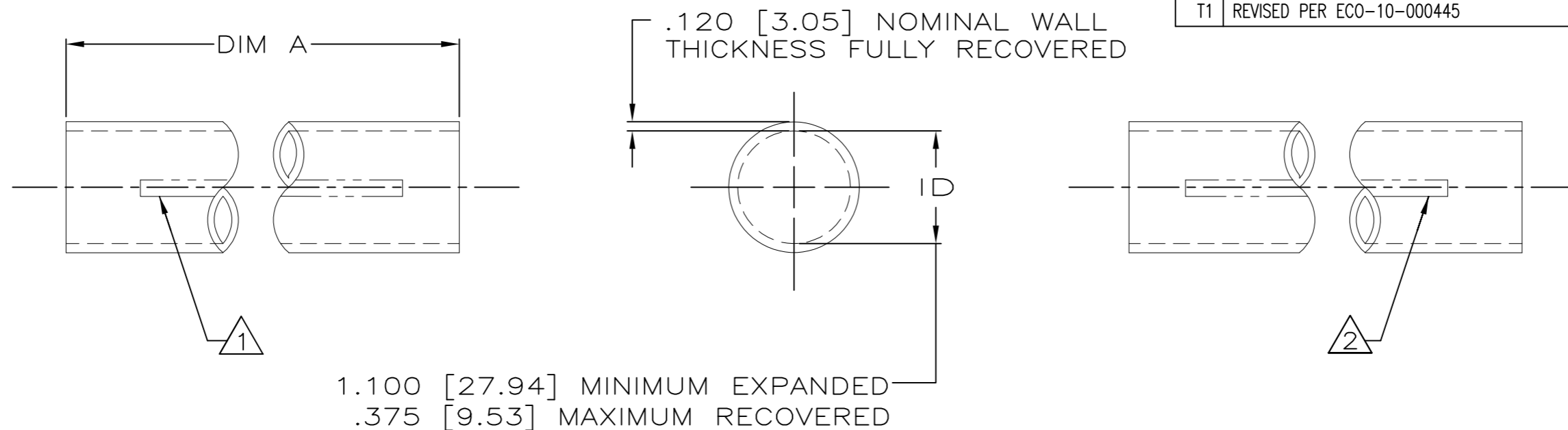


REVISIONS			
REV	DESCRIPTION	DATE	APPROVED
T	REVISED PER DCR R030292	23-JUL-03	JKUSTER
T1	REVISED PER ECO-10-000445	20-JAN-10	HMR



- ① PRODUCT MARKED WITH AMP, AND DATE CODE WITH .25 [6.35] HIGH CHARACTERS USING WHITE INK LOCATED ALONG THIS SURFACE. REPEATED EVERY 8.0 [203.2] INCHES.
- ② PRODUCT MARKED 1.100 - .375/ 28mm - 9.5mm WITH .25 [6.35] HIGH CHARACTERS USING WHITE INK LOCATED ALONG THIS SURFACE. REPEATED EVERY 8.0 [203.2] INCHES.
- 3. SEALANT APPLIED TO TUBING THROUGHOUT LENGTH.
- 4. DIMENSIONS SPECIFIED WITHOUT SEALANT.
- ⑤ SUPERSEDED BY 1-53712-4.
- ⑥ WEIGHT PER LINEAR FOOT: 60.0 GRAMS/.13 POUND.
- ⑦ SUPERSEDED BY 53712-2.
- 8. MATERIAL: BLACK POLYOLEFIN
- ⑨ OBSOLETE PARTS: OBSOLETE CIS STREAMLINING PER D.RENAUD/D.SINISI

⑨ OBSOLETE		-8-53712-2
	12.00 ± .19 [304.8 ± 4.8]	1-53712-4
	49.00 - 48.00 [1244.6 - 1219.2]	1-53712-1
		53712-4
	9.00 ± .19 [228.6 ± 4.8]	53712-3
	6.00 ± .19 [152.4 ± 4.8]	53712-2
	3.00 ± .19 [76.2 ± 4.8]	53712-1
	DIMENSION A	PART NO

SPECIFICATION CONTROL DRAWING

UNLESS OTHERWISE SPECIFIED DIMENSIONS ARE IN INCHES. METRIC DIMENSIONS ARE IN BRACKETS. DECIMALS .XXX ±.005 [0.13 mm] .XX ±.01 [0.25 mm] .X ±.1 [2.54 mm] ANGLES .X ± 0.5 DEG	DRAWN	UNGUYEN	07/23/03	Tyco Electronics Corporation 300 Constitution Drive Menlo Park, CA. USA 94025 						
	CHECKED									
	APPROVED	JKUSTER	07/23/03							
	APPROVED									
	CAD NAME R030292			TITLE AMPSULATION HWP31, HST, WITH SEALANT, 1.100 INCHES DIAMETER						
THIRD ANGLE PROJECTION				<table border="1"> <tr> <td>SIZE</td> <td>CODE IDENT. NO.</td> <td>DWG. NO.</td> </tr> <tr> <td>B</td> <td>06090</td> <td>C-53712</td> </tr> </table>	SIZE	CODE IDENT. NO.	DWG. NO.	B	06090	C-53712
SIZE	CODE IDENT. NO.	DWG. NO.								
B	06090	C-53712								
DO NOT SCALE THIS DRAWING				SHEET 1 OF 1						