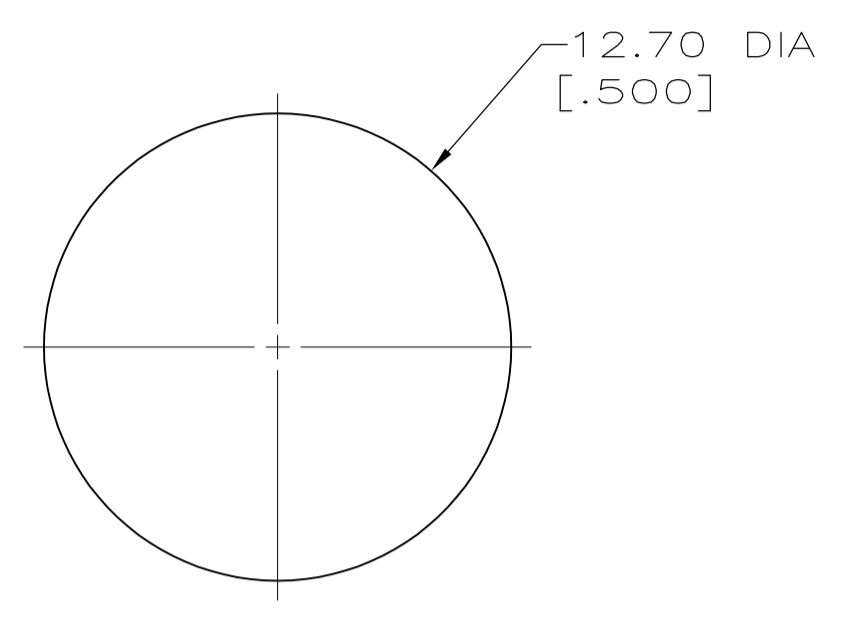
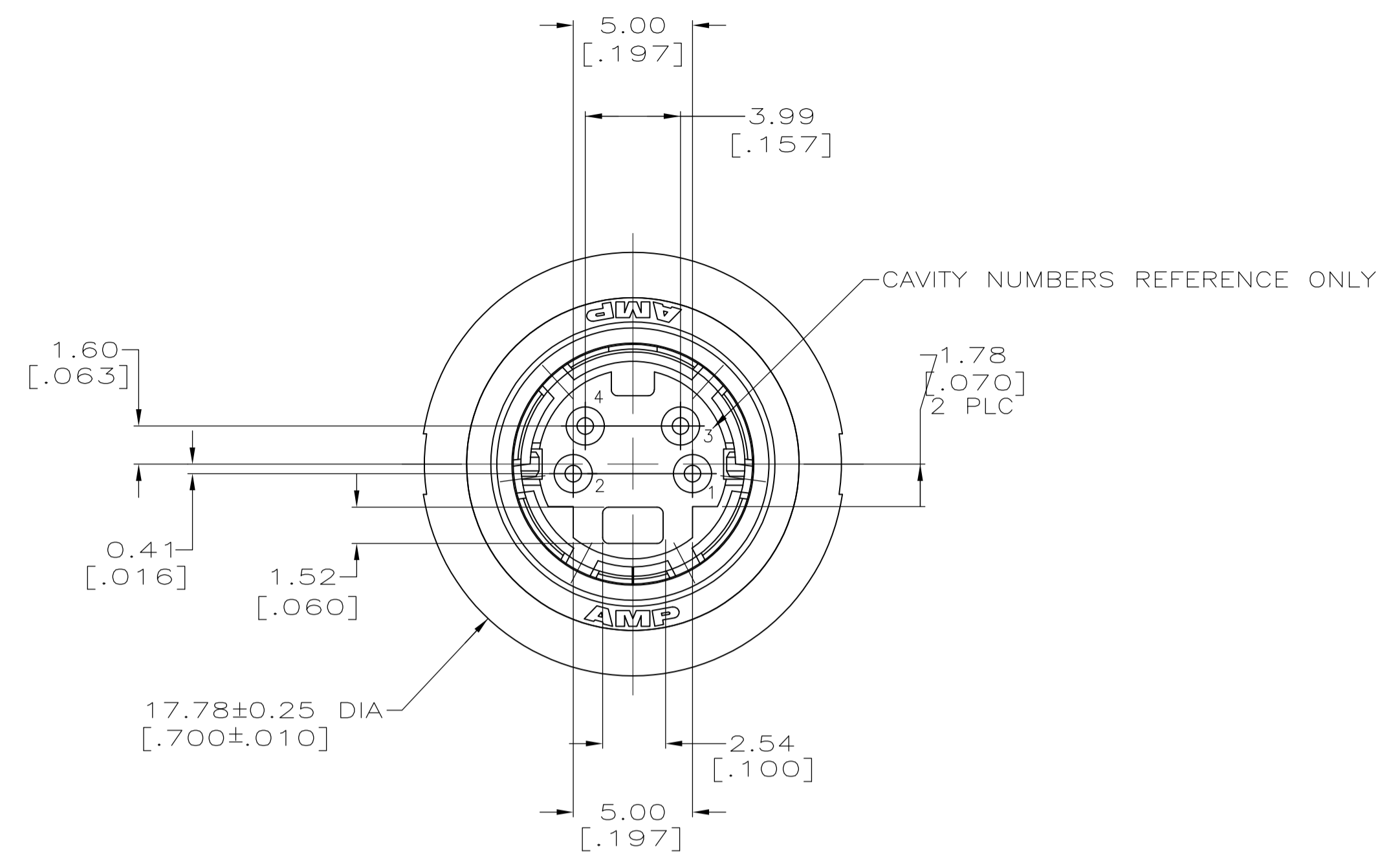
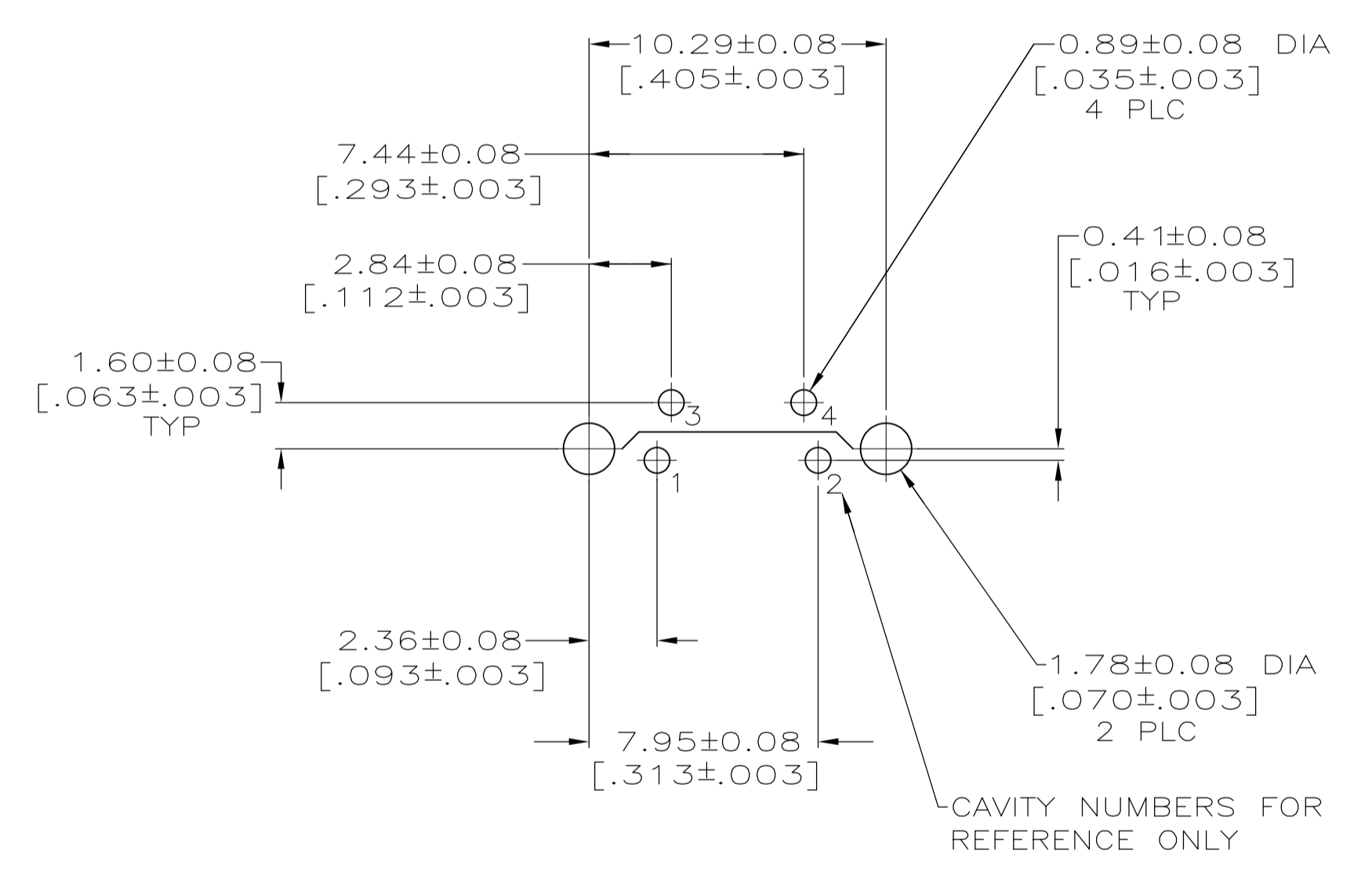
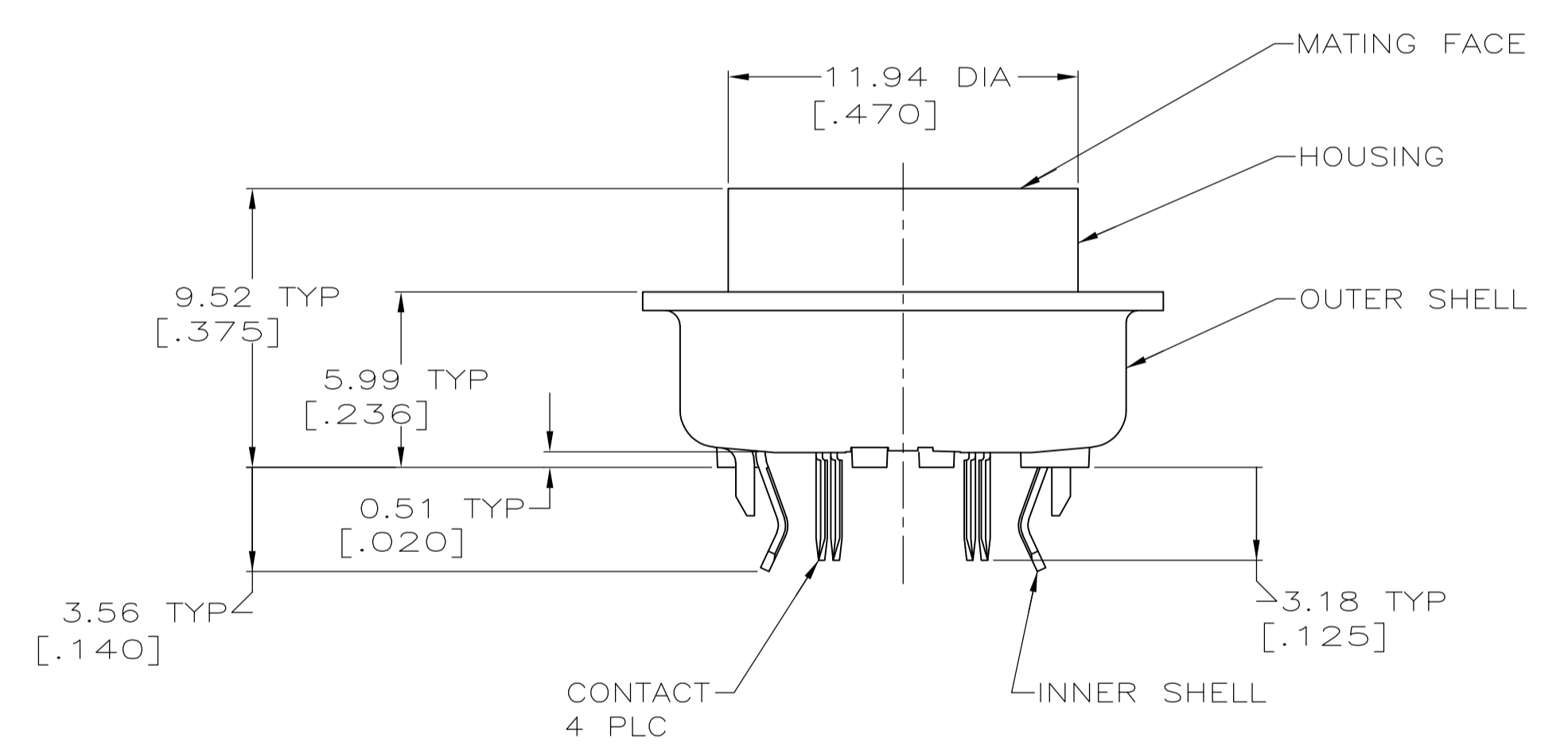


MOD		LOC		DIST		REVISIONS						
1	8	B	D	3	9	P	F	ZONE	LTR	DESCRIPTION	DATE	APPD
									A	REVISED PER ECN BD4681	02/07/91	-
									M	REVISED PER ECO-09-023313	13OCT09	AEG

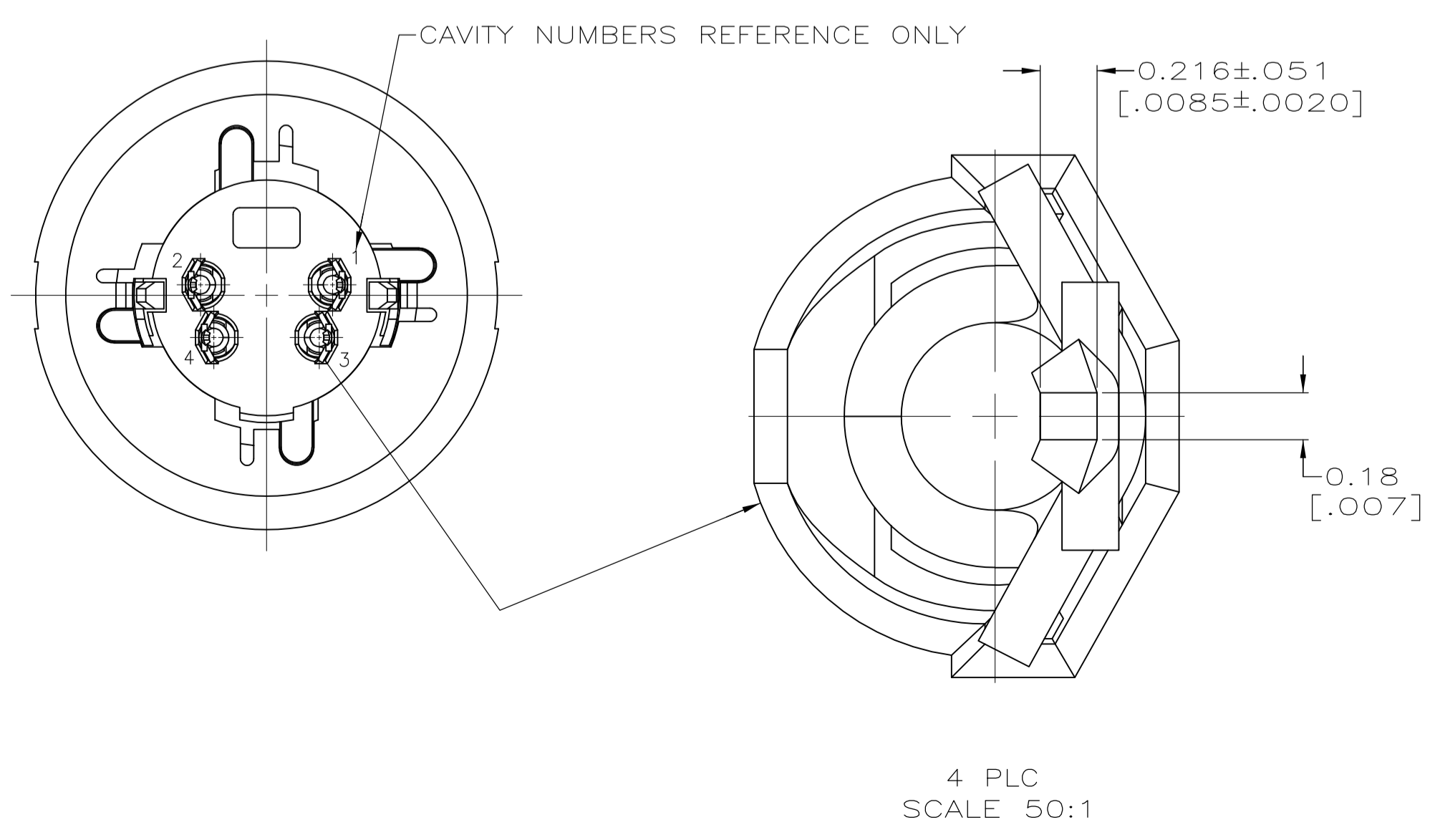


RECOMMENDED PANEL CUT-OUT

- 1 SHELLS: BRASS; CONTACTS: PHOSPHOR BRONZE; HOUSING: POLYESTER, UL 94V-0 RATED, BLACK.
- 2 0.76 μm [.000030] MIN GOLD ON MATING END FOR A LENGTH OF 1.37 [.054] MIN ON INSIDE, 2.54 μm [.000100] MIN TIN-LEAD FOR A LENGTH OF 3.30 [.130] MIN FROM OPPOSITE END, ALL OVER 1.27 μm [.000050] MIN NICKEL.
- 3 0.38 μm [.000015] MIN GOLD ON MATING END FOR A LENGTH OF 1.37 [.054] MIN ON INSIDE, 2.54 μm [.000100] MIN TIN-LEAD FOR A LENGTH OF 3.30 [.130] MIN FROM OPPOSITE END, ALL OVER 1.27 μm [.000050] MIN NICKEL.
- 4 2.54 μm [.000100] MIN TIN-LEAD OVER 1.27 μm [.000050] MIN NICKEL.
- 5 GOLD PLATING PER MIL-G-45204, TIN PLATING PER MIL-T-10727, NICKEL PLATING PER QQ-N-290, COPPER PLATING PER MIL-C-14550.
- 6 RECEPTACLE ASSEMBLY MATES WITH 4 PIN, 8.99±0.10 [.354±.004] DIAMETER PLUG.
- 7 3.81 μm [.000150] MIN TIN-LEAD OVER 2.54 μm [.000100] MIN COPPER.
- 8 OBSOLETE PARTS: OBSOLETE CIS STREAMLINING PER D.RENAUD/D.SINISI



RECOMMENDED PC BOARD LAYOUT
 BOTTOM VIEW



1 OBSOLETE	2	750317-2
	3	750317-1
		PART NO

DO NOT SCALE PRINT. UNLESS SPECIFIED DIMENSIONS IN mm [INCHES] TOLERANCES: ON: 2 PLC DEC ± 0.13 [.005] 3 PLC DEC ± - ANGLES ± -		DR 8-6-90 R.SHIREY		AMP AMP Incorporated Harrisburg, PA 17105-3608	
FINISH: 1 CONTACTS: SEE TABLE INNER SHELL: 2 OUTER SHELL: 3		CHK 9-5-90 R.STONE			
MATERIAL		APPD 9-5-90 R.WHYNE		NAME	
APPLICATION SPEC		APPD 9-10-90 J.FULPONI		RECEPTACLE ASSEMBLY, 4 POSN, LOW FLANGE, SHIELDED, VERTICAL, MINIATURE CIRCULAR DIN	
WEIGHT		PRODUCT SPEC		SIZE	
		APPLICATION SPEC		CAGE CODE	
		-		D 00779	
		-		DRAWING NO	
		-		750317	
		-		SCALE	
		-		5:1	
		-		SHEET	
		-		1 OF 1	