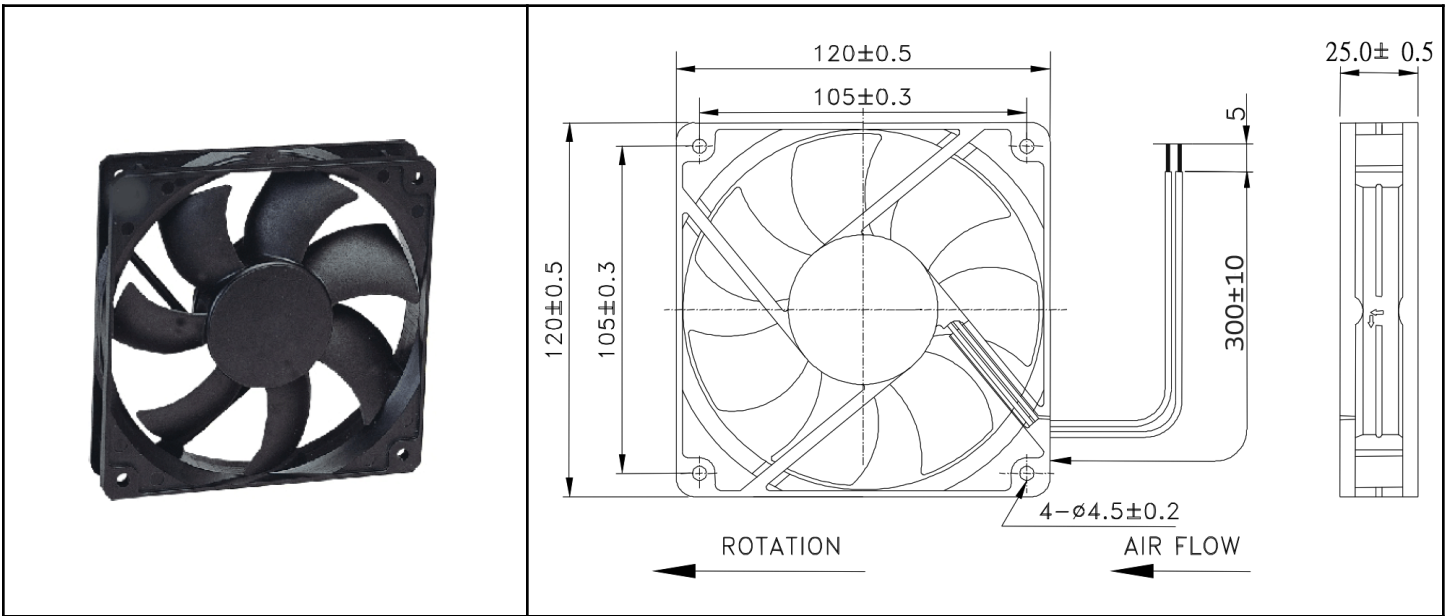


OD1225 Series



DC Fan - 12V, 24V
120x25mm (4.7"x 1.0")



Frame & Impeller	PBT, UL94V-O plastic	Available Options: Sleeve Bearing Ball Bearing Tachometer Alarm Thermal control PWM Input IP55 48V & 5V Life Expectancy (L10) 50,000+ hrs Operating Temperature -10 ~ 70C	
Connection	2x Lead wires 24AWG		
Motor	Brushless DC, auto restart, polarity protected		
Bearing System	Sealed Sleeve		
Insulation Resistance	10M ohm between leadwire and frame (500VDC)		
Dielectric Strength	1 second at 500 VAC, max leakage - 500 MicroAmp		

Model Number	OD1225-12HSS	OD1225-24HSS
Part Number	122143001	122243001
Nominal Voltage	12 VDC	24 VDC
Nominal Current	0.44	0.24 A
Rated Power	5.3 W	5.8 W
Rated Speed (RPM)	2200	2200
Airflow (CFM)	85	85
Noise Level (dB)	39	39
Max. Static Pressure	0.14" H ₂ O	0.14" H ₂ O