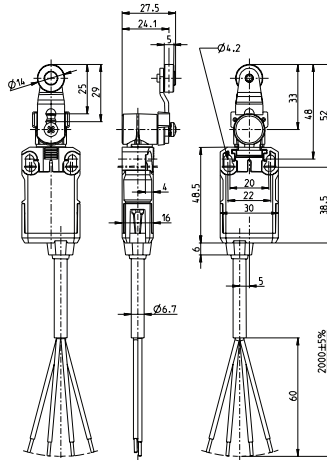


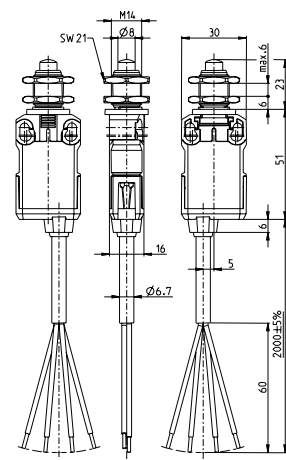
**IF Series**



**AH**



**IWF**



Switching Operation	Slow Action	Snap Action	Slow Action	Snap Action
<b>1 NC / 1 NO Contacts</b>	<b>608.9135.003</b> IF-U1Z AH 	<b>608.9185.008</b> IF-SU1Z AH 	<b>608.9102.004</b> IF-U1Z IWF 	<b>608.9152.009</b> IF-SU1Z IWF 
<b>2 NC Contacts</b>	<b>608.9835.013</b> IF-A2Z AH 	<b>608.9885.041</b> IF-SA2Z AH 	<b>608.9802.014</b> IF-A2Z IWF 	<b>608.9852.043</b> IF-SA2Z IWF 
<b>2 NO Contacts</b>	-	-	-	-
<b>1 NC / 1 NO Contacts Overlapping</b>	-	-	-	-

**Technical Information**

	Slow Action	Snap Action	Slow Action	Snap Action
Maximum Switching Voltage	240V	240V	240V	240V
Maximum Switching Amperage	10A	10A	10A	10A
B10d	6 Million	6 Million	6 Million	6 Million
Mechanical Service Life	3 x 10 <sup>6</sup>	3 x 10 <sup>6</sup>	3 x 10 <sup>6</sup>	3 x 10 <sup>6</sup>
Switching Frequency	≤ 30/min	≤ 30/min	≤ 30/min	≤ 30/min
Operating Temperature	-30 °C to +80 °C	-30 °C to +80 °C	-30 °C to +80 °C	-30 °C to +80 °C
Protection Rating	IP67	IP67	IP67	IP67
Utilization Category	AC-15, Ue/Ue 240V 3A	AC-15, Ue/Ue 240V 3A	AC-15, Ue/Ue 240V 3A	AC-15, Ue/Ue 240V 3A
Rate Insulation Voltage	240VAC	240VAC	240VAC	240VAC

Approvals



**Special features/variants**

- Actuator can be turned in steps of 90°

**Special features/variants**

- Front mounting

Drawing dimensions in mm