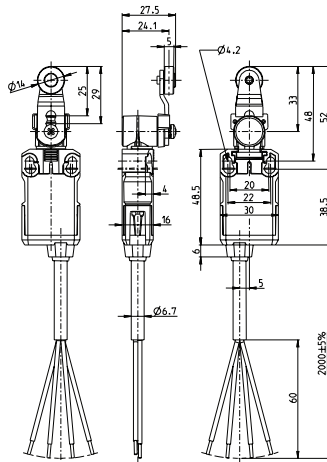


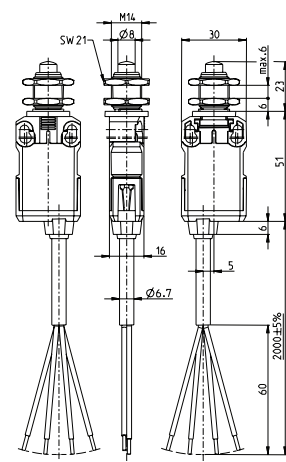
IF Series



AH



IWF



Switching Operation	Slow Action	Snap Action	Slow Action	Snap Action
1 NC / 1 NO Contacts	608.9135.003 IF-U1Z AH 	608.9185.008 IF-SU1Z AH 	608.9102.004 IF-U1Z IWF 	608.9152.009 IF-SU1Z IWF
2 NC Contacts	608.9835.013 IF-A2Z AH 	608.9885.041 IF-SA2Z AH 	608.9802.014 IF-A2Z IWF 	608.9852.043 IF-SA2Z IWF
2 NO Contacts	-	-	-	-
1 NC / 1 NO Contacts Overlapping	-	-	-	-

Technical Information

	Slow Action	Snap Action	Slow Action	Snap Action
Maximum Switching Voltage	240V	240V	240V	240V
Maximum Switching Amperage	10A	10A	10A	10A
B10d	6 Million	6 Million	6 Million	6 Million
Mechanical Service Life	3 x 10 ⁶	3 x 10 ⁶	3 x 10 ⁶	3 x 10 ⁶
Switching Frequency	≤ 30/min	≤ 30/min	≤ 30/min	≤ 30/min
Operating Temperature	-30 °C to +80 °C	-30 °C to +80 °C	-30 °C to +80 °C	-30 °C to +80 °C
Protection Rating	IP67	IP67	IP67	IP67
Utilization Category	AC-15, Ue/Ue 240V 3A	AC-15, Ue/Ue 240V 3A	AC-15, Ue/Ue 240V 3A	AC-15, Ue/Ue 240V 3A
Rate Insulation Voltage	240VAC	240VAC	240VAC	240VAC

Approvals



Special features/variants

- Actuator can be turned in steps of 90°

Special features/variants

- Front mounting

Drawing dimensions in mm