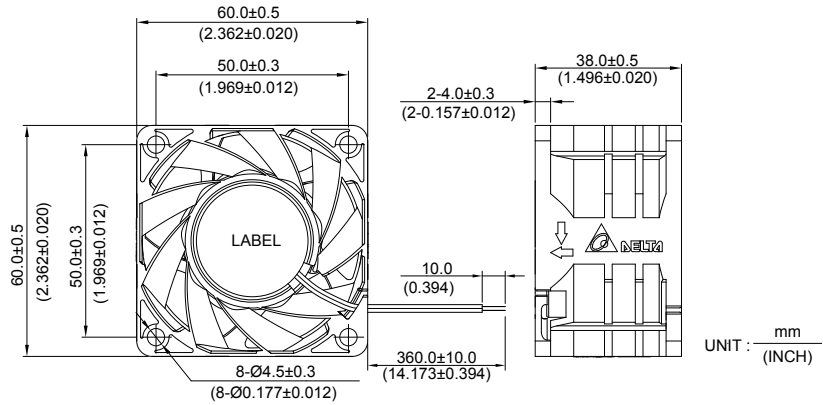


*New*



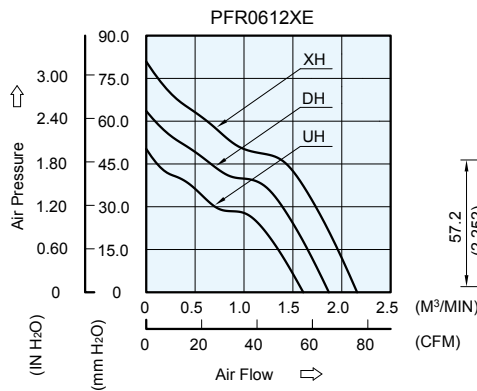
# PFR 60 x 60 x 38 MM SERIES

## ■ DIMENSIONS DRAWING

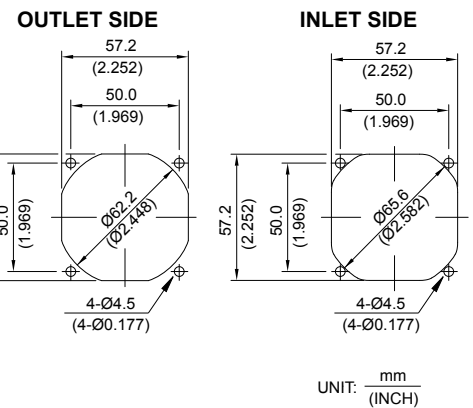


- \* Bearing Type  
Ball Bearings
- \* Material  
Impeller & Frame: Plastic (UL 94V-0)
- \* Lead Wires :  
UL 1061 AWG #22 OR Equivalent  
Red Wire Positive(+)  
Black Wire Negative(-)
- \* Weight : 130g (4.59 oz)

## ■ P & Q CURVE (AT RATED VOLTAGE)



## ■ MOUNTING PANEL CUTOUT



MODEL		Rated Voltage	Operating Voltage Range	Input Current	Input Power	Speed	Maximum Air Flow		Maximum Air Pressure		Noise
PART NO.	FUNCTION	VDC	VDC	Amp	Watt	R.P.M.	m <sup>3</sup> /min	CFM	mmH <sub>2</sub> O	IN H <sub>2</sub> O	dB-A
PFR0612UHE	-R00 / -F00	12	7.0 to 13.2	1.00	12.00	12500	1.606	56.70	50.27	1.979	60.2
PFR0612DHE	-R00 / -F00	12	7.0 to 13.2	1.60	19.20	14500	1.868	65.95	63.56	2.502	63.3
PFR0612XHE	-R00 / -F00	12	7.0 to 13.2	2.30	27.60	16500	2.157	76.16	80.90	3.185	67.7

- \* Function type is optional.
- \* The max. air flow and the speed are measured in free air ; max. air pressure is measured at zero air flow.
- \* Noise is measured in anechoic chamber in free air, one meter from intake side.
- \* All readings are typical values at rated voltage.
- \* Specifications are subject to change without notice.