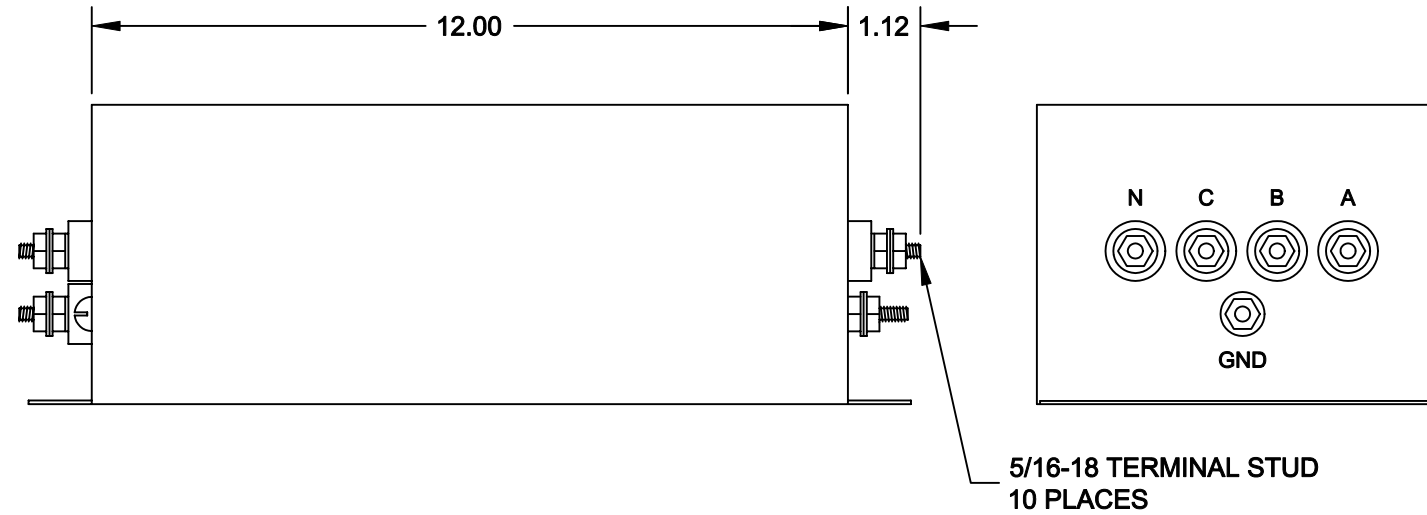
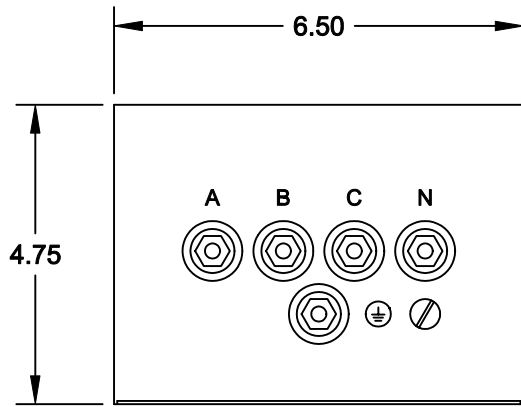
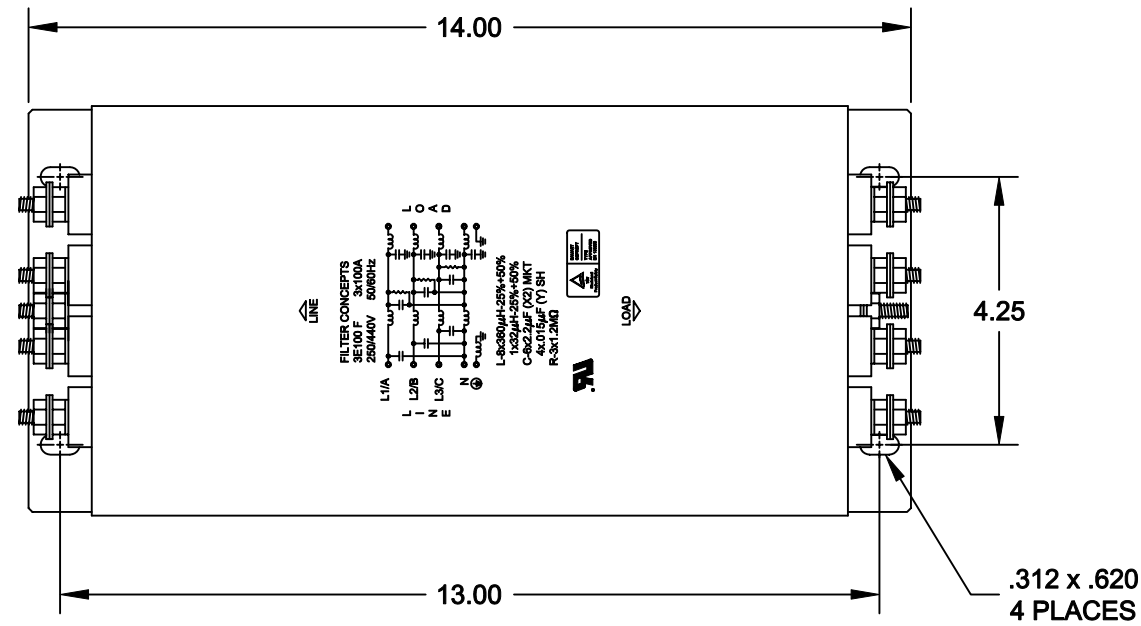


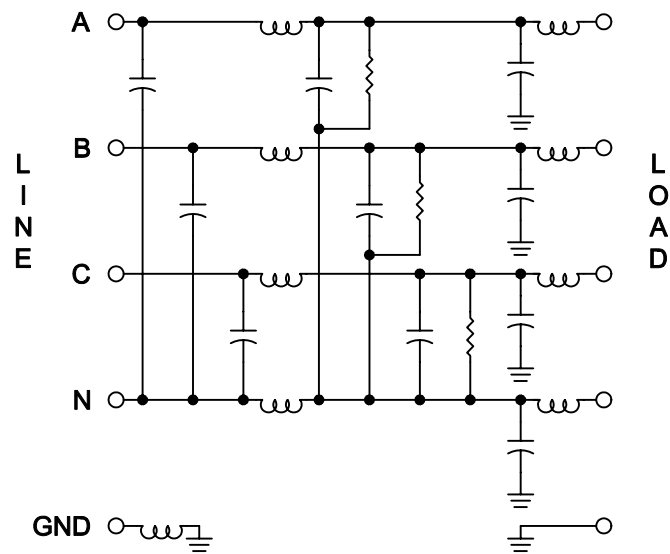
SPECIFICATIONS

1. CASE:
18 GA. (.048) CRS, TIN PLATED
2. RATED CURRENT:
3 x 100A
3. RATED VOLTAGE:
250/440VAC, 50/60Hz
4. TEST VOLTAGE:
LINE TO NEUTRAL: 1.7KVDC
LINE TO GROUND: 2.2KVDC
5. LEAKAGE CURRENT:
2.4mA @ 250VAC, 50Hz

REVISION			
LTR	DESCRIPTION	DATE	APPROVED
A	INITIAL RELEASE	05-02-02	LE
B	REVISED MARKING	03-13-03	LE



SCHEMATIC



INSERTION LOSS (50Ω TYPICAL)

	.05 MHz	.15 MHz	.50 MHz	1.5 MHz	5.0 MHz	20 MHz
L/N	20 db	30 db	55 db	50 db	50 db	50 db
L/G	1 db	30 db	60 db	60 db	55 db	50 db

NEXT ASSY	USED ON
APPLICATION	

UNLESS OTHERWISE SPECIFIED DIMENSIONS ARE INCHES TOLERANCES ARE: FRACTIONS DECIMALS ANGLES ± .XX ±.030 ± .XXX ±.010	CONTRACT NO.	
	APPROVALS	DATE
	DRAWN GIANG TRINH	05-02-02
	CHECKED DANNIEL VUONG	05-02-02
MATERIAL		
FINISH		

FILTER CONCEPTS INC.

APPLICATION DRAWING
3E100 F FILTER

SIZE B	CODE IDENT NO.	DRAWING NO. 7267
SCALE 1/3	SHEET 1 OF 1	