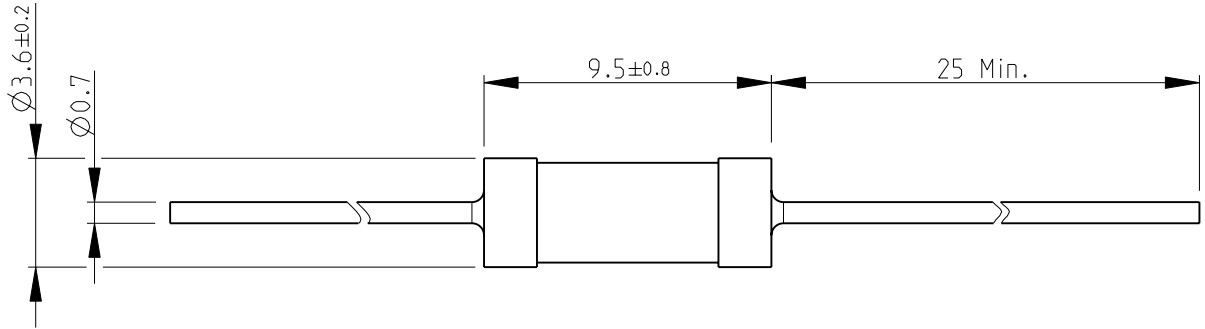
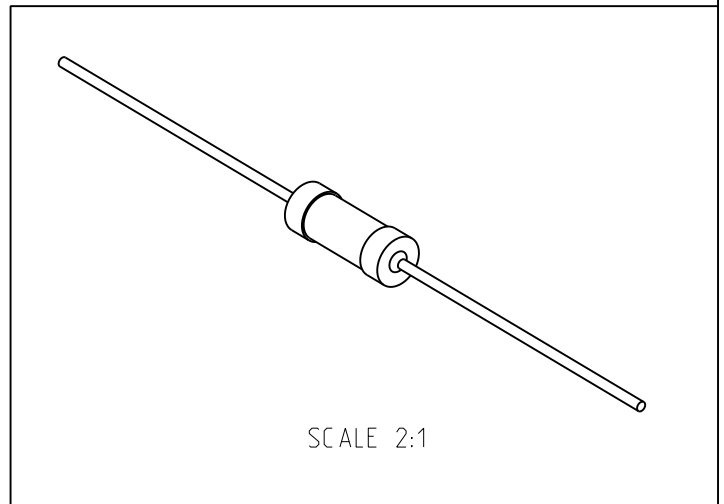


LOC	DIST	REVISIONS			
P	LTR	DESCRIPTION	DATE	DWN	APVD
E	B	A1	REVISED PER ECO-11-005150	29MAR2011	RK HMR

FOR FURTHER INFORMATION SEE DATA SHEET FOR
CBT SERIES-CARBON COMPOSITION RESISTORS



RoHS Compliant



SCALE 2:1

2008


RELEASED FOR PUBLICATION

THIS DRAWING IS UNPUBLISHED.

ALL RIGHTS RESERVED.

BY -

© COPYRIGHT 2008

DIMENSIONS: mm	DWN	18-Sep-08	MATERIAL	-	FINISH	-
	CHK	18-Sep-08	 TE Connectivity			
TOLERANCES UNLESS OTHERWISE SPECIFIED:	APVD	18-Sep-08				
	0 PLC	± 0.2	NAME	CARBON COMPOSITION RESISTORS		
1 PLC	± 0.1	PRODUCT SPEC	SERIES CBT50			
2 PLC	\pm	APPLICATION SPEC	SIZE	CAGE CODE	DRAWING NO	RESTRICTED TO
3 PLC	\pm		A 4	00779	C-1625876	-
4 PLC	\pm		CUSTOMER DRAWING			
ANGLES	$\pm 5^\circ$	WEIGHT	SCALE		SHEET	REV
			4:1		1 OF 1	A1