

EPIC-747E

Wide-Range Temperature Intel® Atom™ N455 EPIC Board



Features

- Soldered Onboard Intel® Atom™ N455 Processor
- Soldered Onboard 2GB DDR3 Memory
- Dual Gigabit Ethernet Ports
- Analog RGB and Single Channel 18-bit LVDS Display
- Support Dual Independent Displays
- Integrate SIM Socket to Support Mobile Telecommunication
- **Wide Range Operating Temp.: -40 ~ 85°C**

System

CPU	Soldered onboard Intel® Atom™ N455 1.6GHz processor
Memory	Soldered onboard 2GB DDR3 SDRAM
Chipset	Intel® ICH8M
BIOS	AMI PnP Flash BIOS
Watchdog Timer	1~255 levels reset

I/O

I/O Chip	Winbond W83627UHG
Serial Port	5 x COM ports (4 x RS-232, 1 x RS-232/422/485 selectable)
USB Port	8 x USB 2.0 ports
KB/MS	1x6-pin wafer connector for keyboard and mouse (PS/2 interface via cable)
Digital I/O	8-bit programmable Digital Input/Output
Expansion Bus	1 x Mini-PCI socket 1 x SIM socket
Storage	1 x Ultra ATA, supporting 2 IDE devices 2 x SATA ports at 300MB/s HDD transfer rate Soldered onboard 2GB NANDrive

Ethernet Chipset	2 x Realtek RTL8111 PCIe GbE controllers
Audio Interface	Realtek ALC888 7.1 Channel HD Audio Codec, Mic-in/Line-in/Line-out

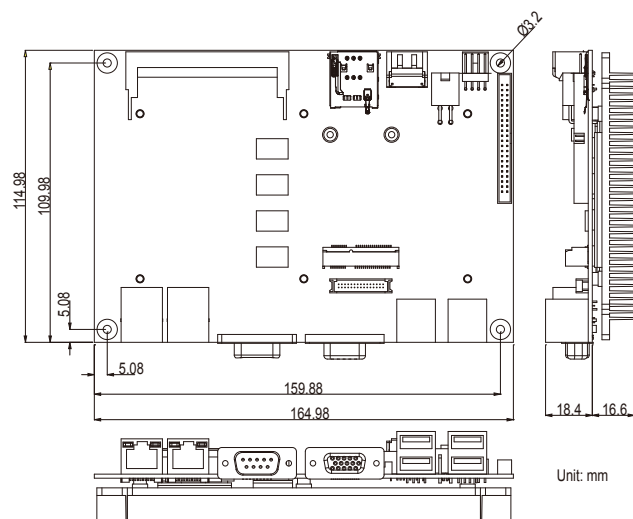
Display

Graphics Chipset	Integrated Intel® Graphics Media Accelerator 3150 Support Analog RGB
Graphics Interface	LCD: Single Channel 18-bit LVDS Support Dual Independent Displays

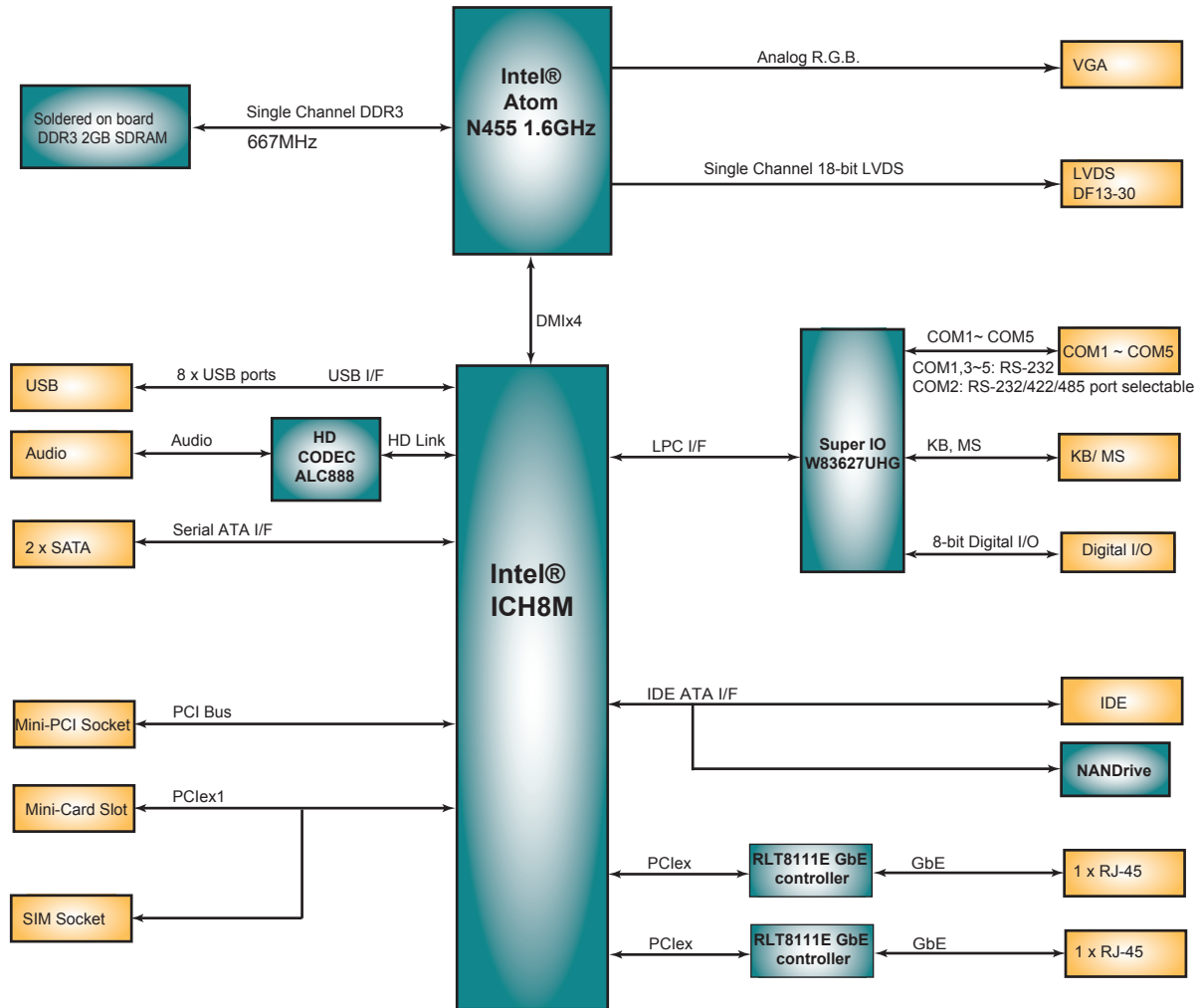
Mechanical & Environmental

Power Connector	4-pin Aux. ATX power connector
Power Consumption	1.27A@+12V (Typical)
Operating Temp.	-40 ~ 85°C (-40 ~ 185°F)
Operating Humidity	10 ~ 95% @ 85°C (non-condensing)
Dimensions (L x W)	165 x 115 mm (6.5" x 4.53")

Dimensions



Block Diagram



Ordering Information

EPIC-747E

Intel® Atom™ N455 EPIC compact board with 2GB NANDrive

Optional Accessories

CBK-11-2902-00

- Cable kit
- 1 x IDE cable
 - 1 x AUDIO cable
 - 2 x SATA cables
 - 2 x USB cables
 - 4 x COM port cables
 - 1 x KB/MS cable