

**NEW**



Standard PC Card/ Single Slot Compatible with Card Bus

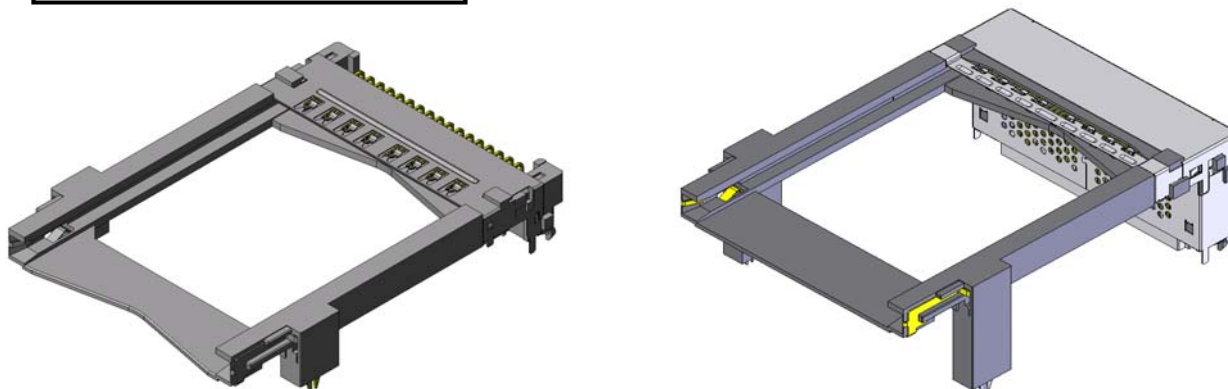
CONNECTOR

MB-0152-3

November 2006

## JC22 Series

**RoHS Compliant**



Along with the spread of digital broadcasting, installation of security modules in digital televisions etc. are rapidly speeding up.

JC22 series is a card bus connector compatible with PC card standard (Type I / II ) suitable for various devices such as digital-consumer devices.

### Features

- Compatible with PC Card Standard (TYPE I / II)
- DIP type-standard mounting and frame integrated structure
- Standoff height in 5mm and 17mm for effective utilization of mounting space and heat radiation
- With or without EMI shielding type is available
- Snap-in structure for easy board attachment

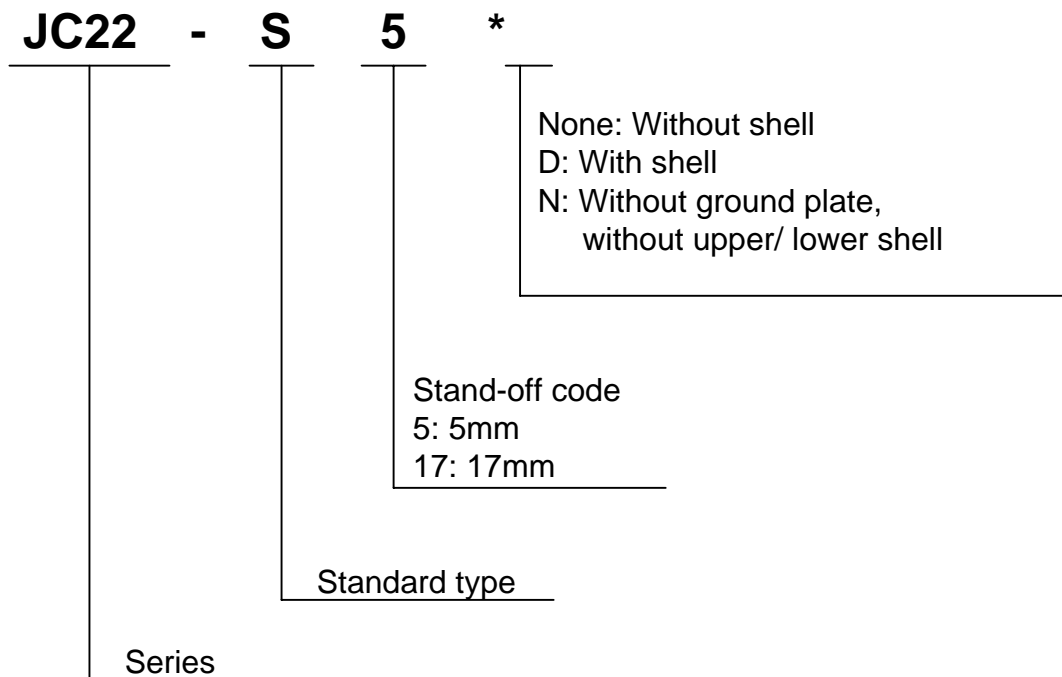
### General Specifications

- |  |   |
|--|---|
| •No. of contacts: 68 pos.  | •Rated current: 0.5A per pin                          |
| •Contact resistance:<br>40m ohm max. (initial)<br>Variation: 20m ohm max. (after test) | •Insulation resistance:<br>100M ohm min. (after test) |
| •Dielectric withstanding voltage:<br>AC 500Vr.m.s (per minute)                         | •Life time: 10,000 times                              |
|  | •Operating temperature:<br>-20 Deg. C to 60 Deg. C    |

Materials and Finishes

Components	Materials/ Finishes
Insulator	Glass filled PBT
Contact	Copper alloy/ contact area: 0.1 um min. Au plating over Ni terminal area: Sn plating over Ni
Ground plate	Phosphor bronze/ partial Au plating
Hook pin	Phosphor bronze/ Sn plating over Ni
Earth lug	Phosphor bronze/ Ni plating
Locator	Glass filled PBT
Shell	Stainless steel

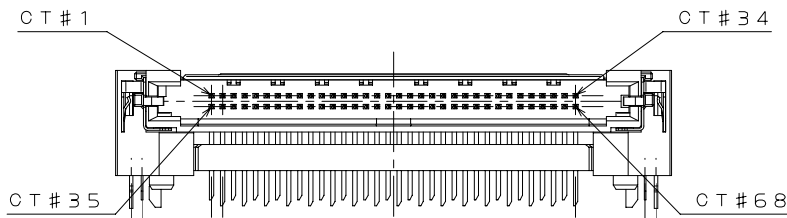
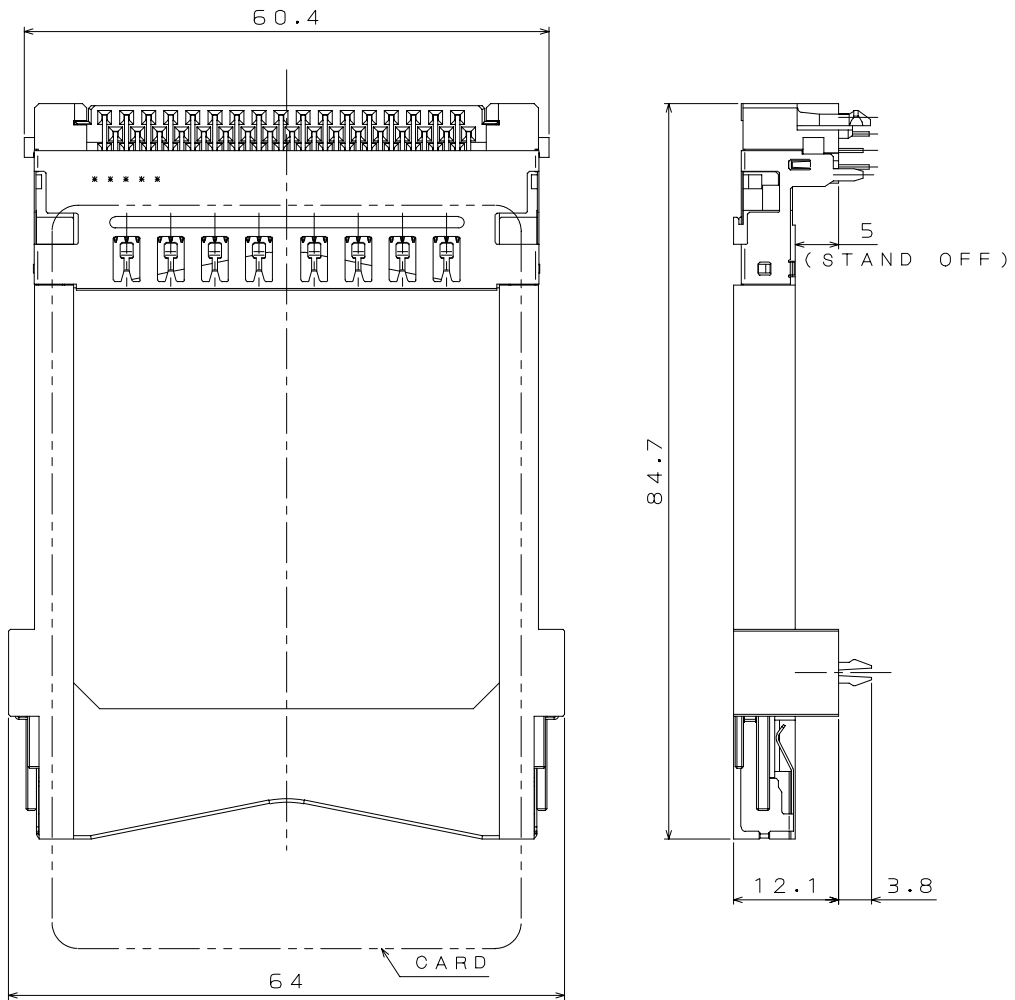
Ordering Information



Product Drawing

**JC22-S5**

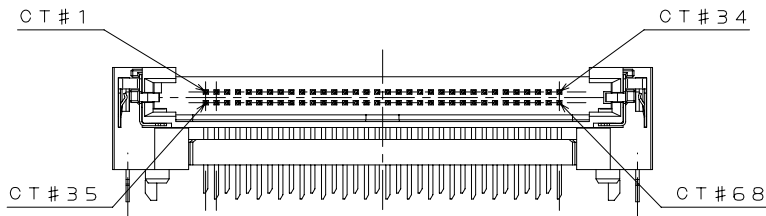
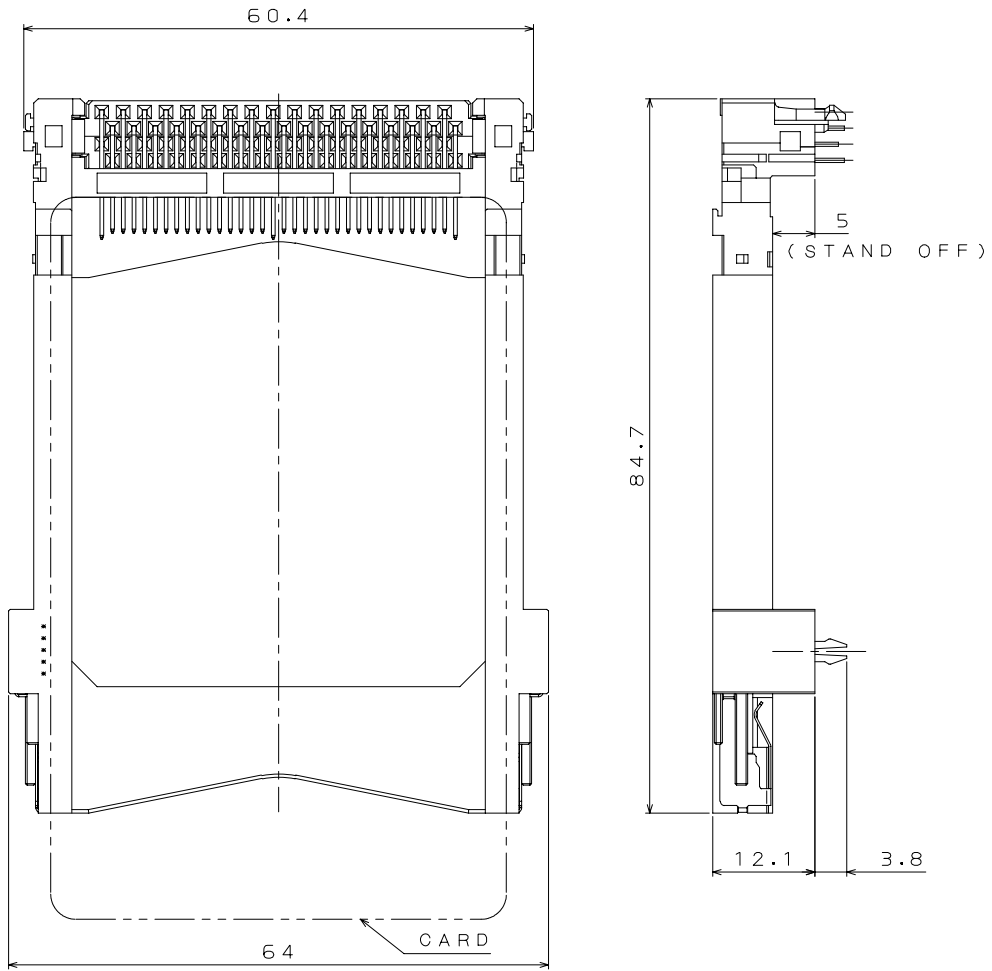
(Stand-off 5mm type, with ground plate, without shell)



Product Drawing

**JC22-S5N**

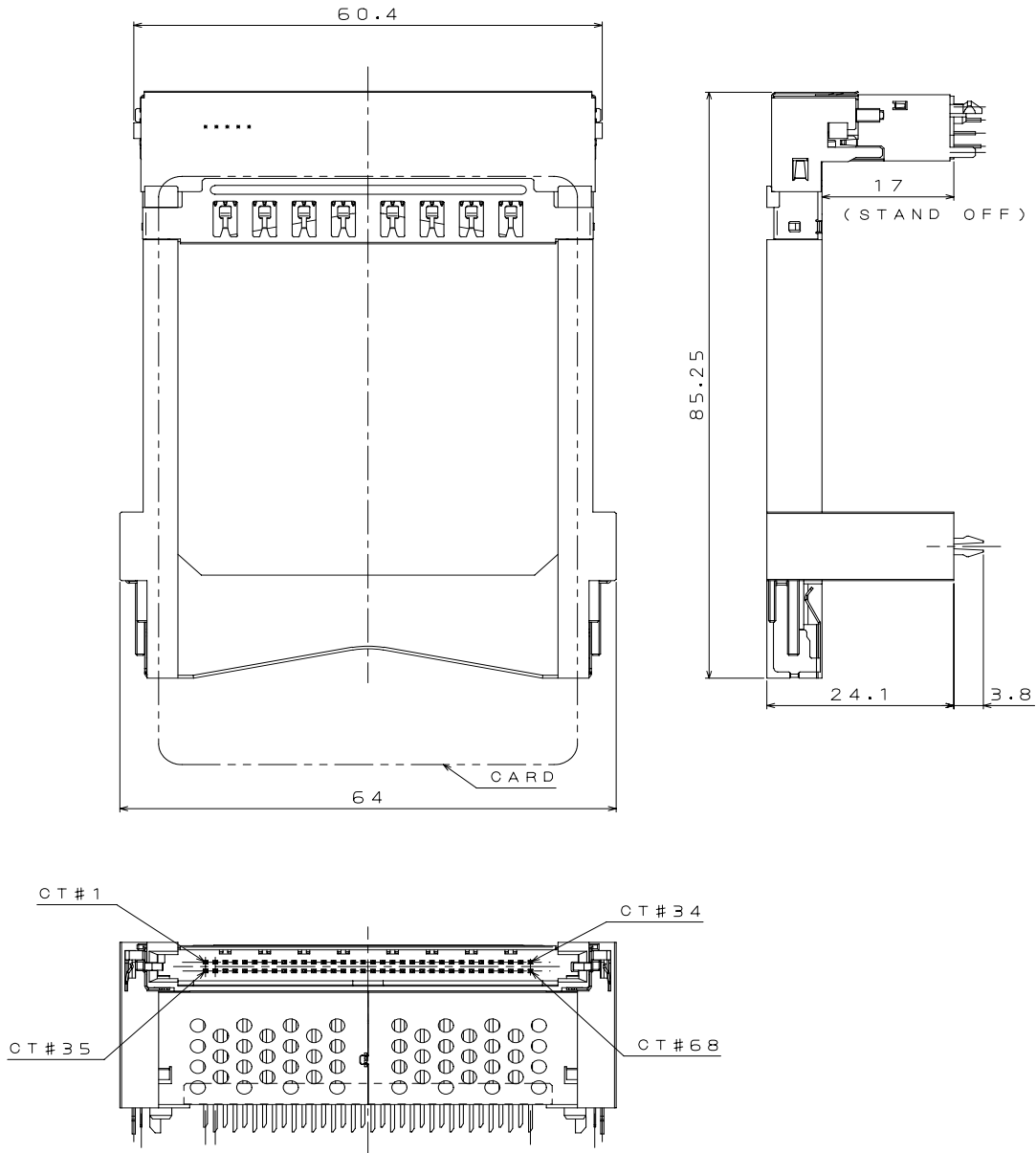
(Stand-off 5mm type, without ground plate, without shell)



Product Drawing

■JC22-S17D

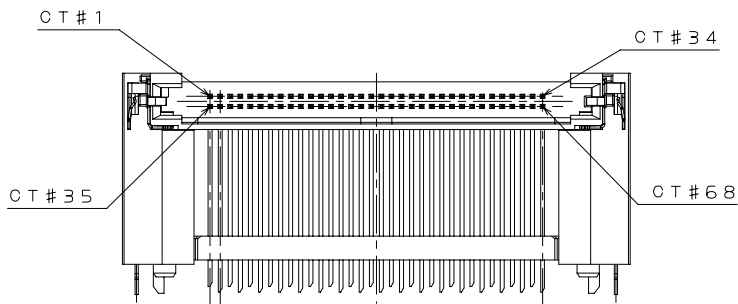
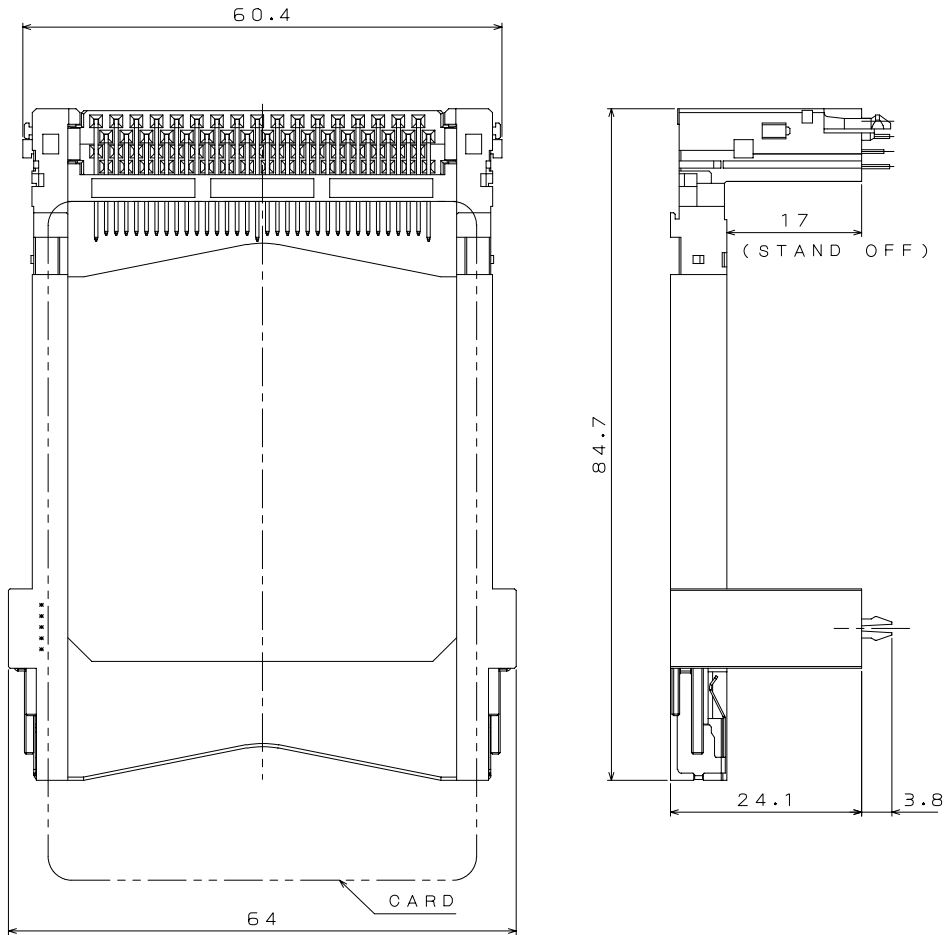
(Stand-off 17mm type, with ground plate, with shell)



Product Drawing

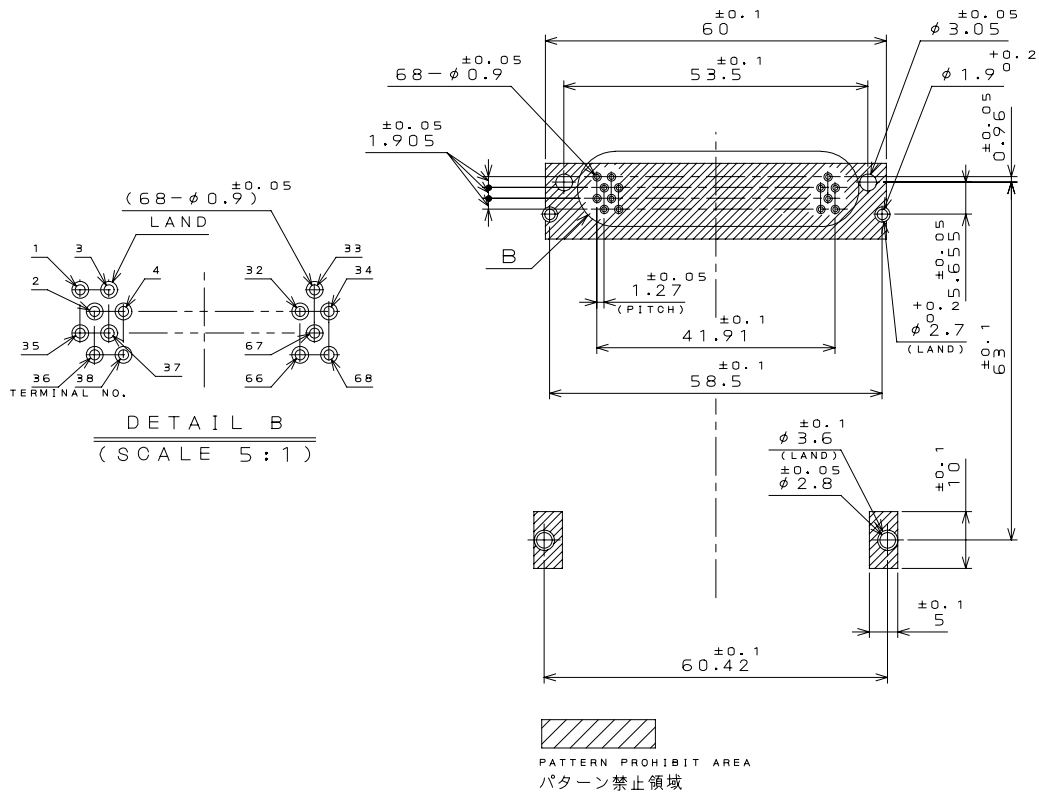
■JC22-S17N

(Stand-off 17mm type, without ground plate, without shell)



<Applicable Board Dimension>

■JC22-S5, JC22-S17D



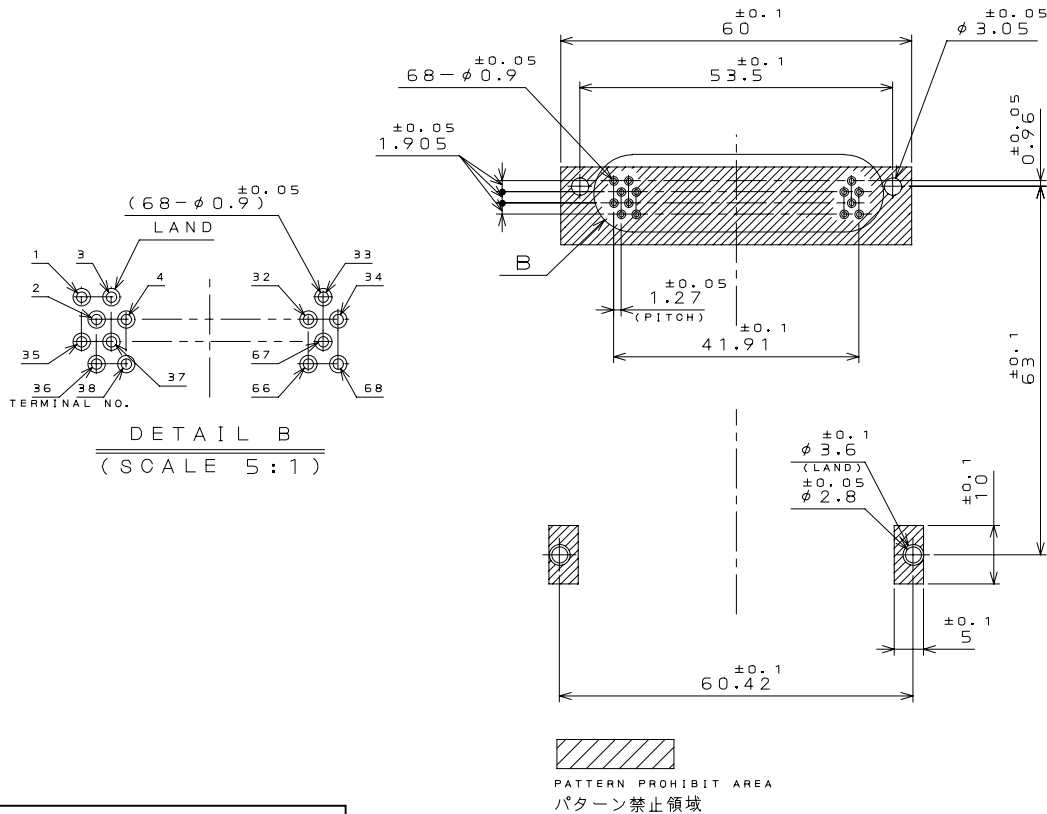
Drawing Number

Part Number	Drawing Number	Specification
JC22-S5	SJ104764	JACS-10296
JC22-S17D	SJ104765	

■Test report: SR-C-0583

<Applicable dimensions of board>

■JC22-S5N, JC22-S17N



Drawing Number

Part Number	Drawing Number	Specification
JC22-S5N	SJ107250	JACS-10296
JC22-S17N	SJ107149	

■Test report: SR-C-0583

**Notice:** Products shown in this leaflet are made for the applications listed below. However, if the above-mentioned products are to be used in aerospace devices, marine cable-connection devices, atomic power control systems, medical equipment for life-support systems, or any other specific application requiring extremely high reliability, please contact JAE for further information.  
 Recommended applications: Computers, Office machines, Measuring devices, Telecommunication devices (Terminals, Mobile devices), AV devices, Household applications, FA devices, etc.

Japan Aviation Electronics Industry, Limited

Product Marketing Division  
 Aobadai Building, 3-1-19, Aobadai, Meguro-ku, Tokyo 153-8539  
 Phone: +81-3-3780-2787 FAX: +81-3-3780-2946

\* The specifications in this brochure are subject to change without notice. Please contact JAE for information.



# Mouser Electronics

Authorized Distributor

Click to View Pricing, Inventory, Delivery & Lifecycle Information:

[JAE Electronics:](#)

[JC22-S17D](#) [JC22-S5](#) [JC22-S5N](#) [JC22-S17N](#)