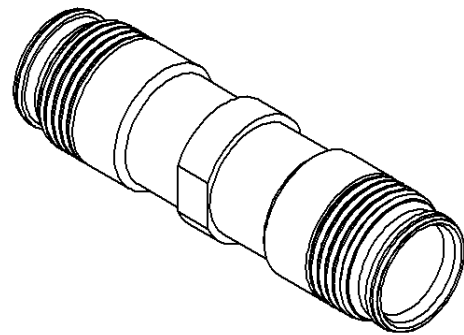
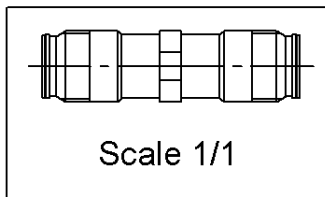
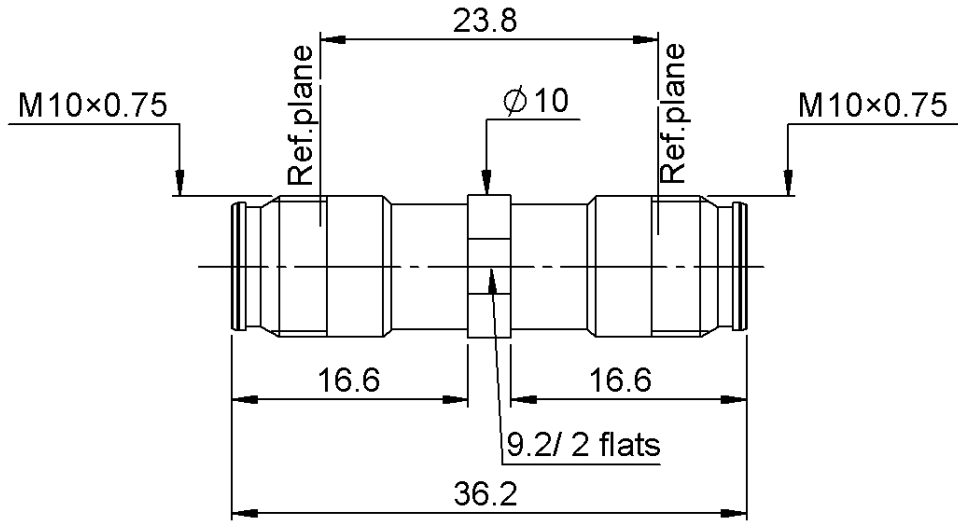
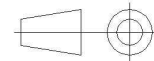


| | | | |
|----------|-----------------|--------------|------------------------|
| PAGE 1/2 | ISSUE 01-02-18A | SERIES NEX10 | PART NUMBER R180705006 |
|----------|-----------------|--------------|------------------------|



All dimensions are in mm. Tolerances according ISO 2768 m-H



| COMPONENTS | MATERIALS | PLATING (μm) |
|----------------|-------------------------|---------------------------|
| Body | BRASS. | HEP2R |
| Center contact | BERYLLIUM COPPER | SILVER |
| Outer contact | | |
| Insulator | PTFE | |
| Gasket | | |
| Others parts | | |
| - | - | - |
| - | - | - |

| | | | |
|----------|------------------------|---------------------|-------------------------------|
| PAGE 2/2 | ISSUE 01-02-18A | SERIES NEX10 | PART NUMBER R180705006 |
|----------|------------------------|---------------------|-------------------------------|

PACKAGING

| Standard | Unit | Other |
|-----------|-------------------|-------------------|
| 50 | Contact us | Contact us |

ELECTRICAL CHARACTERISTICS

| | | | |
|---------------------------------|-------------|-------------|-----------------------------|
| Impedance | | 50 | Ω |
| Frequency | | 0-20 | GHz |
| VSWR | 1.02 | + | 0.0200 x F(GHz) Maxi |
| Insertion loss | | 0.05 | √F(GHz) dB Maxi |
| RF leakage | - (| NA | - F(GHz)) dB Maxi |
| Voltage rating | | 500 | Veff Maxi |
| Dielectric withstanding voltage | | 1500 | Veff mini |
| Insulation resistance | | 5000 | MΩ mini |

MECHANICAL CHARACTERISTICS

| | | | |
|----------------------------|--|----------------|-------------|
| Center contact retention | | | |
| Axial force – Mating End | | 27 | N mini |
| Axial force – Opposite end | | 27 | N mini |
| Torque | | NA | N.cm mini |
| Recommended torque | | | |
| Mating | | NA | N.cm |
| Panel nut | | NA | N.cm |
| Mating life | | 100 | Cycles mini |
| Weight | | 13.6600 | g |

ENVIRONMENTAL

| | | |
|-----------------------|-----------------|-----------|
| Operating temperature | -55/+125 | °C |
| Hermetic seal | NA | Atm.cm3/s |
| Panel leakage | NA | |

SPECIFICATION

OTHER CHARACTERISTICS

Assembly instruction:**NA**

Others:
***IP68(1m,24h) mated condition**
****PIM3<=-123 dBm, 2 carriers of +43dBm**

| CUSTOMER'S APPROVAL | |
|--------------------------------------------|--|
| Department or company's stamp | |
| Name : | |
| Date : | |
| Copy to send back to RADIALL S.A. BEFORE : | |