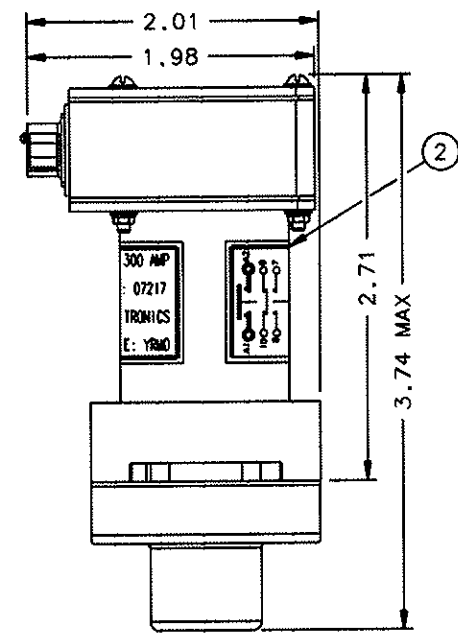
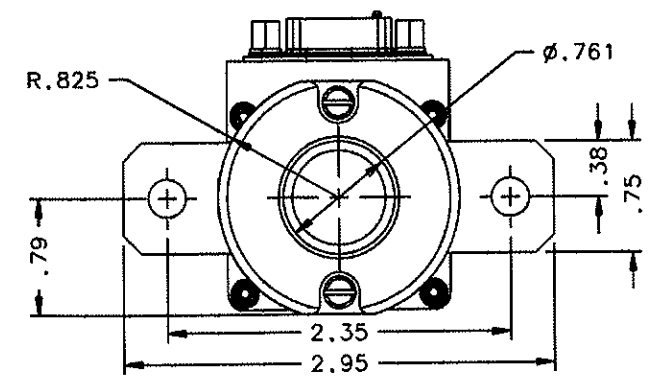
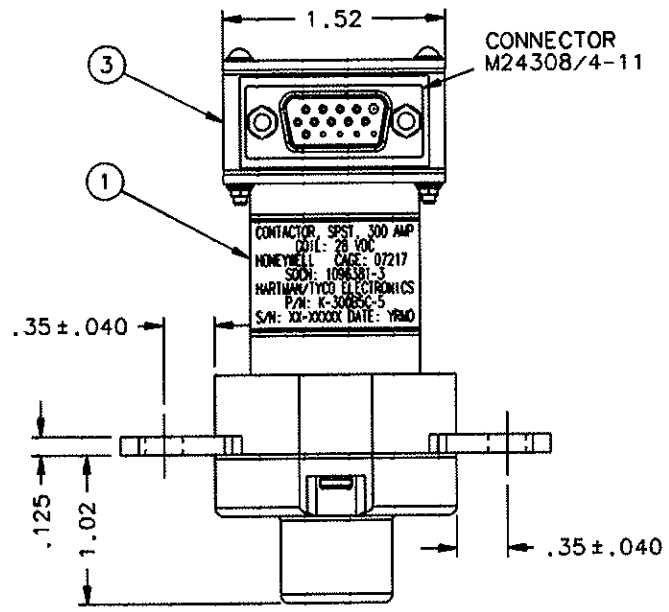
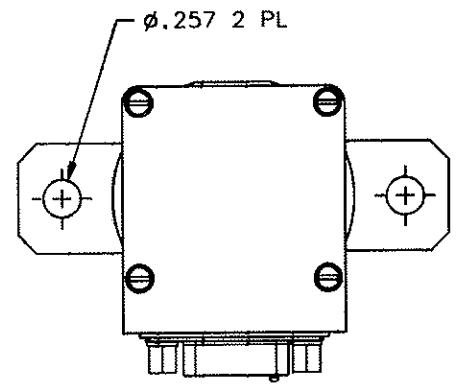


REVISIONS		RELEASED	
SYM	DESCRIPTION	DATE	APPROVED
A	0175-03 REMOVED NOTE 7	03/12/23	CB
B	0569-04 REMOVED ITEM 4	04/07/06	CB

THIS ENTIRE DRAWING IS SUBJECT TO THE FOLLOWING LEGEND:  
 THESE PORTIONS OF THIS TECHNICAL DATA INDICATED AS LIMITED RIGHTS DATA SHALL NOT, WITHOUT THE WRITTEN PERMISSION OF THE ABOVE CONTRACTOR, BE EITHER (a) USED, RELEASED OR DISCLOSED IN WHOLE OR IN PART OUTSIDE THE GOVERNMENT (b) USED IN WHOLE OR IN PART BY THE GOVERNMENT FOR MANUFACTURE OR, IN THE CASE OF COMPUTER SOFTWARE DOCUMENTATION, FOR PREPARING THE SAME OR SIMILAR COMPUTER SOFTWARE, OR (c) USED BY A PARTY OTHER THAN THE GOVERNMENT, EXCEPT FOR: (1) EMERGENCY REPAIR OR OVERHAUL WORK ONLY, BY OR FOR THE GOVERNMENT, WHERE THE ITEM OR PROCESS CONCERNED IS NOT OTHERWISE REASONABLY AVAILABLE TO ENABLE TIMELY PERFORMANCE OF THE WORK, PROVIDED THAT THE RELEASE OR DISCLOSURE HEREOF OUTSIDE THE GOVERNMENT SHALL BE MADE SUBJECT TO A PROHIBITION AGAINST FURTHER USE, RELEASE OR DISCLOSURE; OR (2) RELEASE TO A FOREIGN GOVERNMENT, AS THE INTEREST OF THE UNITED STATES MAY REQUIRE, ONLY FOR INFORMATION OR EVALUATION WITHIN SUCH GOVERNMENT OR FOR EMERGENCY REPAIR OR OVERHAUL WORK BY OR FOR SUCH GOVERNMENT UNDER THE CONDITIONS OF (1) ABOVE. THIS LEGEND, TOGETHER WITH THE INDICATIONS OF THE PORTIONS OF THIS DATA WHICH ARE SUBJECT TO SUCH LIMITATIONS SHALL BE INCLUDED ON ANY REPRODUCTION HEREOF WHICH INCLUDES ANY PART OF THE PORTIONS SUBJECT TO SUCH LIMITATION.

HARTMAN® PROPRIETARY (DO NOT COPY)



**CONSTRUCTION**  
 MAIN CONTACTS  
 CONFIGURATION SPST N.O. (DOUBLE BREAK)  
 VOLTAGE 28 VDC  
 CURRENT 300 AMPS  
 RESISTIVE OVERLOAD 450 AMPS FOR 5 MIN.  
 1000 AMPS FOR 10 SEC.  
 INRUSH RUPTURE 1500 AMPS  
 3000 AMPS

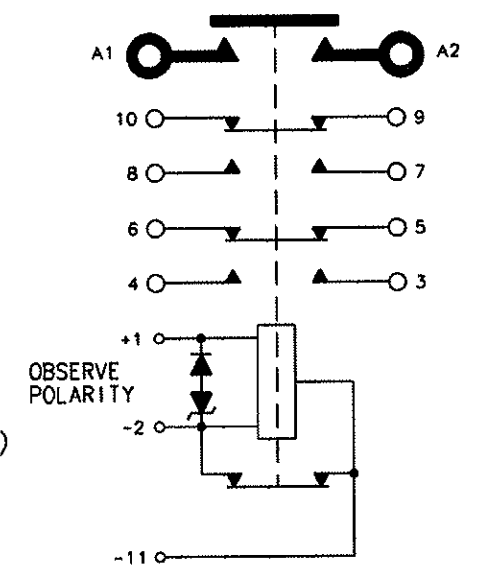
**AUXILIARY CONTACTS**  
 CONFIGURATION 2 N.O., 2 N.C.  
 VOLTAGE 28 VDC  
 CURRENT 5 AMPS  
 RESISTIVE INDUCTIVE LAMP 2 AMPS  
 1 AMP  
 LOW LEVEL 1 mA AT 28 VDC

**COIL DATA**  
 DUTY CYCLE CONTINUOUS (ECONOMIZED)  
 MAX OPERATE VOLTAGE 32 VDC  
 NOM OPERATE VOLTAGE 28 VDC  
 MAX PICKUP VOLTAGE 13 VDC AT 20°C (FIRST APPLICATION)  
 16 VDC AT 85°C  
 9 VDC MAX

**DROPOUT VOLTAGE**  
 COIL CURRENT 8 AMP MAX AT 32 VDC AND -40°C  
 INRUSH 650 mA MAX AT 32 VDC AND 25°C  
 HOLD 35 mSEC MAX AT 18 TO 32 VDC  
 OPERATE TIME 20 mSEC MAX AT 28 VDC  
 RELEASE TIME 5 mSEC MAX AT 18 TO 32 VDC  
 BOUNCE TIME

**ENVIRONMENTAL DATA**  
 TEMPERATURE -55°C TO 85°C  
 ALTITUDE 50,000 FEET

**LIFE ELECTRICAL** 50,000 CYCLES MIN.  
**LIFE MECHANICAL** 100,000 CYCLES MIN.  
**WEIGHT MAX EST.** .61 LBS.



- NOTES:
1. COIL TRANSIENT VOLTAGE LIMITED TO ±42 VOLTS REFERENCED TO ZERO VOLTS.
  2. AUXILIARY CONTACTS ARE GOLD PLATED.
  3. 1 MILLIAMPERE RATING DOES NOT APPLY IF CONTACTS HAVE SWITCHED LOADS ABOVE 1 MILLIAMPERE.
  4. CONNECTION -11 IS PROVIDED TO ENSURE OPTIMUM PERFORMANCE DURING STARTING. WHEN USED AS A START CONTACTOR, POSITIVE VOLTAGE IS APPLIED TO CONNECTION +1, AND NEGATIVE TO CONNECTION -11. FOR CONTINUOUS DUTY OPERATION, POSITIVE VOLTAGE IS APPLIED TO CONNECTION +1, AND NEGATIVE TO CONNECTION -2.
  5. IF CONNECTION -11 IS USED, THE COILS DUTY CYCLE IS INTERMITTENT.
  6. THIS CONTACTOR IS DESIGNED TO HONEYWELL DRAWING NO. 1035288 AND HONEYWELL TECHNICAL SPEC NO. 99E0018

QTY	PART OR IDENTIFYING NO	NOMENCLATURE OR DESCRIPTION	CAGE NO	DRAWING OR SPECIFICATION	MATERIAL OR NOTE
4					
3	1	4489B-050		CONTACTOR ASSEMBLY-PRIMARY	
2	1	44900-003		PLATE-SCHEMATIC DIAGRAM	
1	1	44899-006		PLATE-NAME	
FIND NO	QTY RECD	PART OR IDENTIFYING NO		NOMENCLATURE OR DESCRIPTION	CAGE NO DRAWING OR SPECIFICATION MATERIAL OR NOTE
UNLESS OTHERWISE SPECIFIED DIMENSIONS ARE IN INCHES TOLERANCES ON					
2 PL DEC. 3 PL DEC. ANGLES		DR BY	RCB	03/12/23	
±.06 ±.010 ±1°		CHK BY	CB	03/12/23	
MATERIAL		ENGR	RSS	04/01/08	
		MFG	MB	04/01/14	
		SIZE	CODE IDENT		
		C	74063		
		SCALE	NONE	SHEET	
			Hartman Division, 175 N. Diamond Street Mansfield, Ohio 44902		
			CONTACTOR - SPST N.O. DB 300 AMP, 28 VDC 093		
			DWG NO. K-300B5C-5		
			REF TYCO P/N 0-1616068-9		