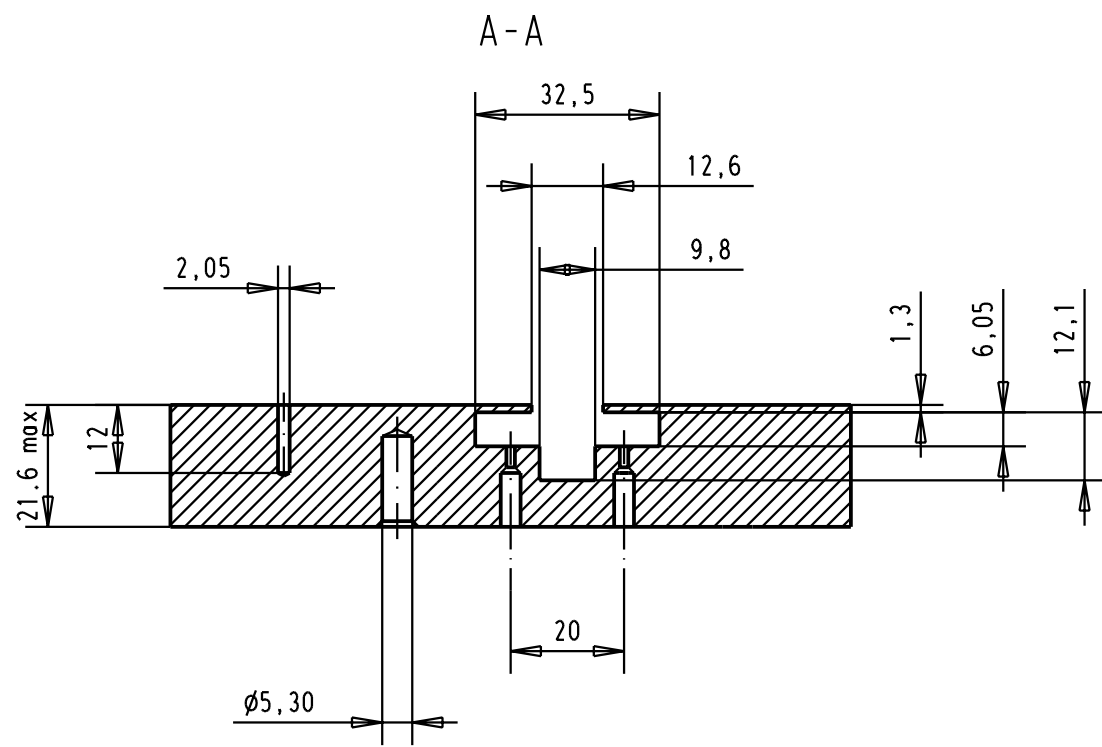
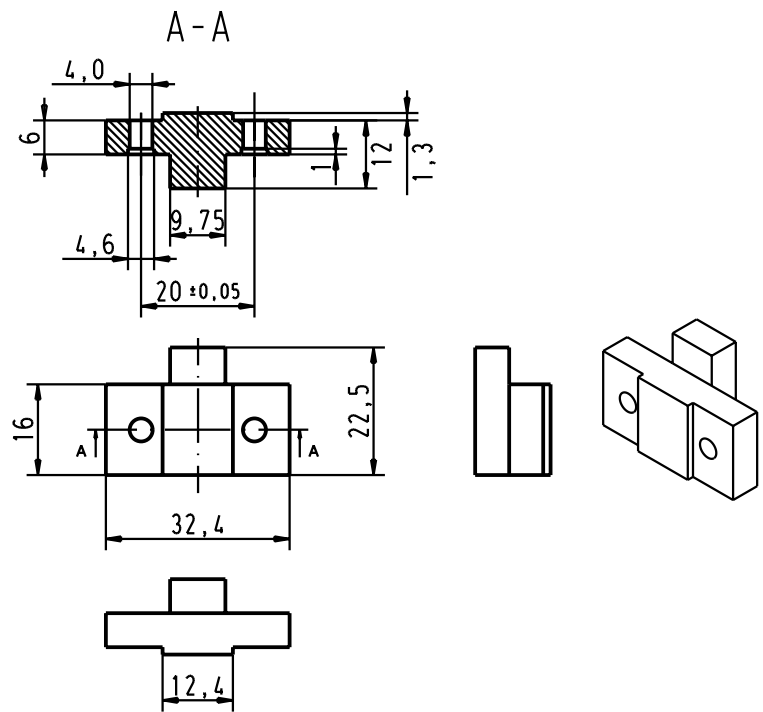
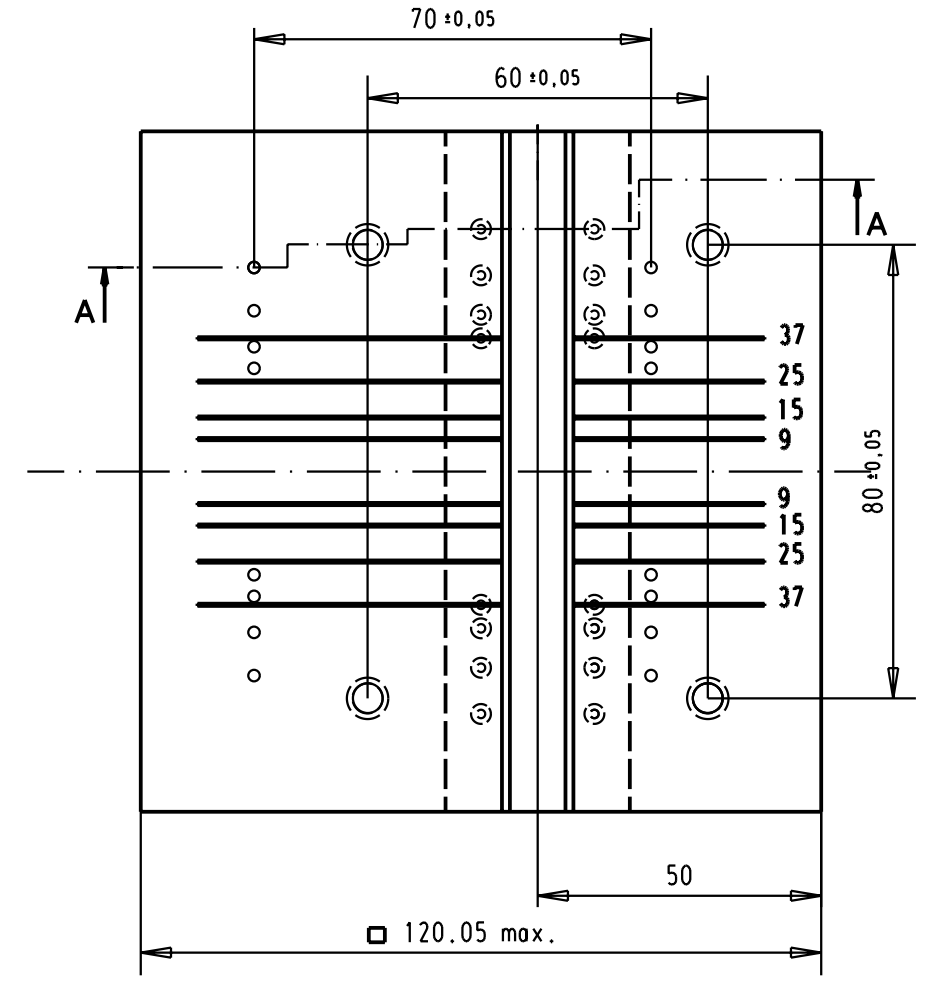


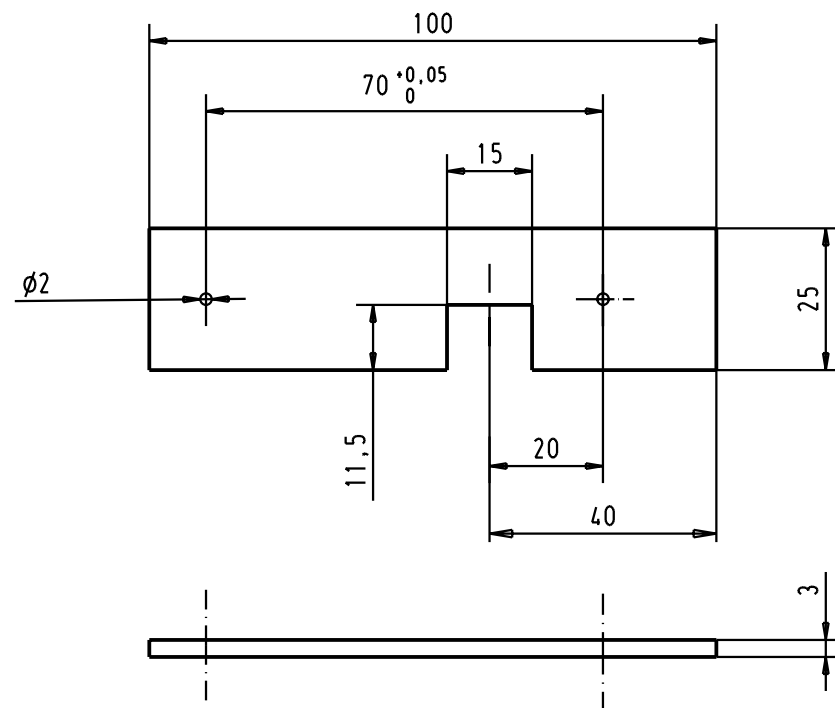
0,5 : 1



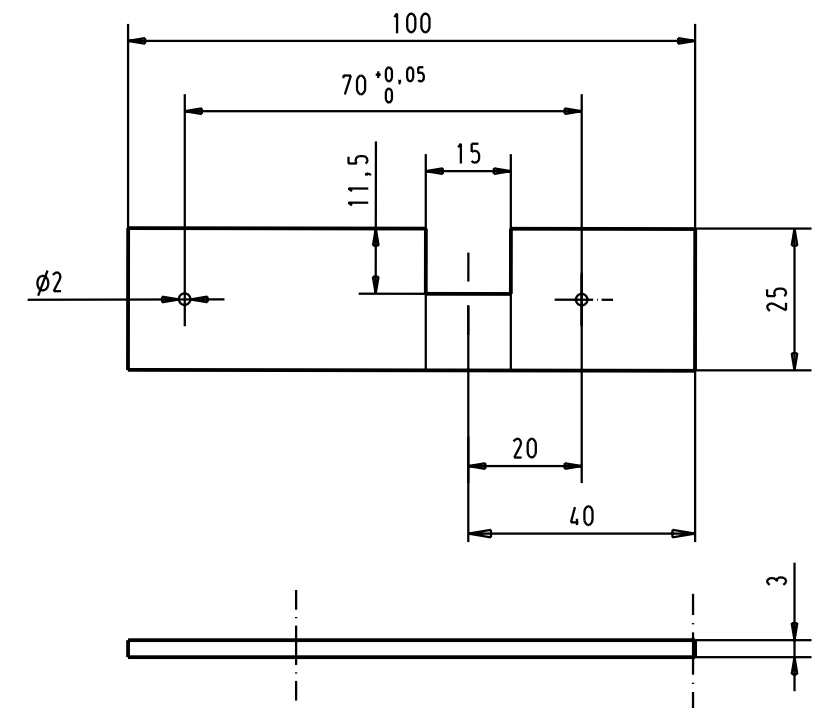
PART 1 : Base plate for D-Sub IDC



PART 2 : Support for D-Sub IDC



PART 3 : Cable guide (left) for D-Sub



PART 4 : Cable guide (right) for D-Sub

Alle Rechte vorbehalten. All rights reserved.

			Det.	Name	 All Dim. in mm Orig. Size DIN A 3	<b>Tool for D-Sub IDC</b>	Moßstab/ Scale	
		Detail.	25-APR-02	CV			0,75 : 1	
		Insp.						
		Stand.						
29778	25-APR-02	CV	HARTING EURL F-95972 Paris				<b>TB 09990000135</b>	Blatt/ Page
Mod.	Det.	Name						1 / 1