

THIS DRAWING IS UNPUBLISHED.

RELEASED FOR PUBLICATION

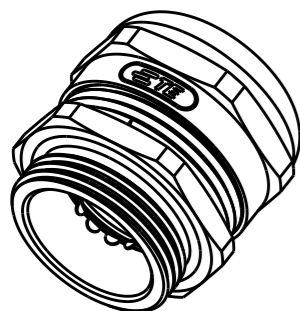
20

© COPYRIGHT 20 BY -

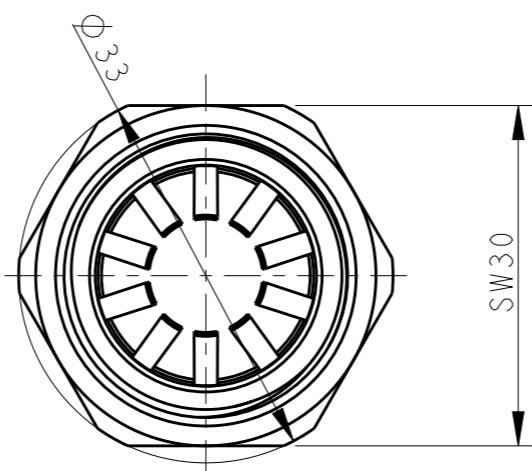
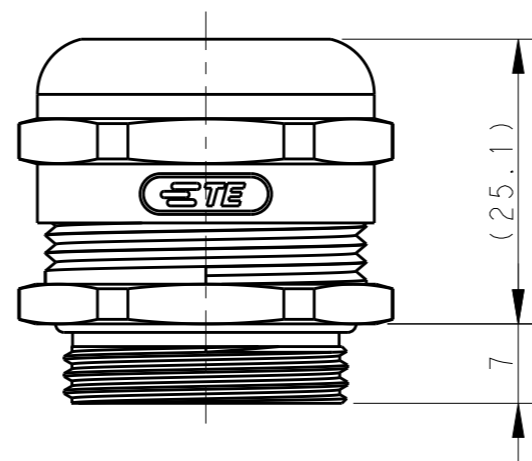
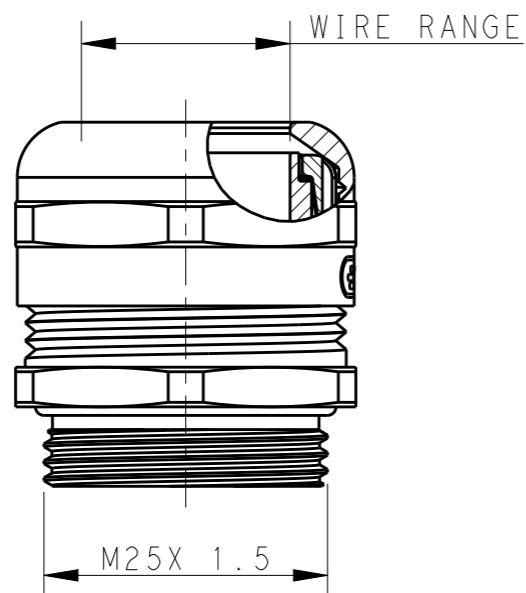
ALL RIGHTS RESERVED.

REVISIONS

P	LTR	DESCRIPTION	DATE	DWN	APVD
	A	INITIAL RELEASE	26 JUL 2016	DW	CW



SCALE 1:1



NOTES / 技术指标:

- I. TECHNICAL CHARACTERISTICS / 技术参数:
- SHELL MATERIAL / 主体材料: NICKEL PLATED BRASS / 铜镀镍
- SEAL MATERIAL / 密封材料: NBR / 丁腈橡胶
- PINCH RING MATERIAL / 夹紧件材料: PA / 尼龙塑料
- OPERATION TEMPERATURE / 工作温度: -40°C - +100°C
- PROTECTION DEGREE / 防护等级: IP68
- WIRE RANGE / 夹线范围: 13-18 mm

T3609250103-000	DLX-25-MC (13-18) 电磁屏蔽金属接头(M25)(13-18)
PART NUMBER 料号	PART DESCRIPTION 描述

THIS DRAWING IS A CONTROLLED DOCUMENT.

DIMENSIONS: mm	TOLERANCES UNLESS OTHERWISE SPECIFIED:
	0 PLC ±-
	1 PLC ±-
	2 PLC ±-
	3 PLC ±-
	4 PLC ±-
	ANGLES ±-
MATERIAL	FINISH
-	-
-	-

DWN	26 JUL 2016
DAVID WANG	
CHK	26 JUL 2016
CHRIS WANG	
APVD	26 JUL 2016
XIANG XU	
PRODUCT SPEC	-
APPLICATION SPEC	-
WEIGHT	-
CUSTOMER DRAWING	

STE TE Connectivity			
NAME DLX-25-MC (13-18)			
SIZE	CAGE CODE	DRAWING NO	RESTRICTED TO
A3	00779	©-T3609250103000	-
SCALE		SHEET	REV
3:2		1 OF 1	A