

N=Number of contacts

Dim L	N/4x5.08
Dim B	(N/4-1)x5.08

Poles	Dim B Tol	Dim L Tol
8pole~24pole	±0.15	±0.15
28pole~48pole	±0.25	±0.25
52pole~72pole	±0.35	±0.35
76pole~96pole	±0.40	±0.40

SIGN	DATE	DESCRIPTION	APPROVER
△	2011.05.04	Added cULus standard	Chen Bo

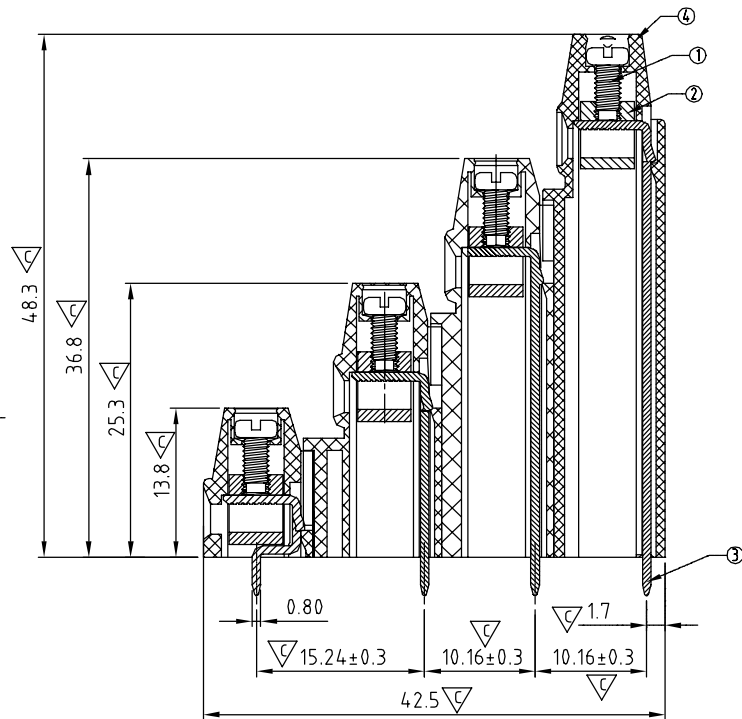
THIS IS CAD DRAWING, DO NOT REVISE MANUALLY!!!

Material:

- Item ① Terminal screw: Steel Zinc plating "--" slot type
- Item ② Clamp: Brass, Ni plating
- Item ③ Wire guard solder pin: Brass, Tin plated
- Item ④ Terminal housing: PA 66 (UL94V-0)

Electrical cULus

- Voltage rating: 300VAC
- Current rating: 10A
- Wire range:
- Solid wire(AWG): 12-24
- Stranded wire(AWG): 12-24
- Torque(Lb-In): 3.5
- Screw: M2.5
- Wire strip length: 6-7mm
- Withstanding Voltage: 1.6KV
- Operating temperature: -40°C to +115°C
- Soldering temperature: 250°C±10°C/5 Sec
- Safety Approval:



PART NO.

YT xx 21 x 0 xxxx G

No. of poles end stackable design	0 Black (RAL9005)	RoHS Pb<40,000ppm
08 4X2P CONTACTS	2 Red (RAL3001/D)	0000 Standard @ Logo
12 4X3P CONTACTS	3 Orange(RAL2011/P)	000A Standard ANY Logo
— — — — —	4 Yellow(RAL1018/A)	Any special item by customer request, please contact sales department.
96 4X24P CONTACTS	5 Green(RAL6018/T)	
	6 Blue (RAL5015/A)	
	8 Grey(RAL7035/D)	

● Critical dimension: ▽

ANYTEK

CUSTOMER COPY

ALL RIGHTS RESERVED. REPRODUCTION OR ISSUE TO THIRD PARTIES IN ANY FORM WHATSOEVER IS NOT PERMITTED WITHOUT WRITTEN AUTHORITY FROM THE PROPRIETOR. PROPERTY OF ANYTEK TECHNOLOGY CO., LTD

TITLE		Y T-5.08mm Series 4x2P-4x24P	
PART NO.	YTx21x0xxxxG	DWG NO.	8YT0101
APPROVED	CHECKED	DESIGNED	DRAWN
			Chen Bo 2011.05.04
SHEET: 01/01		Tolerance	
UNIT: mm		X. ±0.50	
SCALE: NONE		X.X ±0.30	
REV.: C		X.XX ±0.10	
		X° ±1°	