



N=Number of contacts

Dim L	N/4x5.08
Dim B	(N/4-1)x5.08

Poles	Dim B Tol	Dim L Tol
8pole~24pole	±0.15	±0.15
28pole~48pole	±0.25	±0.25
52pole~72pole	±0.35	±0.35
76pole~96pole	±0.40	±0.40

SIGN	DATE	DESCRIPTION	APPROVER
△	2011.05.04	Added cULus standard	Chen Bo

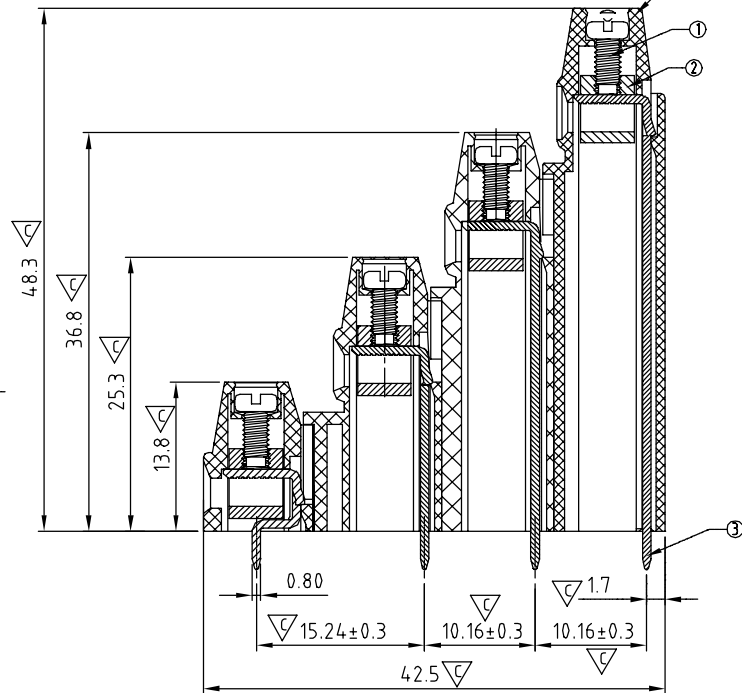
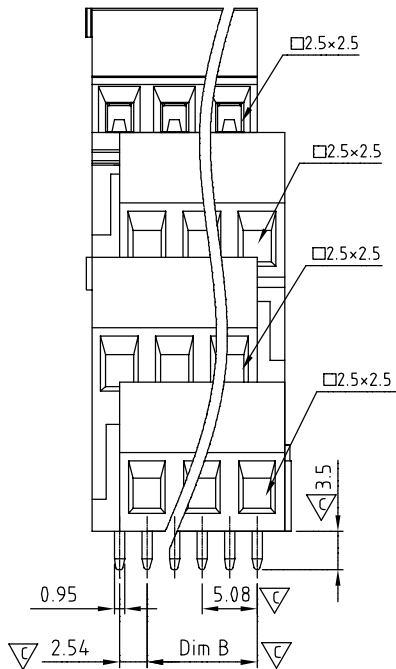
THIS IS CAD DRAWING, DO NOT REVISE MANUALLY!!!

Material:

- Item ① Terminal screw: Steel Zinc plating "--" slot type
- Item ② Clamp: Brass, Ni plating
- Item ③ Wire guard solder pin: Brass, Tin plated
- Item ④ Terminal housing: PA 66 (UL94V-0)

Electrical cULus

- Voltage rating: 300VAC
- Current rating: 10A
- Wire range:
- Solid wire(AWG): 12-24
- Stranded wire(AWG): 12-24
- Torque(Lb-In): 3.5
- Screw: M2.5
- Wire strip length: 6-7mm
- Withstanding Voltage: 1.6KV
- Operating temperature: -40°C to +115°C
- Soldering temperature: 250°C±10°C/5 Sec
- Safety Approval:



PART NO.

YT xx 21 x 0 xxxx G

No. of poles end stackable design	0 Black (RAL9005)	RoHS Pb<40,000ppm
08 4X2P CONTACTS	2 Red (RAL3001/D)	0000 Standard @ Logo
12 4X3P CONTACTS	3 Orange(RAL2011/P)	000A Standard ANY Logo
— — — — —	4 Yellow(RAL1018/A)	Any special item by customer request, please contact sales department.
96 4X24P CONTACTS	5 Green(RAL6018/T)	
	6 Blue (RAL5015/A)	
	8 Grey(RAL7035/D)	

● Critical dimension: ▽

<b>ANYTEK</b>		<b>CUSTOMER COPY</b>	
ALL RIGHTS RESERVED. REPRODUCTION OR ISSUE TO THIRD PARTIES IN ANY FORM WHATSOEVER IS NOT PERMITTED WITHOUT WRITTEN AUTHORITY FROM THE PROPRIETOR. PROPERTY OF ANYTEK TECHNOLOGY CO., LTD			
TITLE	YT-5.08mm Series 4x2P-4x24P		
PART NO.	YTxx21x0xxxxG	DWG NO.	8YT0101
APPROVED	CHECKED	DESIGNED	DRAWN
			Chen Bo 2011.05.04
SHEET: 01/01		UNIT: mm	Tolerance X. ±0.50
		SCALE: NONE	X.X ±0.30
		REV.: C	X.XX ±0.10
			X° ±1°