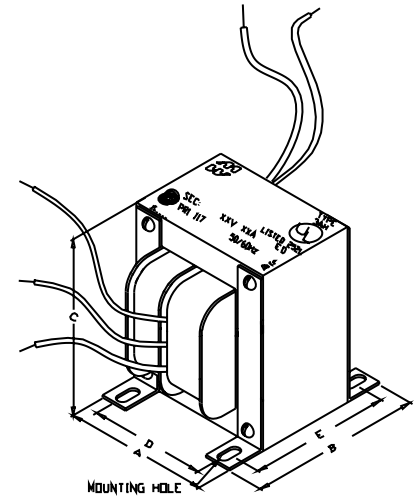
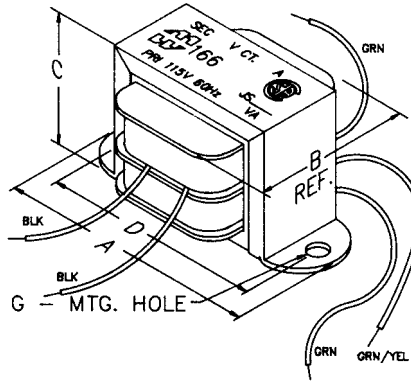
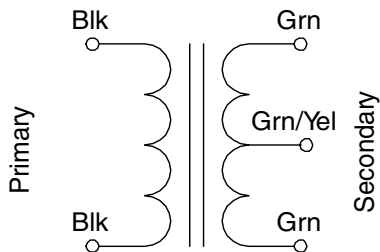


**HAMMOND
MANUFACTURING™**



Transformer Schematic



**OPEN STYLE
FILAMENT & L.V. RECTIFIER USE
TRANSFORMERS**

- Economical single primary 115 VAC, 60 Hz. or 117 VAC, 50/60 Hz. (see tables).
- All secondaries center tapped, VAC (RMS)
- Open style, channel bracket, two hole chassis mount.
- Minimum 6" long leads.
- Dual bobbin design - no electrostatic shield required.
- Class B insulation (130 degrees, C)
- Hi-Pot test of 2,000V RMS.
- UL Listed
- CSA Certified
- For more information on this series, go to:

<http://www.hammondmfg.com/166.htm>

Dimension Table

Mtg. Style	Dimensions (Inches)					Mtg. Hole/Slot (Inches)
	A	B	C	D	E	
B1H	3.44	2.98	4.13	2.75	2.38	0.203 x 0.375
B2H	3.75	3.56	4.50	3.00	3.00	0.203 x 0.375
C0H	1.35	0.69	0.69	1.06	-	0.125
C1H	1.63	0.88	0.81	1.38	-	0.125
C2H	2.06	1.25	1.19	1.75	-	0.187
C3H	2.06	1.38	1.19	1.75	-	0.187
C4H	2.38	1.38	1.38	2.00	-	0.187
C5H	2.38	1.50	1.38	2.00	-	0.187
C6H	2.81	1.50	1.69	2.38	-	0.187
C7H	2.81	1.63	1.69	2.38	-	0.187
C8H	3.25	1.63	2.00	2.81	-	0.187
C9H	3.25	1.75	2.00	2.81	-	0.187
C10H	3.25	2.00	2.00	2.81	-	0.187
C11H	3.69	1.88	2.31	3.13	-	0.187
C12H	3.69	2.00	2.31	3.13	-	0.187
C13H	3.69	2.13	2.31	3.13	-	0.187
C14H	4.03	2.25	2.63	3.56	-	0.187
C15H	4.03	2.50	2.63	3.56	-	0.187
C16H	4.50	2.50	3.00	4.00	-	0.203

Part No.	VA	Primary	Secondary (R.M.S.)		Dim Ref.
			VAC	Amps	
166F2	0.63	115 V 60 Hz.	2.5 C.T.	0.25	C2H
166G2	1.25	115 V 60 Hz.	2.5 C.T.	0.5	C2H
166J2	2.5	115 V 60 Hz.	2.5 C.T.	1	C3H
166K2	3.75	115 V 60 Hz.	2.5 C.T.	1.5	C4H
166L2	6.25	115 V 60 Hz.	2.5 C.T.	2.5	C6H
166M2	7.5	115 V 60 Hz.	2.5 C.T.	3	C6H
166Q2	15	115 V 60 Hz.	2.5 C.T.	6	C8H
166S2	25	115 V 60 Hz.	2.5 C.T.	10	C12H
166F5	1.25	115 V 60 Hz.	5 C.T.	0.25	C2H
166G5	2.5	115 V 60 Hz.	5 C.T.	0.5	C3H
166J5	5	115 V 60 Hz.	5 C.T.	1	C5H
166L5	10	115 V 60 Hz.	5 C.T.	2	C7H
166MS	15	115 V 60 Hz.	5 C.T.	3	C9H
166R5	40	115 V 60 Hz.	5 C.T.	8	C12H
166RS	40	115 V 60 Hz.	5 C.T.	8	C16H
166S5	50	115 V 60 Hz.	5 C.T.	10	C13H

Part No.	VA	Primary	Secondary (R.M.S.)		Dim Ref.
			VAC	Amps	
166U5	75	115 V 60 Hz.	5 C.T.	15	C14H
166V5	100	115 V 60 Hz.	5 C.T.	20	C16H
166E6	0.95	115 V 60 Hz.	6.3 C.T.	0.15	C2H
166F6	1.89	115 V 60 Hz.	6.3 C.T.	0.3	C3H
166G6	3.78	115 V 60 Hz.	6.3 C.T.	0.6	C4H
166J6	6.3	115 V 60 Hz.	6.3 C.T.	1	C6H
166K6	7.56	115 V 60 Hz.	6.3 C.T.	1.2	C6H
166K6B	7.56	117 V 50/60 Hz.	6.3 C.T.	1.2	C6H
166L6	12.6	115 V 60 Hz.	6.3 C.T.	2	C7H
166M6	18.9	117 V 50/60 Hz.	6.3 C.T.	3	C10H
166N6	25.2	115 V 60 Hz.	6.3 C.T.	4	C9H
166Q6	37.8	115 V 60 Hz.	6.3 C.T.	6	C12H
166S6	63	115 V 60 Hz.	6.3 C.T.	10	C14H
166G7	4.9	115 V 60 Hz.	7 C.T.	0.7	C5H
166U7	112.5	115 V 60 Hz.	7.5 C.T.	15	C16H
166G8	4	115 V 60 Hz.	8 C.T.	0.5	C4H

Part No.	VA	Primary	Secondary (R.M.S.)		Dim Ref.
			VAC	Amps	
166J8	8.5	115 V 60 Hz.	8.5 C.T.	1	C6H
166L8	17	115 V 60 Hz.	8.5 C.T.	2	C8H
166M8	25.5	115 V 60 Hz.	8.5 C.T.	3	C9H
166N8	34	115 V 60 Hz.	8.5 C.T.	4	C10H
166G9	4.5	115 V 60 Hz.	9 C.T.	0.5	C4H
166F10	3	115 V 60 Hz.	10 C.T.	0.3	C3H
166G10	5	115 V 60 Hz.	10 C.T.	0.5	C5H
166J10	10	115 V 60 Hz.	10 C.T.	1	C7H
166L10	20	115 V 60 Hz.	10 C.T.	2	C9H
166M10	30	115 V 60 Hz.	10 C.T.	3	C10H
166N10	40	115 V 60 Hz.	10 C.T.	4	C12H
166P10	50	115 V 60 Hz.	10 C.T.	5	C13H
166R10	80	115 V 60 Hz.	10 C.T.	8	C15H
166S10	100	115 V 60 Hz.	10 C.T.	10	C16H
166P11	55	115 V 60 Hz.	11 C.T.	5	C13H
166S11	110	115 V 60 Hz.	11 C.T.	10	C16H
166C12	0.63	115 V 60 Hz.	6.3/12.6 C.T.	.1/.05	C2H
166E12	1.8	115 V 60 Hz.	12 C.T.	0.15	C3H
166F12B	3.6	115 V 60 Hz.	12 C.T.	0.3	C4H
166F12C	4.2	115 V 60 Hz.	12 C.T.	0.35	C4H
166GD12	8.4	117 V 50/60 Hz.	12	0.7	C7H
166JA12	12	115 V 60 Hz.	12 C.T.	1	C7H
166K12	14.4	115 V 60 Hz.	12 C.T.	1.2	C8H
166JB12	14.4	117 V 50/60 Hz.	12 C.T.	1.2	C9H
166LA12	24	115 V 60 Hz.	12 C.T.	2	C9H
166N12B	48	117 V 50/60 Hz.	12 C.T.	4	C12H
166F12	3.78	115 V 60 Hz.	12.6 C.T.	0.3	C4H
166G12	6.3	115 V 60 Hz.	12.6 C.T.	0.5	C6H
166J12	12.6	115 V 60 Hz.	12.6 C.T.	1	C7H
166K12B	18.9	117 V 50/60 Hz.	12.6 C.T.	1.5	C10H
166L12B	25.2	117 V 50/60 Hz.	12.6 C.T.	2	C10H
166L12	31.5	115 V 60 Hz.	12.6 C.T.	2.5	C10H
166M12	37.8	117 V 50/60 Hz.	12.6 C.T.	3	C13H
166N12	50.4	115 V 60 Hz.	12.6 C.T.	4	C13H
166Q12	75.6	115 V 60 Hz.	12.6 C.T.	6	C14H
166R12	100.8	115 V 60 Hz.	12.6 C.T.	8	C16H
166E14	2.1	115 V 60 Hz.	14 C.T.	0.15	C3H
166G14	7	115 V 60 Hz.	14 C.T.	0.5	C6H
166J14	14	115 V 60 Hz.	14 C.T.	1	C7H
166L14	28	115 V 60 Hz.	14 C.T.	2	C10H
166Q14	84	115 V 60 Hz.	14 C.T.	6	C15H
166F16	4	115 V 60 Hz.	16 C.T.	0.25	C4H
166G16	8	115 V 60 Hz.	16 C.T.	0.50	C6H
166J16	16	115 V 60 Hz.	16 C.T.	1	C8H
166L16	35.2	115 V 60 Hz.	16 C.T.	2.2	C10H
166M16	48	115 V 60 Hz.	16 C.T.	3	C13H
166B18	0.54	115 V 60 Hz.	9/18 C.T.	.06/.03	C2H
166E18	5.4	115 V 60 Hz.	18 C.T.	0.3	C5H
166K18	27	115 V 60 Hz.	18 C.T.	1.5	C9H
166M18	54	115 V 60 Hz.	18 C.T.	3	C13H
166P18	90	115 V 60 Hz.	18 C.T.	5	C15H
166D20	2	115 V 60 Hz.	20 C.T.	0.1	C3H
166E20	3	115 V 60 Hz.	20 C.T.	0.15	C3H

Part No.	VA	Primary	Secondary (R.M.S.)		Dim Ref.
			VAC	Amps	
166F20	6	115 V 60 Hz.	20 C.T.	0.3	C5H
166G20	10	115 V 60 Hz.	20 C.T.	0.5	C7H
166J20	20	115 V 60 Hz.	20 C.T.	1	C9H
166L20	40	115 V 60 Hz.	20 C.T.	2	C11H
166L22	44	115 V 60 Hz.	22 C.T.	2	C13H
166A24	0.63	115 V 60 Hz.	12.6/25.2 C.T.	.05/.025	C2H
166C24	2.04	115 V 60 Hz.	24 C.T.	0.085	C3H
166EA24	4.8	115 V 60 Hz.	24 C.T.	0.2	C5H
166FB24	9.6	117 V 50/60 Hz.	24 C.T.	0.4	C7H
166GD24B	16.8	117 V 50/60 Hz.	24 C.T.	0.7	C9H
166J24	24	117 V 50/60 Hz.	24 C.T.	1	C10H
166JB24	24	115 V 60 Hz.	24 C.T.	1	C9H
166L24	48	115 V 60 Hz.	24 C.T.	2	C13H
166M24	72	115 V 60 Hz.	24 C.T.	3	C14H
166N24	96	115 V 60 Hz.	24 C.T.	4	C16H
166D25	2.5	115 V 60 Hz.	25 C.T.	0.1	C3H
166E25	3.75	115 V 60 Hz.	25 C.T.	0.15	C4H
166F25	7.5	115 V 60 Hz.	25 C.T.	0.3	C6H
166G25	12.5	115 V 60 Hz.	25 C.T.	0.5	C7H
166J25	25	115 V 60 Hz.	25 C.T.	1	C9H
166J25B	25	117 V 50/60 Hz.	25 C.T.	1	C10H
166K25	37.5	115 V 60 Hz.	25 C.T.	1.5	C11H
166L25	50	115 V 60 Hz.	25 C.T.	2	C13H
166M25	75	115 V 60 Hz.	25 C.T.	3	C14H
166L25B	50.4	115 V 50/60 Hz.	25.2 C.T.	2	C14H
166F28	7	115 V 60 Hz.	28 C.T.	0.25	C6H
166G28	14	115 V 60 Hz.	28 C.T.	0.5	C7H
166J28	28	115 V 60 Hz.	28 C.T.	1	C10H
166L28	56	115 V 60 Hz.	28 C.T.	2	C13H
166E30	4.5	115 V 60 Hz.	30 C.T.	0.15	C4H
166F30	7.5	115 V 60 Hz.	30 C.T.	0.25	C6H
166G30	15	115 V 60 Hz.	30 C.T.	0.5	C8H
166J33	33	115 V 60 Hz.	33 C.T.	1	C10H
166K35	52.5	115 V 60 Hz.	35 C.T.	1.5	C13H
166E36	5.4	115 V 60 Hz.	36 C.T.	0.15	C5H
166F36	10.8	115 V 60 Hz.	36 C.T.	0.3	C7H
166G36	18	115 V 60 Hz.	36 C.T.	0.5	C8H
166J36	36	115 V 60 Hz.	36 C.T.	1	C11H
166L42	84	115 V 60 Hz.	42 C.T.	2	C15H
166E44	6.6	115 V 60 Hz.	44 C.T.	0.15	C6H
166F44	11	115 V 60 Hz.	44 C.T.	0.25	C7H
166G44	22	115 V 60 Hz.	44 C.T.	0.5	C9H
166J44	44	115 V 60 Hz.	44 C.T.	1	C12H
166M48	144	117 V 50/60 Hz.	48 C.T.	3	B1H
166C50	3.75	115 V 60 Hz.	50 C.T.	0.075	C4H
166F50	15	115 V 60 Hz.	50 C.T.	0.3	C8H
166G50	25	115 V 60 Hz.	50 C.T.	0.5	C9H
166J50	50	115 V 60 Hz.	50 C.T.	1	C13H
166L50	100	115 V 60 Hz.	50 C.T.	2	C16H
166G60	30	115 V 60 Hz.	60 C.T.	0.5	C10H
166M72	216	117 V 50/60 Hz.	72 C.T.	3	B2H
166G80	40	115 V 60 Hz.	80 C.T.	0.5	C11H
166G100	50	115 V 60 Hz.	100 C.T.	0.5	C13H
166F120	36	115 V 60 Hz.	120 C.T.	0.3	C11H



www.hammondmfg.com