

REVISIONS			
LTR	DESCRIPTION	DATE	APPROVED
NC	RELEASED PER E.C.N. T-11777	89-3-28	390

PART No.	CONNECTOR	CONTACT	INTERFACE	COLOR CODE
DK-621-X633	PLUG	—	A	RED
DK-621-X633-1P	PLUG	PIN	A	RED
DK-621-X633-1S	PLUG	SOCKET	A	RED
DK-621-X634	JACK	—	A	RED
DK-621-X634-1P	JACK	PIN	A	RED
DK-621-X634-1S	JACK	SOCKET	A	RED
DK-621-X635	PLUG	—	B	WHITE
DK-621-X635-2P	PLUG	PIN	B	WHITE
DK-621-X635-2S	PLUG	SOCKET	B	WHITE
DK-621-X636	JACK	—	B	WHITE
DK-621-X636-2P	JACK	PIN	B	WHITE
DK-621-X636-2S	JACK	SOCKET	B	WHITE
DK-621-X637	PLUG	—	C	GREEN
DK-621-X637-3P	PLUG	PIN	C	GREEN
DK-621-X637-3S	PLUG	SOCKET	C	GREEN
DK-621-X638	JACK	—	C	GREEN
DK-621-X638-3P	JACK	PIN	C	GREEN
DK-621-X638-3S	JACK	SOCKET	C	GREEN
DK-621-X639	PLUG	—	D	N/A
DK-621-X639-4P	PLUG	PIN	D	N/A
DK-621-X639-4S	PLUG	SOCKET	D	N/A
DK-621-X640	JACK	—	D	N/A
DK-621-X640-4P	JACK	PIN	D	N/A
DK-621-X640-4S	JACK	SOCKET	D	N/A

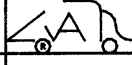
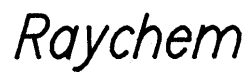
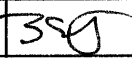
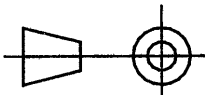
DRAWING No. EXAMPLE: D-621-X633

-0633: .148 MAX. CABLE DIA ACCOMODATION

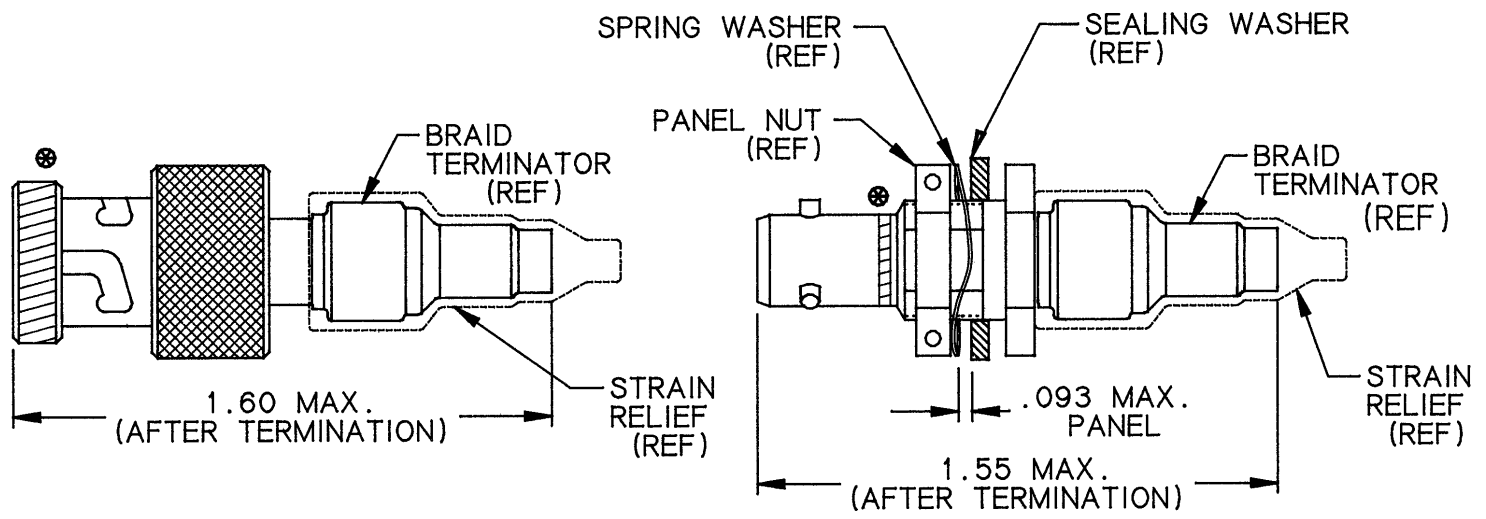
-1633: .180 MAX. CABLE DIA ACCOMODATION

If this document is printed it becomes uncontrolled.  
Check with the web for latest revision.

# SPECIFICATION CONTROL DRAWING © Raychem Corporation 1989

UNLESS OTHERWISE SPECIFIED DIMENSIONS ARE IN INCHES. METRIC DIMENSIONS ARE IN BRACKETS.  DECIMALS .XXX ± NA [ mm] .XX ± NA [ mm] ANGLES .X ± NA WEIGHT lbs [ g]	DRAWN		89-2-28	 RAYCHEM CORPORATION 300 CONSTITUTION DRIVE MENLO PARK, CALIFORNIA 94025	
	CHECKED				
	APPROVED				
	APPROVED		89-3-28		
	CAD NAME	003533-1			
TITLE <b>KITS FOR          D-621-X633/X640          TRIAXIAL CONNECTORS</b>					
THIRD ANGLE PROJECTION 		SIZE <b>A</b>	CODE IDENT. NO. <b>06090</b>	DWG. NO. <b>DK-621-X633/X640-XX</b>	REV <b>NC</b>
DO NOT SCALE THIS DRAWING				SHEET 1 OF 2	





PLUG CONNECTOR ASSEMBLY

JACK CONNECTOR ASSEMBLY

1.0 REFER TO THE FOLLOWING RAYCHEM SPECIFICATION CONTROL DRAWINGS (SCD) FOR INDIVIDUAL COMPONENT DETAILS:

- D-621-X633/X640 CONNECTOR, TRIAXIAL, SUBMINIATURE BAYONET COUPLED. (INCLUDES STRAIN RELIEF AND BRAID TERMINATOR)
- D-602-0126 CONTACT, PIN, TWISTED PAIR
- D-602-0127 CONTACT, SOCKET, TWISTED PAIR

2.0 CONNECTORS ARE QUALIFIED TO RAYCHEM SPECIFICATION D-6025.

3.0 TERMINATION PROCEDURE: RAYCHEM ES 61162.

**If this document is printed it becomes uncontrolled.  
Check with the web for latest revision.**

CAD NAME 003533-2

DRAWN		89-2-28	SIZE <b>A</b>	CODE IDENT. NO. <b>06090</b>	DWG. NO. <b>DK-621-X633/X640-XX</b>	REV <b>NC</b>
ISSUED			DO NOT SCALE THIS DRAWING			SHEET 2 OF 2