

Motherboard - PI-EX-MB-S/16-01-2/D-SUB - 2865214

Please be informed that the data shown in this PDF Document is generated from our Online Catalog. Please find the complete data in the user's documentation. Our General Terms of Use for Downloads are valid (<http://phoenixcontact.com/download>)



Ex i motherboard for accommodating 16 x PI-Ex supply, input or output signal conditioner modules. With interface for connecting to HART multiplexer and D-SUB pin strip for connecting the analog signals to the control system level.



Key Commercial Data

Packing unit	1 pc
GTIN	
GTIN	4046356148696

Technical data

Note

Utilization restriction	EMC: class A product, see manufacturer's declaration in the download area
-------------------------	---

Dimensions

Width	247.7 mm
Height	127.5 mm
Depth	92 mm

Ambient conditions

Ambient temperature (operation)	-20 °C ... 60 °C
Ambient temperature (storage/transport)	-40 °C ... 75 °C

General

Nom. voltage	20 V DC ... 35 V DC (See nominal voltage, PI modules)
Housing insulation material	Polyamide PA non-reinforced, polycarbonate PC, PVC
Flammability rating according to UL 94	V2
Color	green
Conformance	CE-compliant
ATEX	# II (1) GD [EEx ia] IIC

Motherboard - PI-EX-MB-S/16-01-2/D-SUB - 2865214

Technical data

Standards and Regulations

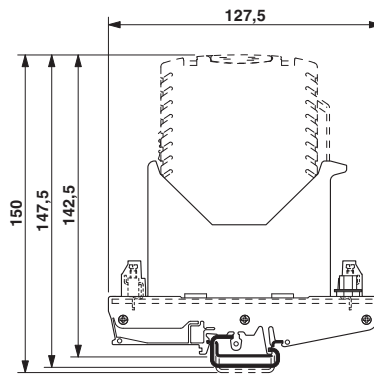
Flammability rating according to UL 94	V2
Conformance	CE-compliant
ATEX	# II (1) GD [EEx ia] IIC

Environmental Product Compliance

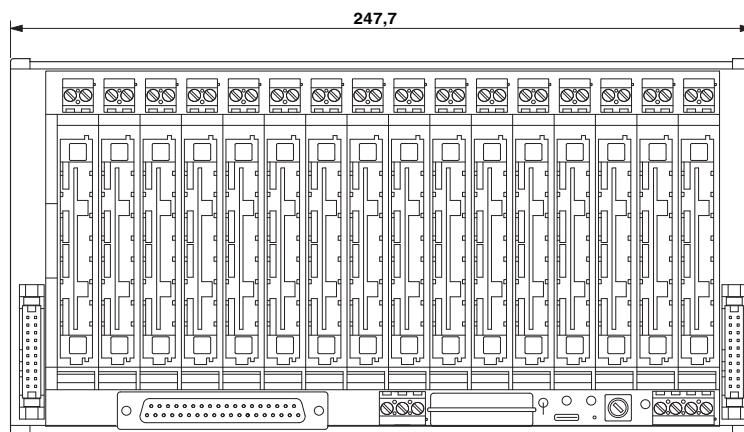
REACH SVHC	Lead 7439-92-1
China RoHS	Environmentally Friendly Use Period = 50
	For details about hazardous substances go to tab "Downloads", Category "Manufacturer's declaration"

Drawings

Dimensional drawing



Dimensional drawing



Approvals

Approvals

Motherboard - PI-EX-MB-S/16-01-2/D-SUB - 2865214

Approvals

Approvals

EAC

Ex Approvals

ATEX / ATEX

Approval details

EAC		RU C- DE.A*30.B.01082
-----	---	--------------------------

Phoenix Contact 2018 © - all rights reserved

<http://www.phoenixcontact.com>

PHOENIX CONTACT GmbH & Co. KG

Flachsmarktstr. 8

32825 Blomberg

Germany

Tel. +49 5235 300

Fax +49 5235 3 41200

<http://www.phoenixcontact.com>