

# Ø 172×150×51 mm

San Ace 172 9E type   

Sidecut type



## General Specifications

- Material ..... Frame: Aluminum, Impeller: Plastic (Flammability: UL 94V-1)
- Expected life ..... See the table below. (L10 life: 90% survival rate for continuous operation in free air at 60°C, rated voltage)
- Motor protection function ..... Locked rotor burnout protection, Reverse polarity protection  
For details, please refer to p. 547.
- Dielectric strength ..... 50/60 Hz, 500 VAC, for 1 minute (between lead wire conductors and frame)
- Insulation resistance ..... 10 MΩ or more with a 500 VDC megger (between lead wire conductors and frame)
- Sound pressure level (SPL) ..... At 1 m away from the air inlet
- Storage temperature ..... -30 to +70°C (Non-condensing)
- Lead wire ..... ⊕Red ⊖Black or Blue (Sensor) Yellow
- Mass ..... 760 g

## Specifications

The models listed below **have pulse sensors**.

| Model no.           | Rated voltage [V] | Operating voltage range [V] | Rated current [A] | Rated input [W] | Rated speed [min <sup>-1</sup> ] | Max. airflow [m <sup>3</sup> /min] [CFM] | Max. static pressure [Pa] [inchH <sub>2</sub> O] | SPL [dB (A)] | Operating temperature [°C] | Expected life [h] |
|---------------------|-------------------|-----------------------------|-------------------|-----------------|----------------------------------|--|--|--------------|----------------------------|-------------------|
| <b>109E5712K501</b> | 12                | 10.2 to 13.8                | 2.9               | 34.8            | 4100                             | 8.5 300                                  | 243.0 0.976                                      | 60           | -20 to +60                 | 40000/60°C        |
| <b>109E5712Y501</b> |                   |                             | 2.3               | 27.6            | 3800                             | 8 282                                    | 210 0.84   | 60           |                            |                   |
| <b>109E5712H501</b> |                   |                             | 1.2               | 14.4            | 3050                             | 6.4 226                                  | 137.2 0.551                                      | 52           |                            |                   |
| <b>109E5712F501</b> |                   |                             | 0.68              | 8.16            | 2500                             | 5.1 180                                  | 95 0.38  | 47           |                            |                   |
| <b>109E5712M501</b> |                   |                             | 0.48              | 5.76            | 2000                             | 4.2 148                                  | 67.6 0.271                                       | 41           |                            |                   |
| <b>109E5724C501</b> | 24                | 20.4 to 27.6                | 2.3               | 55.2            | 4800                             | 9.9 350                                  | 308.0 1.237                                      | 66           | -20 to +70                 |                   |
| <b>109E5724K501</b> |                   |                             | 1.3               | 31.2            | 4100                             | 8.5 300                                  | 243.0 0.976                                      | 60           |                            |                   |
| <b>109E5724H501</b> |                   |                             | 0.58              | 13.92           | 3050                             | 6.4 226                                  | 137.2 0.551                                      | 52           |                            |                   |
| <b>109E5724F501</b> |                   |                             | 0.35              | 8.4             | 2500                             | 5.1 180                                  | 95 0.38  | 47           |                            |                   |
| <b>109E5724M501</b> |                   |                             | 0.2               | 4.8             | 2000                             | 4.2 148                                  | 67.6 0.271                                       | 41           |                            |                   |
| <b>109E5748C501</b> | 48                | 40.8 to 55.2                | 1.2               | 57.6            | 4800                             | 9.9 350                                  | 308.0 1.237                                      | 66           | -20 to +60                 |                   |
| <b>109E5748K501</b> |                   |                             | 0.7               | 33.6            | 4100                             | 8.5 300                                  | 243.0 0.976                                      | 60           |                            |                   |
| <b>109E5748H501</b> |                   |                             | 0.28              | 13.44           | 3050                             | 6.4 226                                  | 137.2 0.551                                      | 52           |                            |                   |
| <b>109E5748F501</b> |                   |                             | 0.19              | 9.12            | 2500                             | 5.1 180                                  | 95 0.38  | 47           |                            |                   |
| <b>109E5748M501</b> |                   |                             | 0.11              | 5.28            | 2000                             | 4.2 148                                  | 67.6 0.271                                       | 41           |                            |                   |

The following sensor and control options are available for selection.

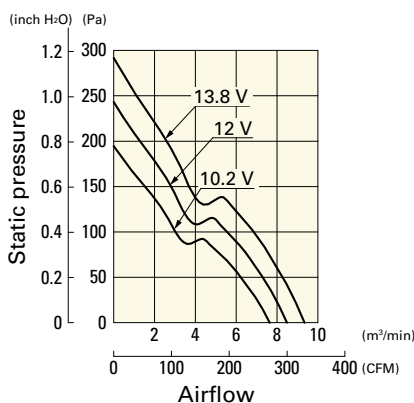
Available for all models. **Without sensor**

Differs according to the model. Refer to the table on p. 562. **Lock sensor** **PWM control**

## Airflow - Static Pressure Characteristics

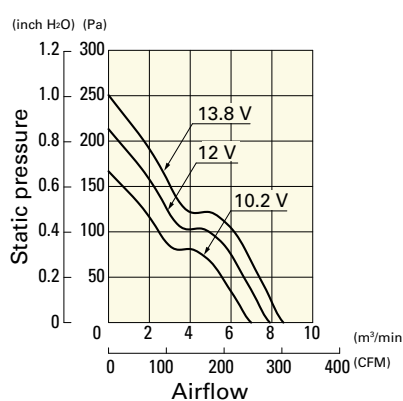
**109E5712K501** With pulse sensor

Operating voltage range



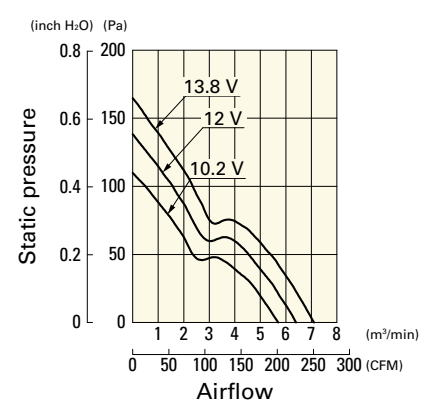
**109E5712Y501** With pulse sensor

Operating voltage range



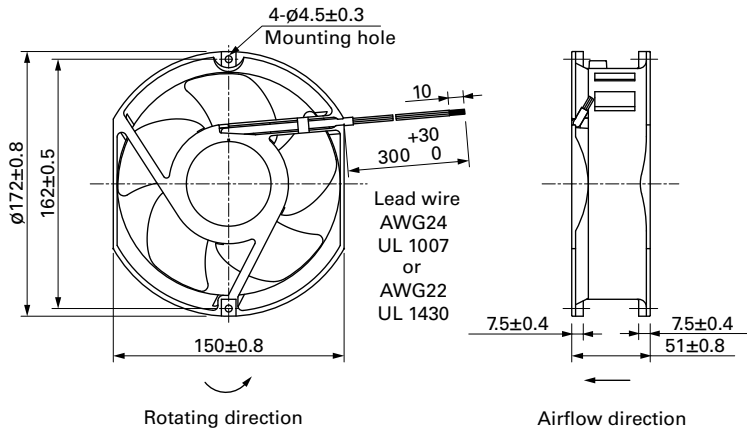
**109E5712H501** With pulse sensor

Operating voltage range

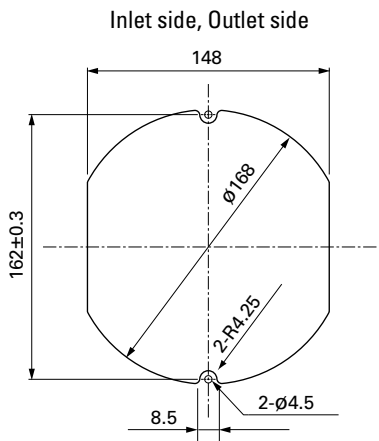




**Dimensions (unit: mm)**



**Reference Dimensions of Mounting Holes and Vent Opening (unit: mm)**



**Options**

Finger guards

page: p. 534

Model no.: 109-319E, 109-319H, 109-320