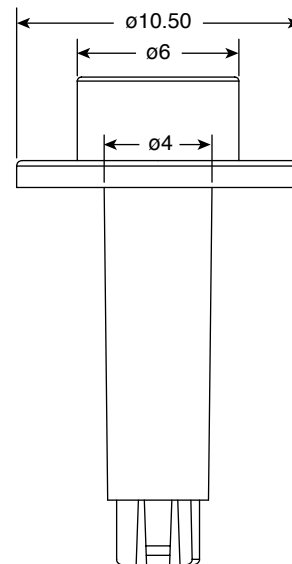
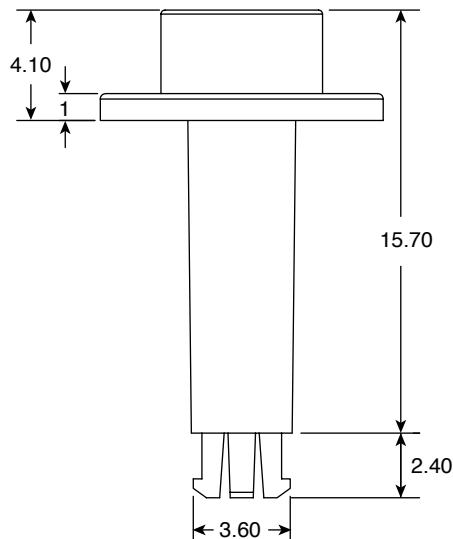
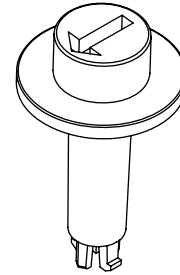
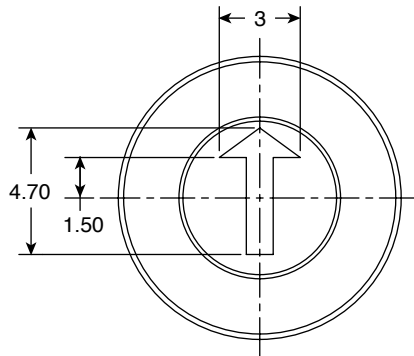


DIMENSIONS: mm



Mechanical Specifications:

- General Tolerances: Max. ± 0.20 mm

Materials:

- Color: Red

Note:

- RoHS Compliant

Rotary Switch Knob
101-KR2R-EV

