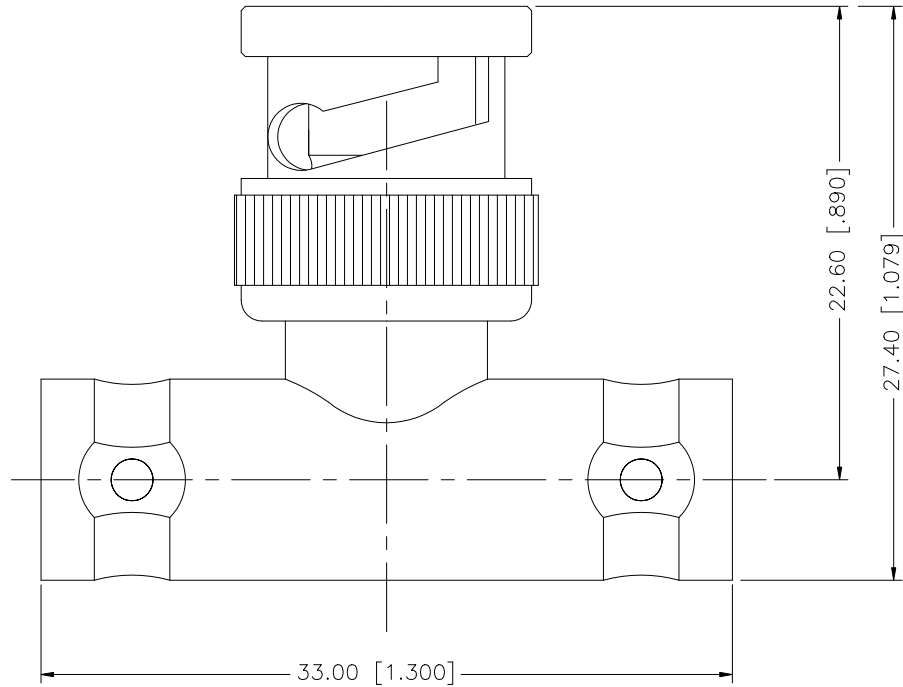


REV.	DATE	DESCRIPTION
NC	05/22/00	INITIAL RELEASE
A	07/16/07	UPDATE DRAWING FORMAT
B	01/09/08	REVISE BODY MATERIAL TO DIECAST, PLATING TO NICKEL



8				<small>UNLESS OTHERWISE SPECIFIED DIMENSIONS ARE IN MILLIMETERS. DIMENSIONS IN [ ] ARE IN INCHES AND FOR CUSTOMER REFERENCE ONLY.</small> <small>UNLESS OTHERWISE SPECIFIED TOLERANCES FOR MILLIMETERS ARE:</small> 0.5 - 8mm ± 0.20mm 8 - 30mm ± 0.40mm 30 - 120mm ± 0.50mm <small>UNLESS OTHERWISE SPECIFIED TOLERANCES FOR INCHES ARE:</small> .020 - .315 = ± 0.007" .315 - 1.180 = ± 0.015" 1.180 - 4.724 = ± 0.020"	APPROVALS	DATE	<h1 style="color: blue;">Amphenol Connex</h1>				
7					DRAWN	G.R.S.					01/09/08
6					CHECKED			<b>PART DESCRIPTION</b> BNC "T" ADAPTER / JACK-PLUG-JACK 50ohm			
5					ISSUED						
4					SHEET	1 OF 1		<b>PART NO.</b> 112461			
3	CONTACT PIN	BRASS	GOLD	1			<b>DWG. NO.</b> 112461.DWG				
2	INSULATOR	DELRIN	NATURAL	1							<b>REV.</b> B <b>SIZE</b> A <b>SCALE</b> NA
1	BODY	DIECAST	NICKEL	1			<b>CAD FILE</b> C:/112/112461.DWG				
	DESCRIPTION	MATERIAL	FINISH	QTY	DO NOT SCALE DRAWING						