

THIS DRAWING IS UNPUBLISHED.

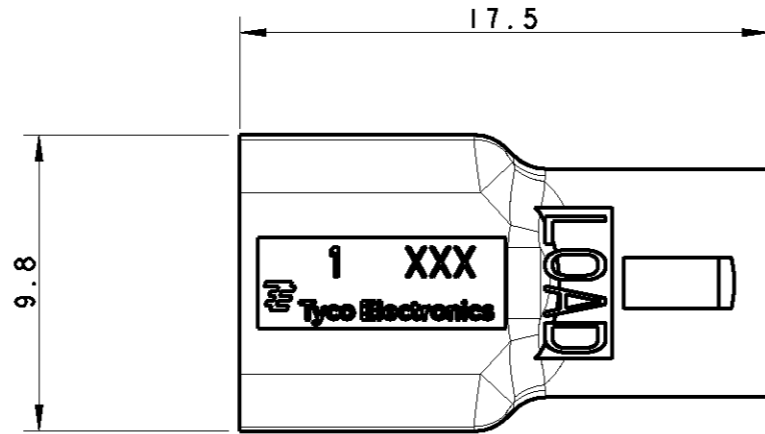
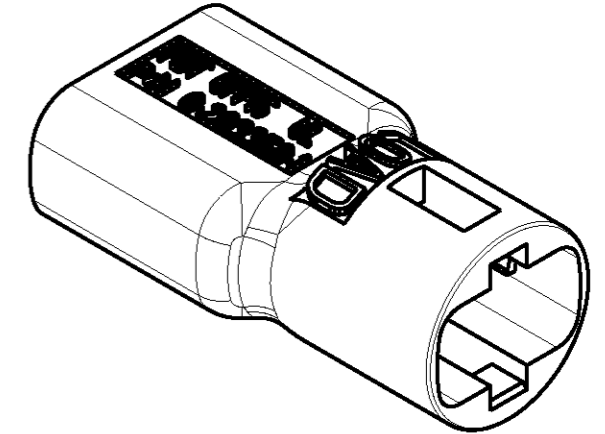
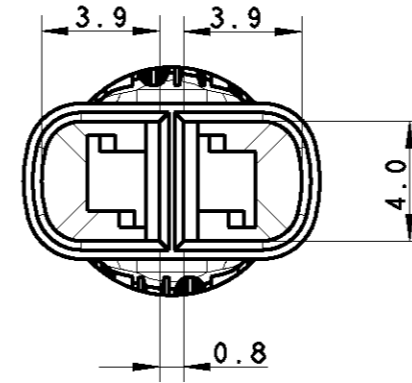
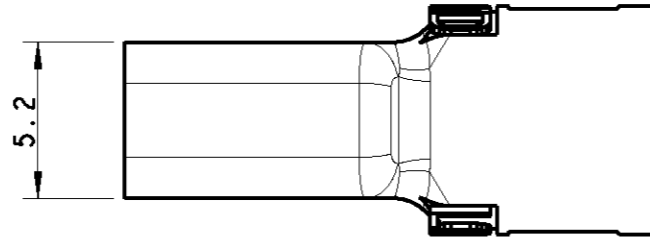
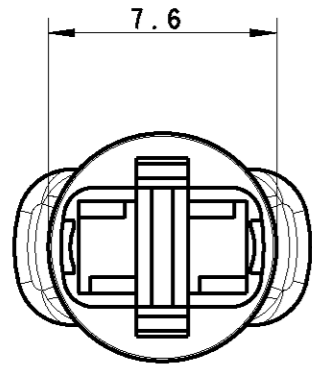
RELEASED FOR PUBLICATION

20

© COPYRIGHT 20 Tyco Electronics AMP GmbH


ALL RIGHTS RESERVED.

LOC	DIST	REVISIONS			
P	LTR	DESCRIPTION	DATE	DWN	APVD
1	-	B	ADDED LOAD MARKS	07JUL2011	AV GT



1. Space inside designed for cable type SPT - 2 2xAWG18
2. Counterparts see drawings for PN 293387 and 293388

WHITE	PBT GF15% UL94 V0	0-293358-1	B
COLOUR	MATERIAL	TE P/N	REV

THIS DRAWING IS A CONTROLLED DOCUMENT.		DWN A. Vecchia IIFEB2009	 TE Connectivity		
DIMENSIONS: mm		CHK G. Turco IIFEB2009			
TOLERANCES UNLESS OTHERWISE SPECIFIED:		APVD G. Turco IIFEB2009	NAME 7.5mm MiniHVL Connector System TUBE for SPT-2 cable		
0 PLC ±0.3 1 PLC ±0.3 2 PLC ±0.3 3 PLC ±0.3 4 PLC ±0.3 ANGLES ±°		PRODUCT SPEC -	RESTRICTED TO -		
MATERIAL SEE TABLE		APPLICATION SPEC -	SIZE A3	CAGE CODE 00779	DRAWING NO C-293358
FINISH -		WEIGHT 0.40g	SCALE 4:1 SHEET 1 OF 1 REV B		
CUSTOMER DRAWING					