

MASM-14 Features and Benefits



Features

- Sub-miniature, surface mount normally open switch
- 14mm x 2.28mm (0.551" x 0.090") glass envelope
- Capable of switching 200 Vdc at up to 10 Watts
- Switching current up to 0.5 Amps
- Low close/open hysteresis (close differential)
- 10¹⁰ Ohms insulation resistance
- RoHS compliant

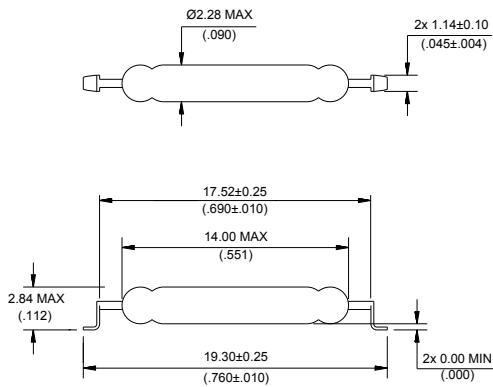
Benefits

- Hermetically sealed switch contacts are not affected by and have no effect on their external environment
- No minimum switching voltage or current
- Low, stable contact resistance
- Zero operating power required for contact closure
- Fit and forget durability

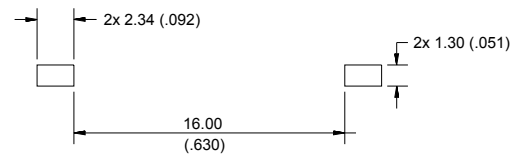
Applications


- Position Sensing
- Proximity Sensing
- Sensing Float Position for Liquid Level
- Industrial Controls
- Office Equipment
- Home Appliances

DIMENSIONS mm (inch)



RECOMMENDED LAND PATTERN



SWITCH TYPE		MASM-14	
Contact Form		A (SPST-NO)	
Certifications		File Numbers	E47258, E471070
ELECTRICAL RATINGS			
Contact Power Rating (2)		W / VA - max.	10
Voltage	Switching	Vdc - max.	200
	Breakdown	Vac - max. Vdc - min.	140 200
Current	Switching	Adc - max.	0.50
	Carry	Aac - max. Adc - max.	0.35 1.00
Resistance	Contact, Initial Insulation	Ω - max. Ω - min.	0.100 10 ¹⁰
Capacitance	Contact	pF - typ.	0.3
Temperature	Operating Storage (6)	°C	-40 to +125
		°C	-65 to +125
OPERATING CHARACTERISTICS			
Operate Time (3)		ms - max.	0.6
Release Time (3)		ms - max.	0.2
Shock	11ms ½ sine wave	G - max.	100
Vibration	50-2000 Hertz	G - max.	30
Resonant Frequency		Hz - typ.	5300
MAGNETIC CHARACTERISTICS			
Pull-In Range (4)		Ampere Turns	10-30
Drop-out		Ampere Turns - min.	5
Rating Sensitivity (5)		Ampere Turns	20
Test Coil			L4989

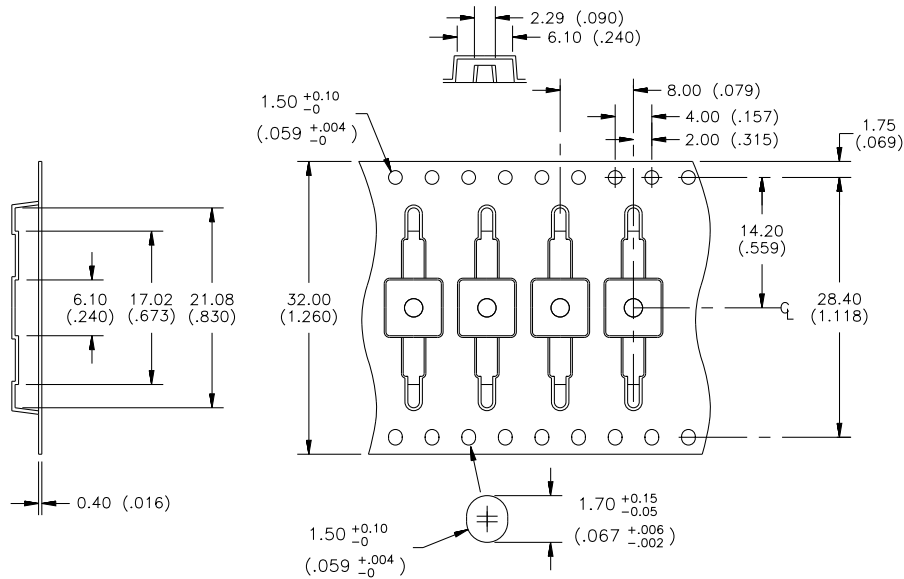
Notes:

1. For details on electrical specifications, contact Littelfuse / Hamlin.
2. Contact Power Rating - Product of the switching voltage and current should never exceed this rating.
3. Operate (including Bounce) and Release Time - per EIA/NARM RS421A, diode suppressed coil.
4. Pull-In Range - Contact Littelfuse / Hamlin for tolerances available within this range.
5. Rating Sensitivity - The value at which contact ratings and operating characteristics are determined. Derating may be required below this value.
6. Storage Temperature - Long term exposure at elevated temperature may degrade solderability of leads.

MASM-14 Reed Switch

Packaging: Tape and Reel - 3,000 per Reel

TAPE DIMENSIONS mm (inch)



REEL DIMENSIONS mm (inch)

