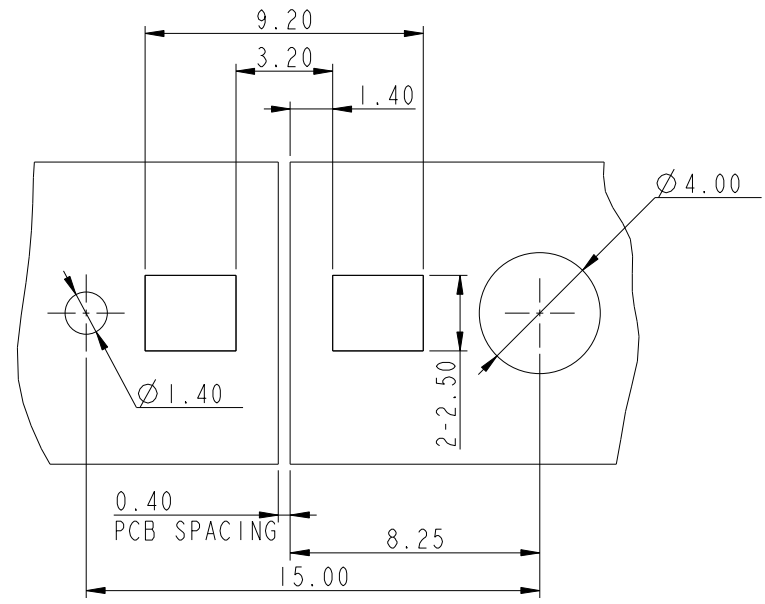
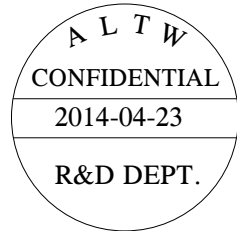
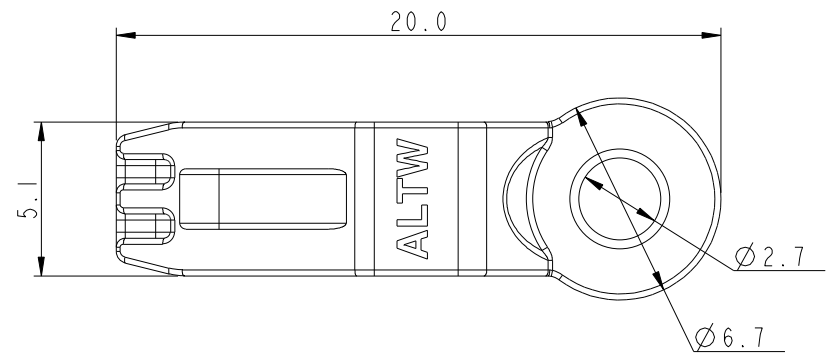
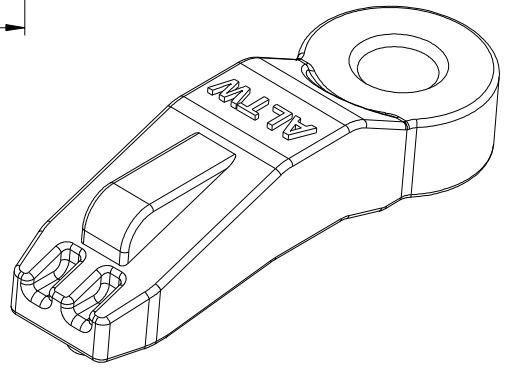
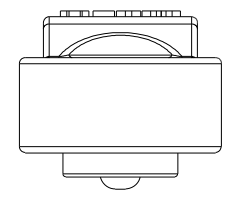
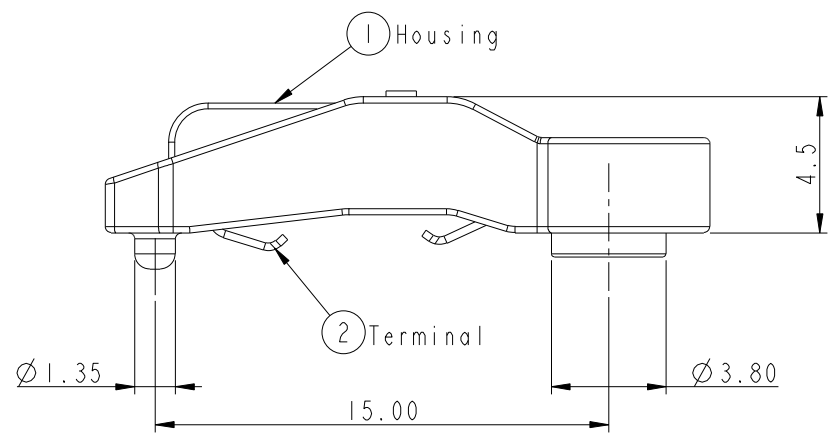


THIS DOCUMENT IS SUBJECT TO CHANGE WITHOUT NOTICE. IT IS CONFIDENTIAL AND A PROPERTY OF Amphenol LTW. DISCLOSURE TO THIRD PARTY HAS TO BE AUTHORIZED BY Amphenol LTW.

REV.	ECN NO.	DATE	SIGN	DESCRIPTION
A	Initial Release	2014-04-23	Fisher	Initial Release



Recommended PCB Layout
Tolerance is ±0.05



Notes

- * (CC) Important Dimension To Check.
- * Housing: Thermoplastic, UL94V-0, White.
- * Terminal: Copper Alloy, Gold flash on contact area, Nickel Plated overall.
- * Operating temperature: -40°C ~ +105°C.
- * Working Voltage: 500V DC/AC maximum.
- * Working Current: 5A DC/AC maximum.
- * Accepts screw: M2.5 X 0.45
- * RoHS Compliant.
- * Package: Tube

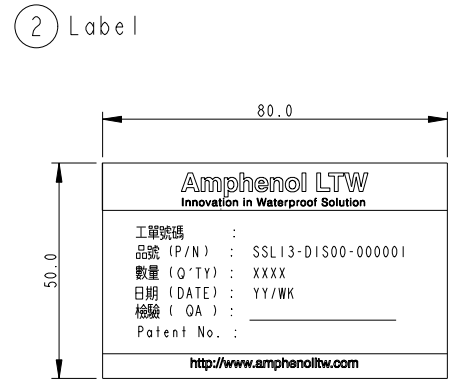
UNIT: mm	
TOLERANCE	
.X	±0.25
.XX	±0.1
.XXX	±0.05
ANGLES	±1°

TITLE SSL1.3 Mini Jumper Connector			
SCALE 4:1	SIZE A4	SHEET 1 OF 2	
REV. A	WC-REV. A.3	QC: Inspection item	

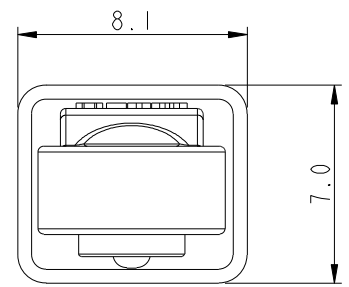
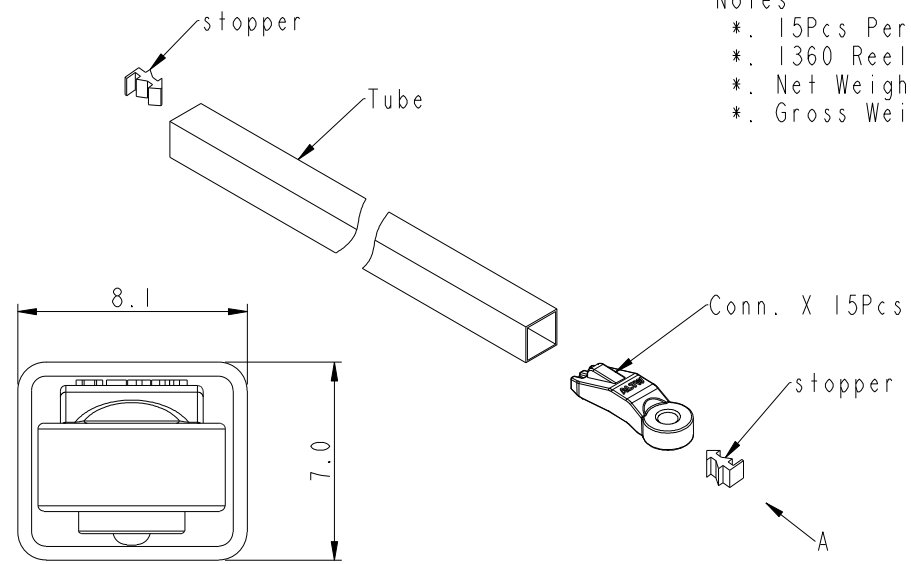
Amphenol LTW
安費諾亮泰企業股份有限公司

ITEM NO. SSL13-DIS00-000001	DRAWN BY Fisher_Wang	DATE 2014-04-23
DWG NO. SSL13-DIS00-000001	CHECKED BY Ivan_Lin	DATE 2014-04-23
CUSTOMER ALTW	APPROVED BY Kevin_Hu	DATE 2014-04-23

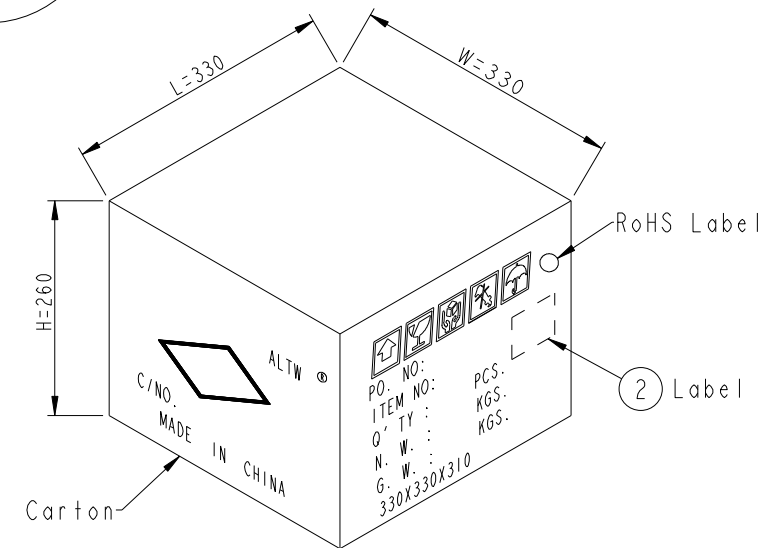
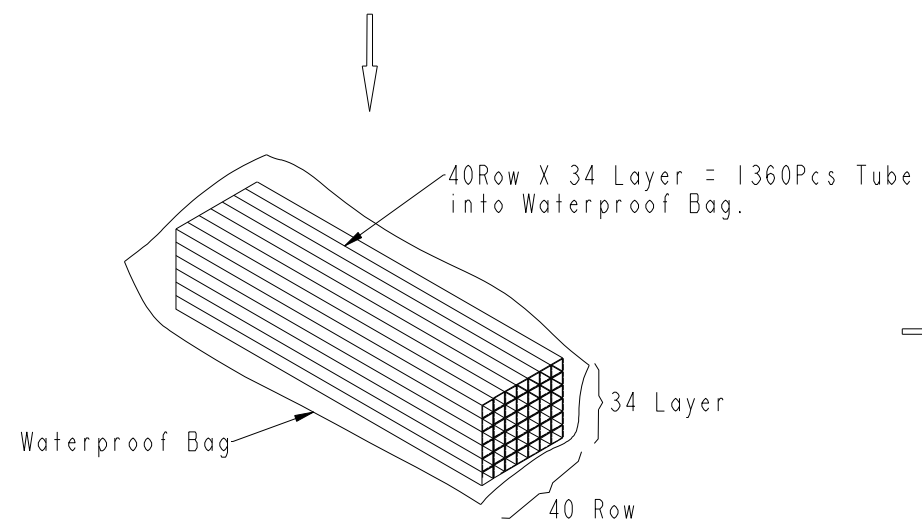
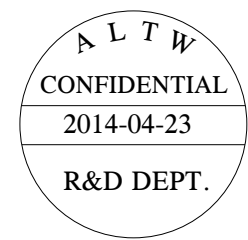
THIS DOCUMENT IS SUBJECT TO CHANGE WITHOUT NOTICE. IT IS CONFIDENTIAL AND A PROPERTY OF Amphenol LTW. DISCLOSURE TO THIRD PARTY HAS TO BE AUTHORIZED BY Amphenol LTW.



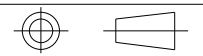
Notes
 *. 15Pcs Per Tube
 *. 1360 Reel Per Carton (20400Pcs/Carton)
 *. Net Weight: 10.8Kg/Carton.
 *. Gross Weight: 16.4Kg/Carton.



View A



UNIT: mm



TITLE SSL1.3 Package			
SCALE 4:1	SIZE A4	SHEET 2 OF 2	
REV. A	WC-REV. A.3	QC: Inspection item	

Amphenol LTW
 安費諾亮泰企業股份有限公司

ITEM NO. SSL13-DIS00-000001	DRAWN BY Fisher_Wang	DATE 2014-04-23
DWG NO. SSL13-DIS00-000001	CHECKED BY Ivan_Lin	DATE 2014-04-23
CUSTOMER ALTW	APPROVED BY Kevin_Hu	DATE 2014-04-23

A