

CASE FINISH	CURRENT (AMPS)	WORKING VOLTAGE				MAXIMUM DC RESISTANCE (OHMS)	MAXIMUM VOLTAGE DROP		MINIMUM CAPACITANCE (uF)	MIN. INSERTION LOSS PER MIL-STD-220, FULL LOAD, +25°C												
		-55°C TO +85°C		-55°C TO +125°C			DC	AC		14 KHz	30 KHz	50 KHz	75 KHz	100 KHz	150 KHz	300 KHz	500 KHz	1 MHz	10 MHz	100 MHz	1 GHz	10 GHz
		AC	DC	AC	DC					--	--	--	--	--	14	20	--	31	40	56	70	--
SOLDER	15	--	--	--	150	0.008	0.12	--	0.25 uF	--	--	--	--	--	14	20	--	31	40	56	70	--

PART MARKING:

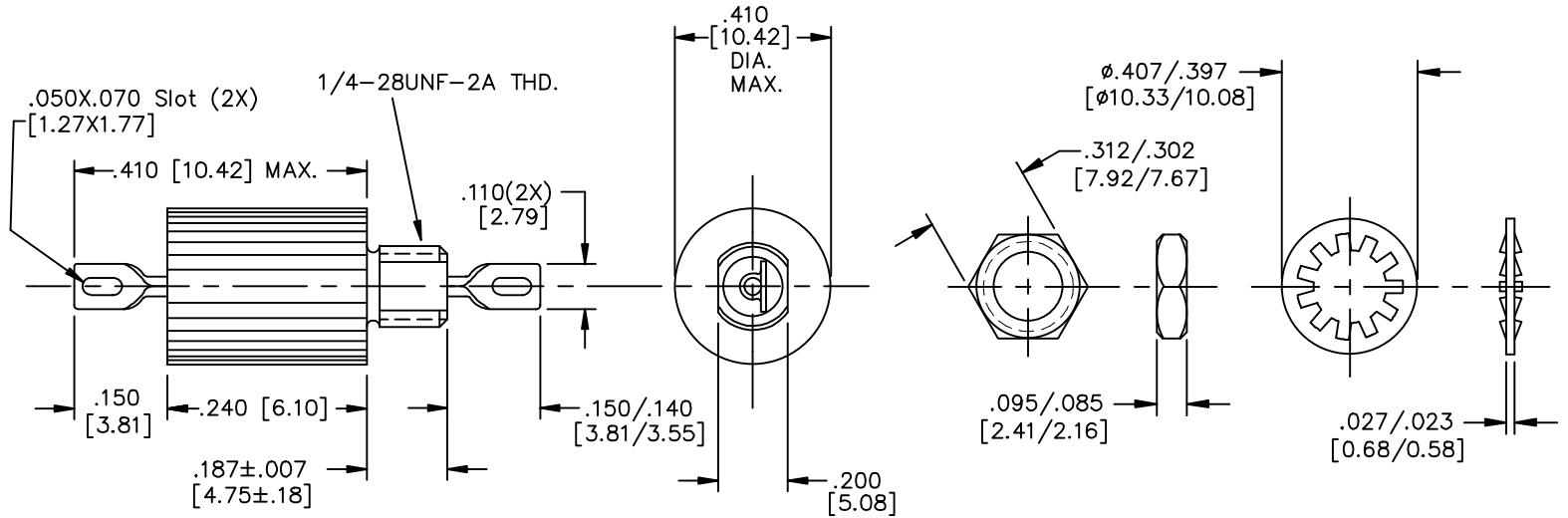
J M28861/01-007TB
L OLSP2 DATE CODE

PACKAGE MARKING:

J M28861/01-007TB
OLSP2 DATE CODE
150Vdc 15AMP 51-359-084
QTY

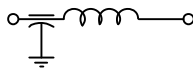
MARKING NOTES:

N/A



MTG. HARDWARE

SCHEMATIC



THIS PART IS CODED "NCA".
API TECHNOLOGIES, INC. DOES NOT
HAVE CHANGE AUTHORITY.
CUSTOMER APPROVAL REQUIRED
BEFORE PRODUCT/PROCESS
CHANGES CAN BE MADE.

NOTES:

1) MOUNTING TORQUE NOT TO EXCEED 7in-lbs.

REV. NO.	CHANGE NOTICE	UNLESS OTHERWISE SPECIFIED DIMENSIONS ARE IN INCHES [MILLIMETERS]	TOLERANCES UNLESS OTHERWISE SPECIFIED	api technologies corp.	FAIRVIEW PENNSYLVANIA
38	ENG 63379	DO NOT SCALE	Fractions ±	Dwn. MAYNARD	Description Low Pass EMI Filter
37	CPD 20281		Dec. .xx±		
36	198728		Dec. .xxx±.010	Engr. K.Wood	
35	190147		Angles ±0° 30'		Sheet 1 of 1
34	187541		THIRD ANGLE PROJECTION	51-359-084	
33	186058				
32	182961				

Quality Products From The Specialists In Electro-Magnetic Compatibility